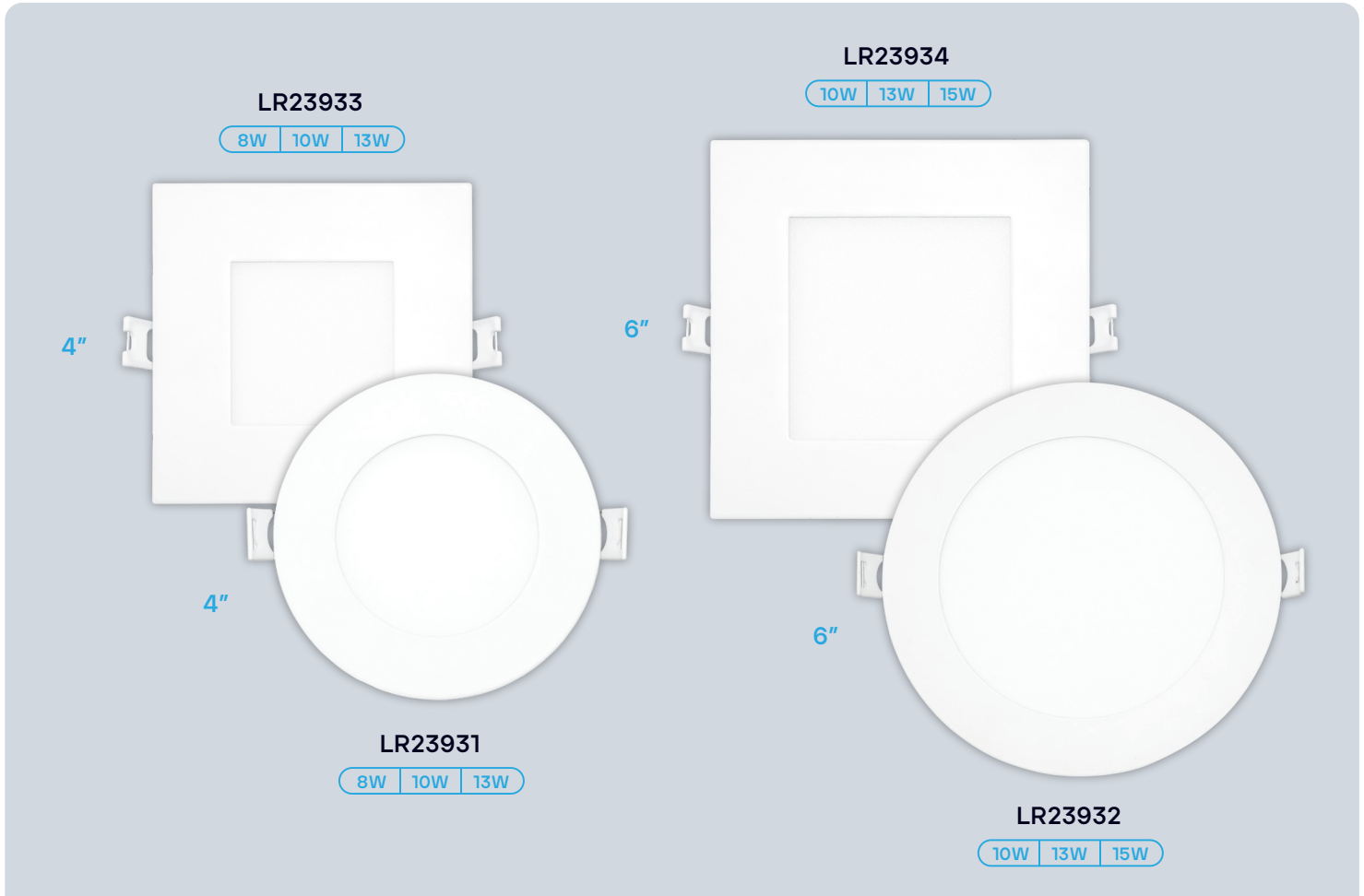


LED CANLESS SPOTLIGHT

HIGH OUTPUT MINI PANEL - CCT & WATTAGE SELECTABLE

UNIVERSAL VOLTAGE/DUAL DIMMING

4", 6"



CRI 90 | **COLOR SELECTABLE** (2700K, 3000K, 3500K, 4000K, 5000K) | **WATTAGE SELECTABLE** (3 OPTIONS) | **HIGH OUTPUT** | **DUAL DIMMING TRIAC 0-10V** | **IC RATED** | **WET LOCATION RATED** | **120-277V** | **5 YEAR WARRANTY**

ELECTRICAL

	MODEL	DESCRIPTION	POWER	LUMENS	EFFICACY	INPUT VOLTS	DIMMABLE	LIFETIME	COST/YR
4"	ROUND	LR23931	8	650	82	120-277V	TRIAC/0-10V	50,000	\$ 1.56
			10	800					
			13	1066					
4"	SQUARE	LR23933	8	650	82	120-277V	TRIAC/0-10V	50,000	\$ 1.56
			10	800					
			13	1066					

ELECTRICAL

	MODEL	DESCRIPTION	POWER	LUMENS	EFFICACY	INPUT VOLTS	DIMMABLE	LIFETIME	COST/YR
6" ROUND	LR23932	LED/MINI6/PNL/3WO/5CCT/RD/UNV/DD	10	800	82	120-277V	TRIAC/0-10V	50,000	\$ 1.80
			13	1050					
			15	1250					
6" SQUARE	LR23934	LED/MINI6/PNL/3WO/5CCT/SQ/UNV/DD	10	800	82	120-277V	TRIAC/0-10V	50,000	\$ 1.80
			13	1050					
			15	1250					

PHOTOMETRIC

MODEL	DESCRIPTION	COLOR (CCT)	TEMP	FLOOD*	CRI	ETL	PLATE (KNOCKOUT)
LR23931	LED/MINI4/PNL/3WO/5CCT/RD/UNV/DD	2700K/3000K/3500K/4000K/5000K	CCT SELECT	105°	90	YES	LR41002 (#1) LR41006 (#3) LR41010 (R1)
LR23933	LED/MINI4/PNL/3WO/5CCT/SQ/UNV/DD	2700K/3000K/3500K/4000K/5000K	CCT SELECT	105°	90	YES	LR41002 (#1) LR41006 (#3) LR41010 (R1)
LR23932	LED/MINI6/PNL/3WO/5CCT/RD/UNV/DD	2700K/3000K/3500K/4000K/5000K	CCT SELECT	105°	90	YES	LR41002 (#2) LR41010 (R3)
LR23934	LED/MINI6/PNL/3WO/5CCT/SQ/UNV/DD	2700K/3000K/3500K/4000K/5000K	CCT SELECT	105°	90	YES	LR41002 (#2) LR41006 (#5) LR41010 (R3)

COMPATIBILITY

COMPATIBLE WITH:

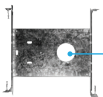
LR35126

Emergency LED Driver



LR41002

New Construction Mounting Plate

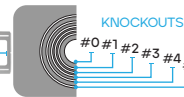
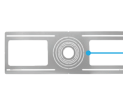


KNOCKOUT SIZE

#0	Ø3.14" (Ø80 mm)
#1	Ø4.33" (Ø110 mm)
#2	Ø6.29" (Ø160 mm)

LR41006

New Construction Mounting Plate



KNOCKOUT SIZE

#0	Ø2.12" (Ø54 mm)
#1	Ø3.15" (Ø80 mm)
#2	Ø3.75" (Ø95 mm)
#3	Ø4.25" (Ø108 mm)
#4	Ø5.25" (Ø132 mm)
#5	Ø6.25" (Ø159 mm)

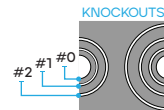
LR41010

New Construction Mounting Plate



KNOCKOUT SIZE

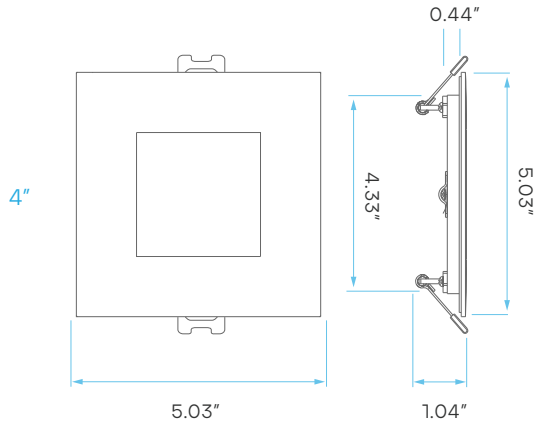
#L0	Ø2.12" (Ø54 mm)
#L1	Ø2.83" (Ø72 mm)
#L2	Ø3.75" (Ø95mm)



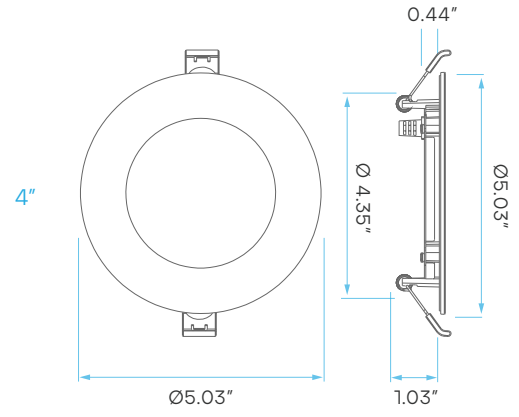
KNOCKOUT SIZE

#R0	Ø3.25" (Ø82 mm)
#R1	Ø4.33" (Ø110 mm)
#R2	Ø5.25" (Ø132mm)
#R3	Ø6.25" (Ø160 mm)

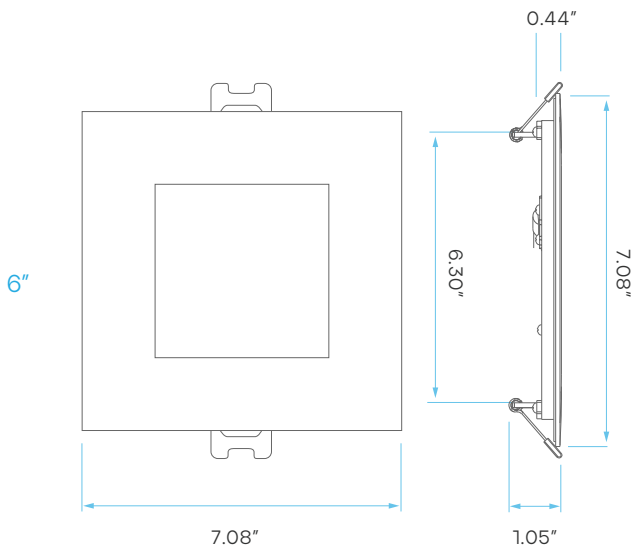
DIMENSIONS



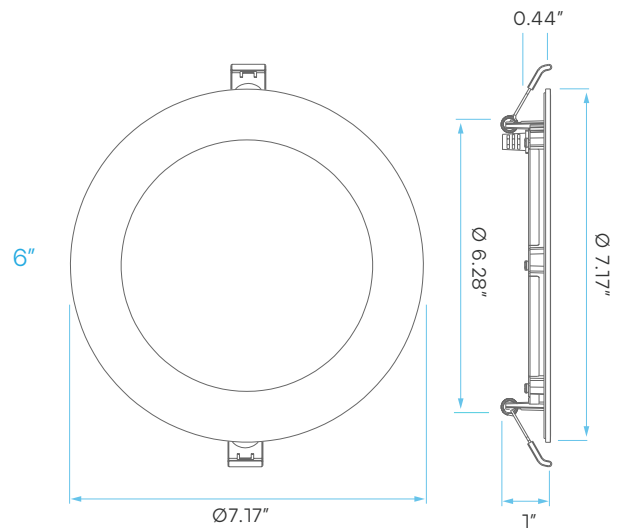
CUTOUT: Ø 4.3"



CUTOUT: Ø 4.3"



CUTOUT: Ø 6.3"



CUTOUT: Ø 6.3"