

LED SURFACE MOUNT DISK LIGHT + RECESSED CAN RETROFIT 4", 6", 8"



4"

CRI 90



6"

CRI 80



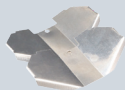
8"

CRI 80

RETROFIT KIT INCLUDED



E26 ADAPTER



BUTTERFLY CLIP



4" MOUNTING BRACKET

RETROFIT KIT INCLUDED



E26 ADAPTER



6" CAN ADAPTER

COLOR SELECTABLE

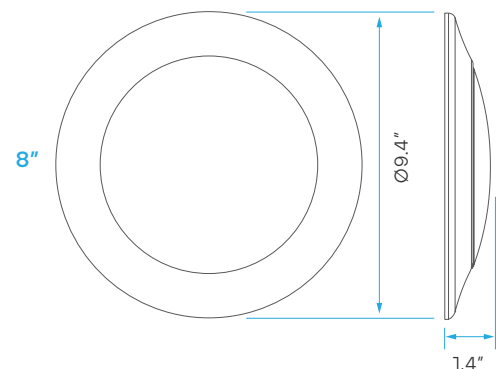
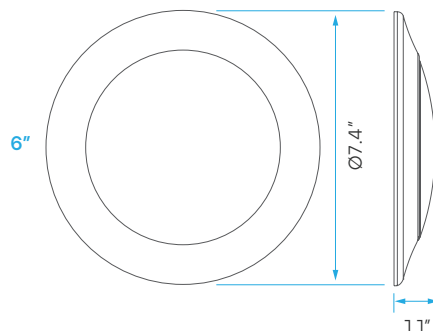
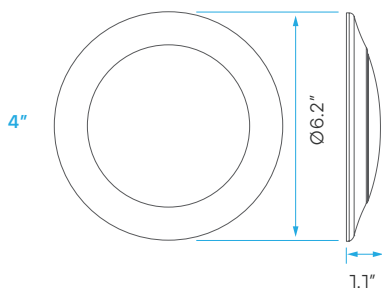
2700K 3000K 3500K 4000K 5000K

DIMMABLE

TRIAC

WET LOCATION RATED

3 YEAR WARRANTY



ELECTRICAL

	MODEL	DESCRIPTION	POWER	INPUT VOLTS	EFFICACY	LIFETIME	COST/YR
4"	LR23861	LED10/DISK4/5CCT/RD	10	120V	60	50,000	\$ 1.20
6"	LR23863	LED15/DISK6/5CCT/RD	15	120V	67	50,000	\$ 1.81
8"	LR23865	LED27/DISK8/5CCT/RD	27	120V	74	50,000	\$ 3.25

PHOTOMETRIC

MODEL	DESCRIPTION	COLOR (CCT)	TEMP	LUMEN	FLOOD	CRI	ETL LISTED
LR23861	LED10/DISK4/5CCT/RD	2700K/3000K/3500K/4000K/5000K	CCT SELECT	600	110°	90	YES
LR23863	LED15/DISK6/5CCT/RD	2700K/3000K/3500K/4000K/5000K	CCT SELECT	1000	110°	80	YES
LR23865	LED27/DISK8/5CCT/RD	2700K/3000K/3500K/4000K/5000K	CCT SELECT	2000	110°	80	YES