

LED SPOTLIGHT-CANLESS REGRESSED MINI PANEL - CCT SELECTABLE 2", 3", 4", 5", 6"



CRI 80

COLOR SELECTABLE
2700K 3000K 3500K 4000K 5000K

DIMMABLE
TRIAC

HIGH OUTPUT

IC RATED

WET LOCATION RATED

5 YEAR WARRANTY

COMPATIBLE WITH:

LR35126
Emergency LED Driver

COMPATIBLE WITH:
2" - LR22628, LR22637
3" - LR22630, LR22638
4" - LR22632, LR22640

LR35124
Emergency LED Driver

COMPATIBLE WITH:
5" - LR22634, LR22642
6" - LR22636, LR22644

LR41002
New Construction Mounting Plate

KNOCKOUTS

Knockout #	Knockout Size
#0	Ø3.14" (Ø80 mm)
#1	Ø4.33" (Ø110 mm)
#2	Ø6.29" (Ø160 mm)

LR41004
New Construction Mounting Plate

KNOCKOUTS

Knockout #	Knockout Size
#0	Ø2.125" (Ø54 mm)
#1	Ø2.83" (Ø72 mm)
#2	Ø3.75" (Ø95 mm)
#3	Ø5.19" (Ø132 mm)

LR41010
New Construction Mounting Plate

KNOCKOUT SIZE

Knockout #	Knockout Size
#L0	Ø2.12" (Ø54 mm)
#L1	Ø2.83" (Ø72 mm)
#L2	Ø3.75" (Ø95 mm)

KNOCKOUTS

Knockout #	Knockout Size
#R0	Ø3.25" (Ø82 mm)
#R1	Ø4.33" (Ø110 mm)
#R2	Ø5.25" (Ø132 mm)
#R3	Ø6.25" (Ø160 mm)

LR41006
New Construction Mounting Plate

KNOCKOUTS

Knockout #	Knockout Size
#0	Ø2.12" (Ø54 mm)
#1	Ø3.15" (Ø80 mm)
#2	Ø3.75" (Ø95 mm)
#3	Ø4.25" (Ø108 mm)
#4	Ø5.25" (Ø132 mm)
#5	Ø6.25" (Ø159 mm)

ELECTRICAL

	MODEL	DESCRIPTION	POWER	INPUT VOLTS	EFFICACY	FLOOD*	DIMMABLE	LIFETIME	COST/YR	
ROUND	2"	LR22628	LEDRMP2/HO/5CCT/RD/WT/D	8	120V	82	100°	TRIAC	50,000	\$ 0.96
	3"	LR22630	LEDRMP3/HO/5CCT/RD/WT/D	10	120V	80	100°	TRIAC	50,000	\$ 1.20
	4"	LR22632	LEDRMP4/HO/5CCT/RD/WT/D	15	120V	87	100°	TRIAC	50,000	\$ 1.80
	5"	LR22634	LEDRMP5/HO/5CCT/RD/WT/D	18	120V	89	100°	TRIAC	50,000	\$ 2.16
	6"	LR22636	LEDRMP6/HO/5CCT/RD/WT/D	18	120V	100	100°	TRIAC	50,000	\$ 2.16
SQUARE	2"	LR22637	LEDRMP2/HO/5CCT/SQ/WT/D	8	120V	82	100°	TRIAC	50,000	\$ 0.96
	3"	LR22638	LEDRMP3/HO/5CCT/SQ/WT/D	10	120V	80	100°	TRIAC	50,000	\$ 1.20
	4"	LR22640	LEDRMP4/HO/5CCT/SQ/WT/D	15	120V	87	100°	TRIAC	50,000	\$ 1.80
	5"	LR22642	LEDRMP5/HO/5CCT/SQ/WT/D	18	120V	89	100°	TRIAC	50,000	\$ 2.16
	6"	LR22644	LEDRMP6/HO/5CCT/SQ/WT/D	18	120V	100	100°	TRIAC	50,000	\$ 2.16

PHOTOMETRIC

MODEL	DESCRIPTION	COLOR (CCT)	TEMP	LUMEN	CRI	ETL	ENERGY STAR	PLATE (KNOCKOUT)
LR22628	LEDRMP2/HO/5CCT/RD/WT/D	2700K/3000K/3500K/4000K/5000K	CCT SELECT	660	80	YES	YES	LR41004 #0 LR41006 #0 LR41010 L0
LR22630	LEDRMP3/HO/5CCT/RD/WT/D	2700K/3000K/3500K/4000K/5000K	CCT SELECT	800	80	YES	YES	LR41002 #0 LR41006 #1 LR41010 R0
LR22632	LEDRMP4/HO/5CCT/RD/WT/D	2700K/3000K/3500K/4000K/5000K	CCT SELECT	1300	80	YES	YES	LR41002 #1 LR41006 #3 LR41010 R1
LR22634	LEDRMP5/HO/5CCT/RD/WT/D	2700K/3000K/3500K/4000K/5000K	CCT SELECT	1600	80	YES	YES	LR41002 #2 LR41006 #5 LR41010 R3
LR22636	LEDRMP6/HO/5CCT/RD/WT/D	2700K/3000K/3500K/4000K/5000K	CCT SELECT	1800	80	YES	YES	LR41002 #2 LR41006 #5 LR41010 R3
LR22637	LEDRMP2/HO/5CCT/SQ/WT/D	2700K/3000K/3500K/4000K/5000K	CCT SELECT	660	80	YES	YES	LR41004 #0 LR41006 #0 LR41010 L0
LR22638	LEDRMP3/HO/5CCT/SQ/WT/D	2700K/3000K/3500K/4000K/5000K	CCT SELECT	800	80	YES	YES	LR41002 #0 LR41006 #1 LR41010 R0
LR22640	LEDRMP4/HO/5CCT/SQ/WT/D	2700K/3000K/3500K/4000K/5000K	CCT SELECT	1300	80	YES	YES	LR41002 #1 LR41006 #3 LR41010 R1
LR22642	LEDRMP5/HO/5CCT/SQ/WT/D	2700K/3000K/3500K/4000K/5000K	CCT SELECT	1600	80	YES	YES	LR41002 #2 LR41006 #5 LR41010 R3
LR22644	LEDRMP6/HO/5CCT/SQ/WT/D	2700K/3000K/3500K/4000K/5000K	CCT SELECT	1800	80	YES	YES	LR41002 #2 LR41006 #5 LR41010 R3

TRIM REPLACEMENT OPTION

*SOLD SEPARATELY



3"
BLACK FINISH

LR22650

LEDRMP3/HO/5CCT/TRIM/RD/BK



4"
BLACK FINISH

LR22652

LEDRMP4/HO/5CCT/TRIM/RD/BK



5"
BLACK FINISH

LR22654

LEDRMP5/HO/5CCT/TRIM/RD/BK

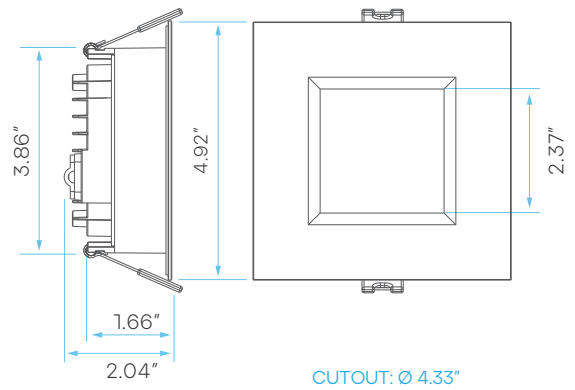
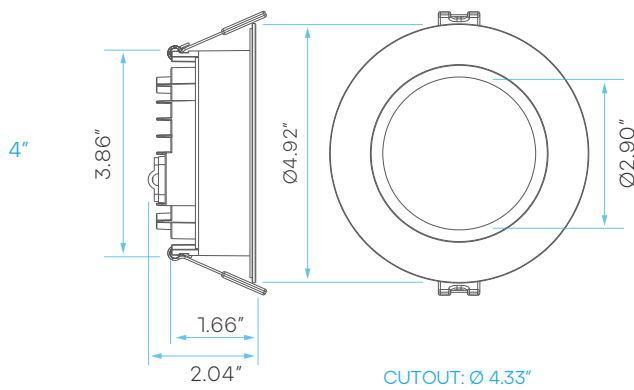
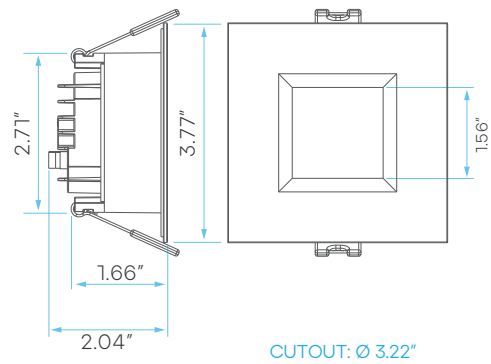
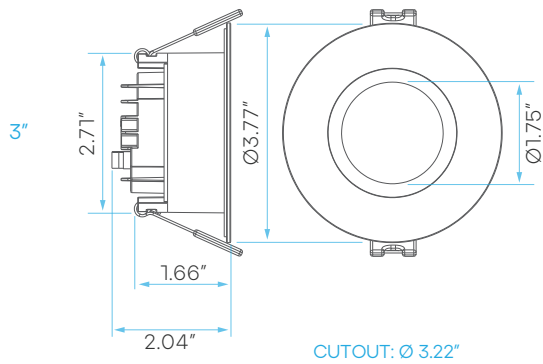
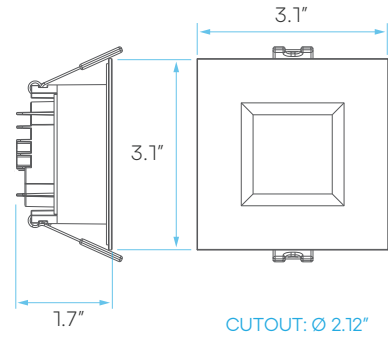
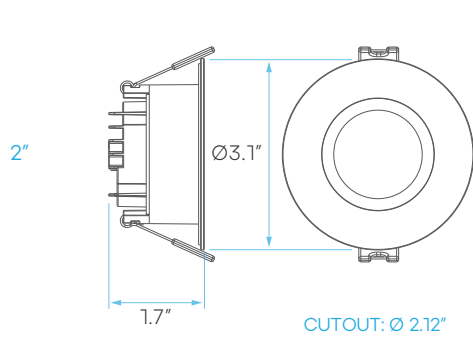


6"
BLACK FINISH

LR22656

LEDRMP6/HO/5CCT/TRIM/RD/BK

DIMENSIONS



DIMENSIONS

