

H-TRACK SYSTEM ZOOMABLE LED HEAD - 5 CCT SELECTABLE 2", 2.5", 3"



TRACKRITE



90° TILT

358° ROTATION

ZOOMABLE LENS
20°-50° BEAM SPREAD

ZOOMABLE LENS
20°-50° BEAM SPREAD

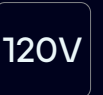


UNIVERSAL COMPONENTS AVAILABLE*



COLOR SELECTABLE

2700K 3000K 3500K 4000K 5000K



*ALL ACCESSORIES ARE SOLD SEPARATELY

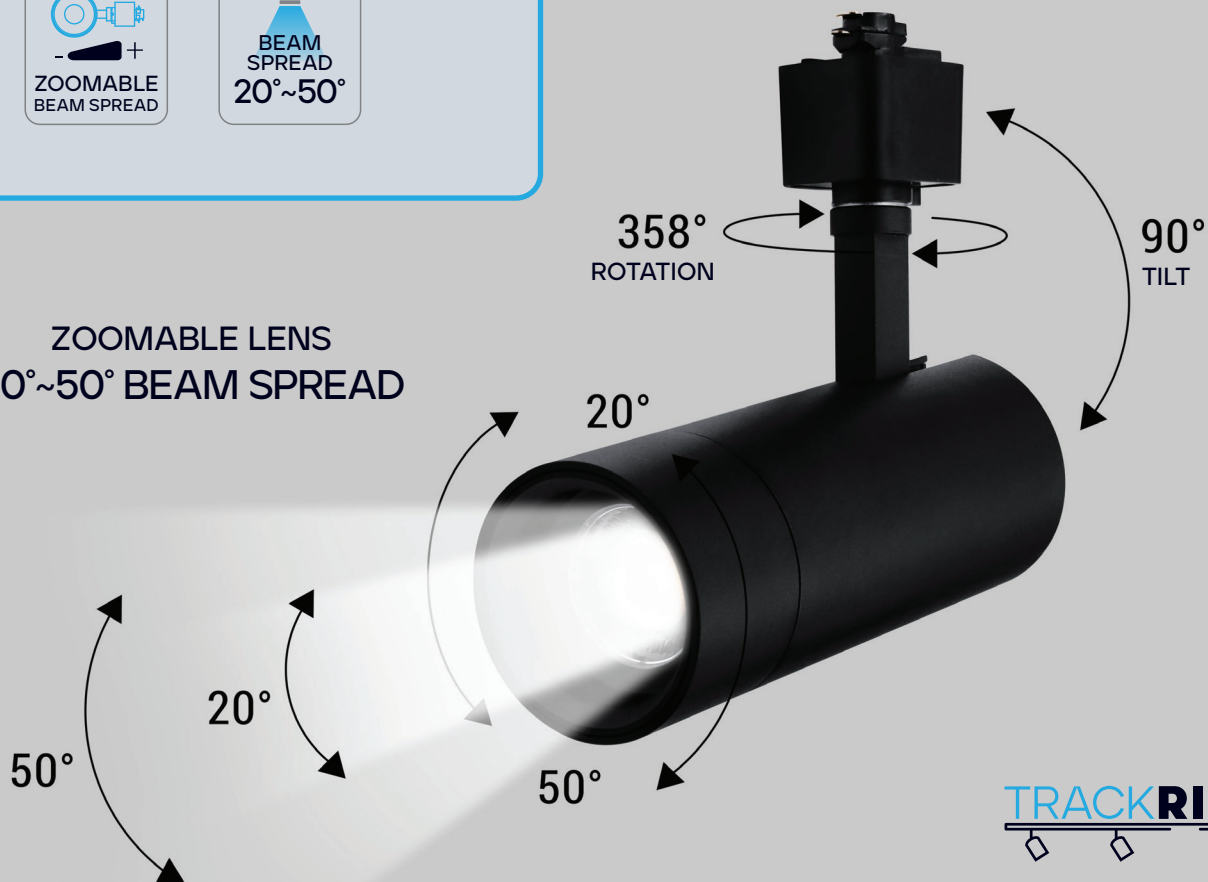
TRACKRITE



FEATURING
ZOOMABLE LENS
20°~50° BEAM
SPREAD



ZOOMABLE LENS
20°~50° BEAM SPREAD



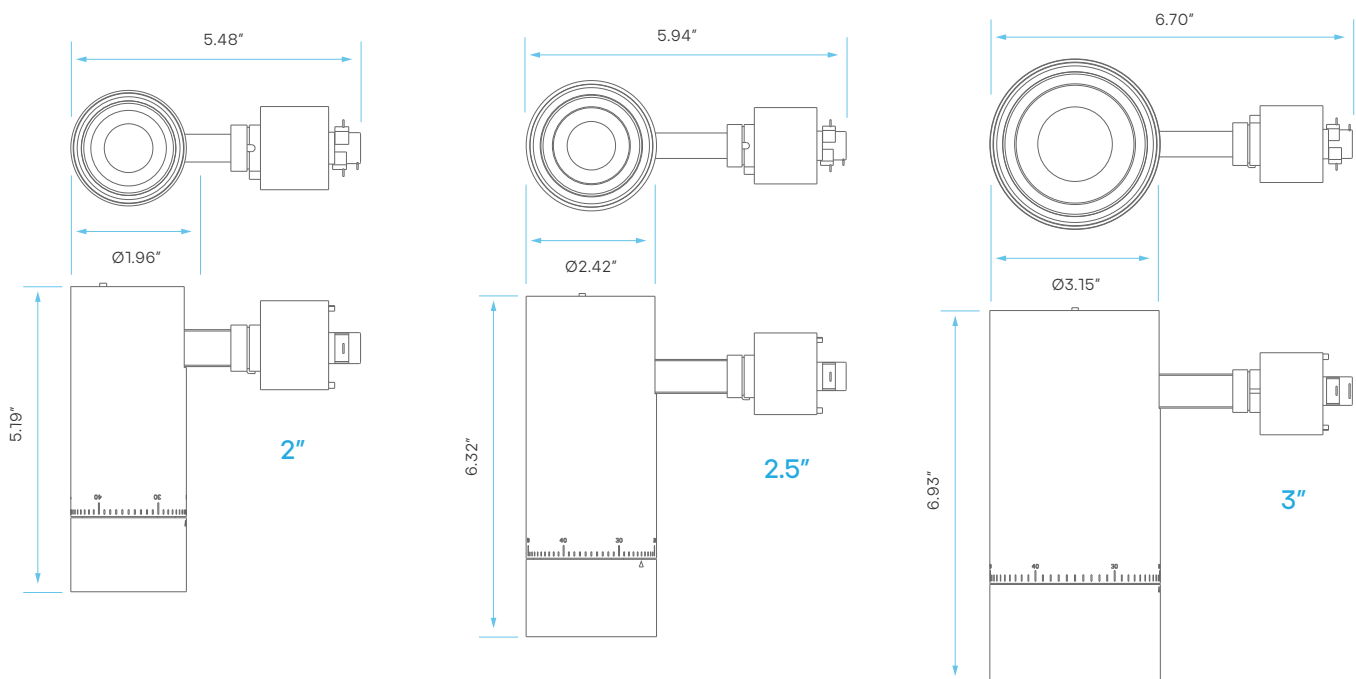
ELECTRICAL

		MODEL	DESCRIPTION	POWER	INPUT VOLTS	EFFICACY	DIMMABLE	LIFETIME	COST/YR
2"	BLACK	LR43870	LEDTR/ZM2/H/10W/5CCT/D/BK	10	120V	80	TRIAC	50,000	\$ 1.20
	WHITE	LR43871	LEDTR/ZM2/H/10W/5CCT/D/WT	10	120V	80	TRIAC	50,000	\$ 1.20
2.5"	BLACK	LR43872	LEDTR/ZM2.5/H/15W/5CCT/D/BK	15	120V	86	TRIAC	50,000	\$ 1.80
	WHITE	LR43873	LEDTR/ZM2.5/H/15W/5CCT/D/WT	15	120V	86	TRIAC	50,000	\$ 1.80
	BRASS	LR43876	LEDTR/ZM2.5/H/15W/5CCT/D/BRS	15	120V	86	TRIAC	50,000	\$ 1.80
3"	BLACK	LR43874	LEDTR/ZM3/H/30W/5CCT/D/BK	30	120V	73	TRIAC	50,000	\$ 3.61
	WHITE	LR43875	LEDTR/ZM3/H/30W/5CCT/D/WT	30	120V	73	TRIAC	50,000	\$ 3.61
	BRASS	LR43877	LEDTR/ZM3/H/30W/5CCT/D/BRS	30	120V	73	TRIAC	50,000	\$ 3.61

PHOTOMETRIC

MODEL	DESCRIPTION	COLOR (CCT)	TEMP	LUMEN	FLOOD	CRI	ETL LISTED
LR43870	LEDTR/ZM2/H/10W/5CCT/D/BK	2700K/3000K/3500K/4000K/5000K	CCT SELECT	700	20° ~ 50°	90	YES
LR43871	LEDTR/ZM2/H/10W/5CCT/D/WT	2700K/3000K/3500K/4000K/5000K	CCT SELECT	700	20° ~ 50°	90	YES
LR43872	LEDTR/ZM2.5/H/15W/5CCT/D/BK	2700K/3000K/3500K/4000K/5000K	CCT SELECT	1050	20° ~ 50°	90	YES
LR43873	LEDTR/ZM2.5/H/15W/5CCT/D/WT	2700K/3000K/3500K/4000K/5000K	CCT SELECT	1050	20° ~ 50°	90	YES
LR43876	LEDTR/ZM2.5/H/15W/5CCT/D/BRS	2700K/3000K/3500K/4000K/5000K	CCT SELECT	1050	20° ~ 50°	90	YES
LR43874	LEDTR/ZM3/H/30W/5CCT/D/BK	2700K/3000K/3500K/4000K/5000K	CCT SELECT	2100	20° ~ 50°	90	YES
LR43875	LEDTR/ZM3/H/30W/5CCT/D/WT	2700K/3000K/3500K/4000K/5000K	CCT SELECT	2100	20° ~ 50°	90	YES
LR43877	LEDTR/ZM3/H/30W/5CCT/D/BRS	2700K/3000K/3500K/4000K/5000K	CCT SELECT	2100	20° ~ 50°	90	YES

DIMENSIONS



H-TRACK SYSTEM SINGLE CIRCUIT 3-WIRE TRACK SYSTEM ACCESSORIES

TRACKRITE



		AVAILABLE SYSTEM ACCESSORIES*	
FLOATING CANOPY	<p>LR43827 LR43828</p>	END CAP	<p>LR43812 LR43813</p>
L-CONNECTOR	<p>LR43836 LR43837</p>	POWER END CONNECTOR	<p>LR43815 LR43816</p>
T-CONNECTOR	<p>LR43839 LR43840</p>	LIVE END CONDUIT FITTER	<p>LR43818 LR43819</p>
X-CONNECTOR	<p>LR43842 LR43843</p>	FLEXIBLE CONNECTOR	<p>LR43821 LR43822</p>
STRAIGHT CONNECTOR	<p>LR43833 LR43834</p>	ADJUSTABLE CONNECTOR	<p>LR43824 LR43825</p>
20' SUSPENSION KIT	<p>LR43850 LR43849</p>	MINI STRAIGHT CONNECTOR	<p>LR43830 LR43831</p>
		DEAD I-CONNECTOR	<p>LR43844 LR43845</p>



*ALL ACCESSORIES ARE SOLD SEPARATELY

SURFACE MOUNT H-TYPE SINGLE CIRCUIT 3-WIRE TRACK

*SOLD SEPARATELY

2' - LR43800
4' - LR43803
6' - LR43806
8' - LR43809

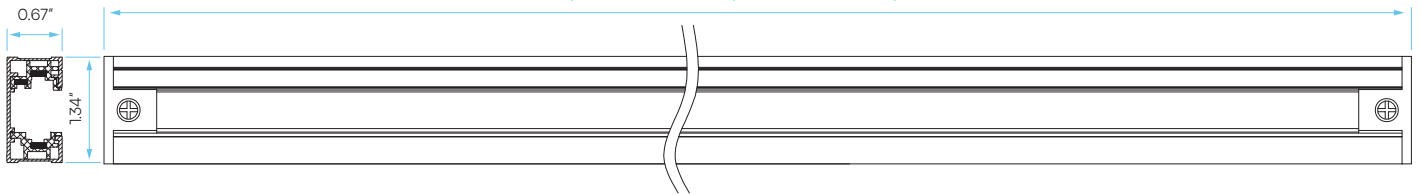


2' - LR43801
4' - LR43804
6' - LR43807
8' - LR43810

	MODEL	DESCRIPTION	FINISH
2'	LR43800	LEDTR/H/3W/1C/SM/2FT/BK	BLACK
	LR43801	LEDTR/H/3W/1C/SM/2FT/WT	WHITE
4'	LR43803	LEDTR/H/3W/1C/SM/4FT/BK	BLACK
	LR43804	LEDTR/H/3W/1C/SM/4FT/WT	WHITE
6'	LR43806	LEDTR/H/3W/1C/SM/6FT/BK	BLACK
	LR43807	LEDTR/H/3W/1C/SM/6FT/WT	WHITE
8'	LR43809	LEDTR/H/3W/1C/SM/8FT/BK	BLACK
	LR43810	LEDTR/H/3W/1C/SM/8FT/WT	WHITE

INCLUDED: END CAPS (2), EXPANSION PLUGS (2), FLAT HEAD PHILLIPS SCREWS (2)

2FT=24" 4FT=48" 6FT=72" 8FT=96"



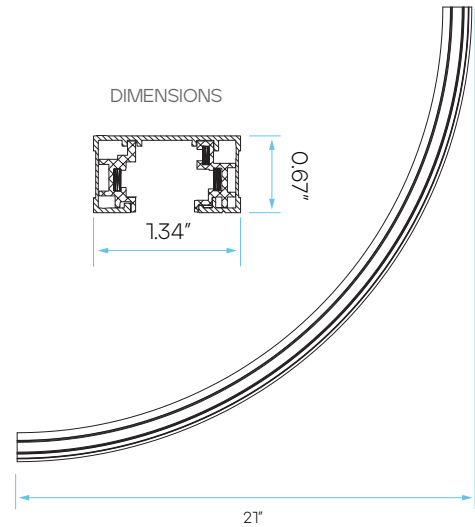
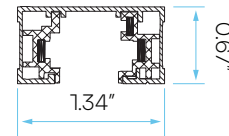
SURFACE MOUNT H-TYPE SINGLE CIRCUIT 3-WIRE CURVED TRACK



LR43847

LR43848

DIMENSIONS



2' SURFACE MOUNT H-TYPE SINGLE CIRCUIT 3-WIRE TRACK

	MODEL	DESCRIPTION	FINISH
2'	LR43847	LEDTR/H/3W/1C/SM/2FTCRV/BK	BLACK
	LR43848	LEDTR/H/3W/1C/SM/2FTCRV/WT	WHITE

INCLUDED: END CAPS (2), EXPANSION PLUGS (2), FLAT HEAD PHILLIPS SCREWS (2)

H-TRACK END CAP

*SOLD SEPARATELY

LR43812

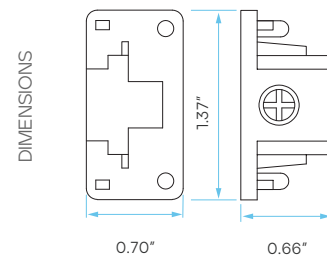


LR43813



H-TRACK END CAP

	MODEL	DESCRIPTION	FINISH
	LR43812	LEDTR/H/3W/1C/END/BK	BLACK
	LR43813	LEDTR/H/3W/1C/END/WT	WHITE

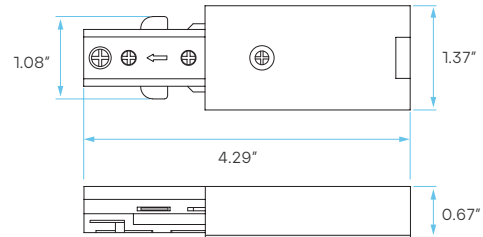


H-TRACK POWER END CONNECTOR

*SOLD SEPARATELY



DIMENSIONS



LR43815

LR43816

H-TRACK POWER END CONNECTOR

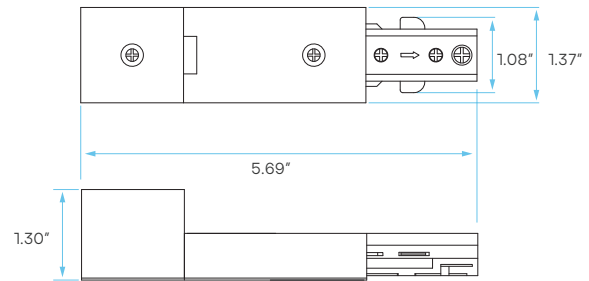
MODEL	DESCRIPTION	FINISH
LR43815	LEDTR/H/3W/1C/PEND/BK	BLACK
LR43816	LEDTR/H/3W/1C/PEND/WT	WHITE

H-TRACK LIVE END CONDUIT FITTER

*SOLD SEPARATELY



DIMENSIONS



LR43818

LR43819

H-TRACK LIVE END CONDUIT FITTER

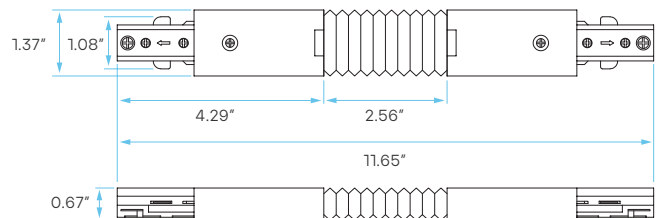
MODEL	DESCRIPTION	FINISH
LR43818	LEDTR/H/3W/1C/CPEND/BK	BLACK
LR43819	LEDTR/H/3W/1C/CPEND/WT	WHITE

H-TRACK FLEXIBLE CONNECTOR

*SOLD SEPARATELY



DIMENSIONS



LR43821

LR43822

H-TRACK FLEXIBLE CONNECTOR

MODEL	DESCRIPTION	FINISH
LR43821	LEDTR/H/3W/1C/FLEX/BK	BLACK
LR43822	LEDTR/H/3W/1C/FLEX/WT	WHITE

H-TRACK ADJUSTABLE CONNECTOR

*SOLD SEPARATELY

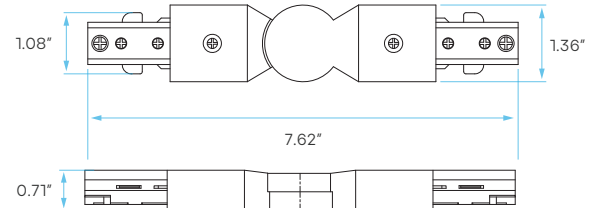


LR43824



LR43825

DIMENSIONS



H-TRACK ADJUSTABLE CONNECTOR

MODEL	DESCRIPTION	FINISH
LR43824	LEDTR/H/3W/1C/ADJ/BK	BLACK
LR43825	LEDTR/H/3W/1C/ADJ/WT	WHITE

H-TRACK FLOATING CANOPY

*SOLD SEPARATELY

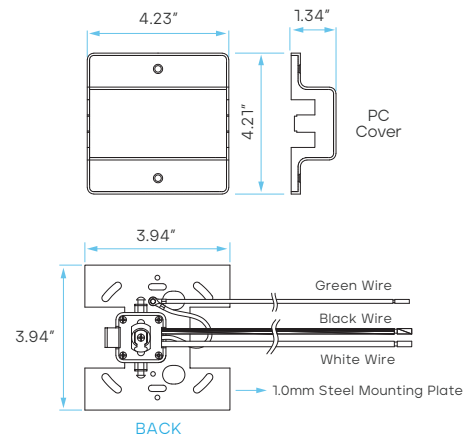


LR43827



LR43828

DIMENSIONS



H-TRACK FLOATING CANOPY

MODEL	DESCRIPTION	FINISH
LR43827	LEDTR/H/3W/1C/FCAN/BK	BLACK
LR43828	LEDTR/H/3W/1C/FCAN/WT	WHITE

H-TRACK MINI-STRAIGHT CONNECTOR

*SOLD SEPARATELY

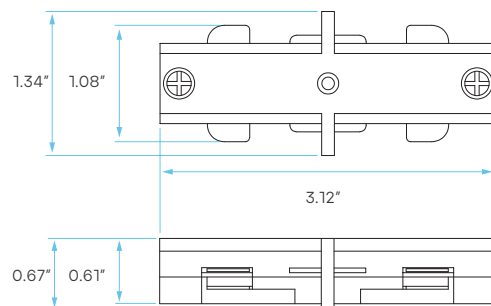


LR43830



LR43831

DIMENSIONS



H-TRACK MINI-STRAIGHT CONNECTOR

MODEL	DESCRIPTION	FINISH
LR43830	LEDTR/H/3W/1C/MI/BK	BLACK
LR43831	LEDTR/H/3W/1C/MI/WT	WHITE

H-TRACK DEAD I-CONNECTOR

*SOLD SEPARATELY

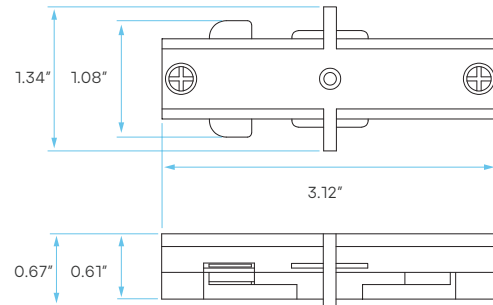


LR43844



LR43845

DIMENSIONS



H-TRACK DEAD I-CONNECTOR

MODEL	DESCRIPTION	FINISH
LR43844	LEDTR/H/3W/1C/DI/BK	BLACK
LR43845	LEDTR/H/3W/1C/DI/WT	WHITE

H-TRACK STRAIGHT CONNECTOR

*SOLD SEPARATELY

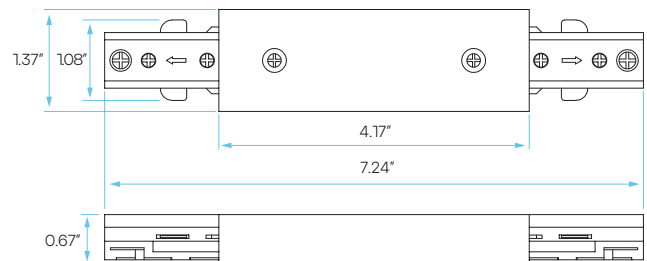


LR43833



LR43834

DIMENSIONS



H-TRACK STRAIGHT CONNECTOR

MODEL	DESCRIPTION	FINISH
LR43833	LEDTR/H/3W/1C/I/BK	BLACK
LR43834	LEDTR/H/3W/1C/I/WT	WHITE

H-TRACK L-CONNECTOR

*SOLD SEPARATELY

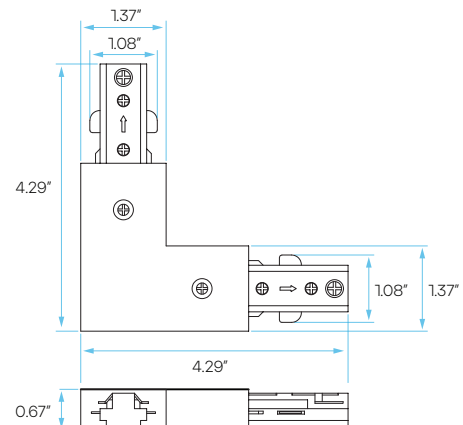


LR43836



LR43837

DIMENSIONS



H-TRACK L-CONNECTOR

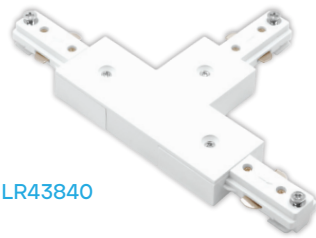
MODEL	DESCRIPTION	FINISH
LR43836	LEDTR/H/3W/1C/L/BK	BLACK
LR43837	LEDTR/H/3W/1C/L/WT	WHITE

H-TRACK T-CONNECTOR

*SOLD SEPARATELY

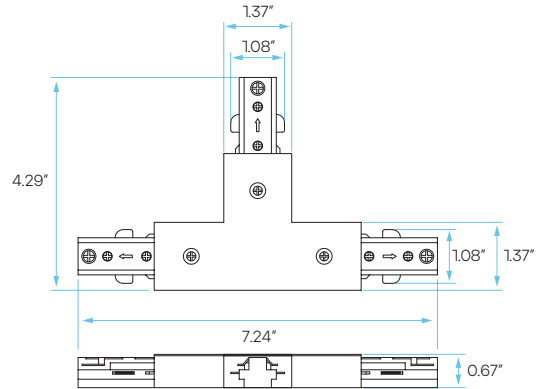


LR43839



LR43840

DIMENSIONS

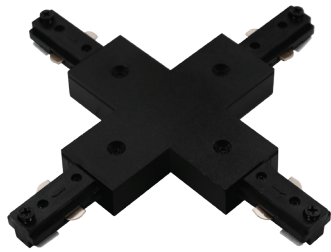


H-TRACK T-CONNECTOR

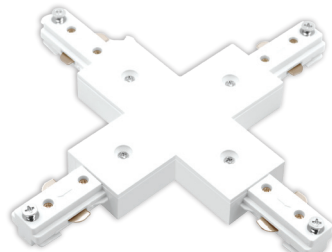
MODEL	DESCRIPTION	FINISH
LR43839	LEDTR/H/3W/1C/T/BK	BLACK
LR43840	LEDTR/H/3W/1C/T/WT	WHITE

H-TRACK X-CONNECTOR

*SOLD SEPARATELY

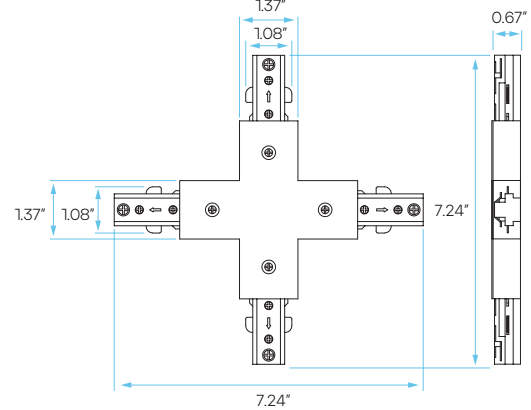


LR43842



LR43843

DIMENSIONS



H-TRACK X-CONNECTOR

MODEL	DESCRIPTION	FINISH
LR43842	LEDTR/H/3W/1C/X/BK	BLACK
LR43843	LEDTR/H/3W/1C/X/WT	WHITE

H-TRACK 20' SURFACE MOUNT KIT

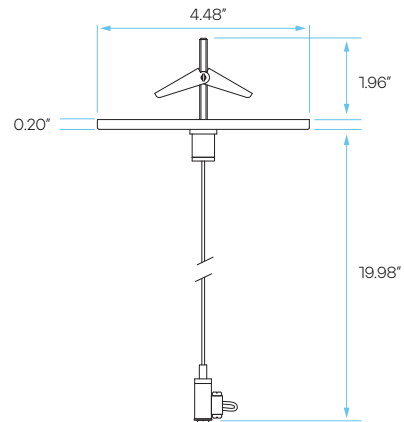
*SOLD SEPARATELY



LR43849

LR43850

DIMENSIONS



H-TRACK X-CONNECTOR

MODEL	DESCRIPTION	FINISH
LR43849	LEDTR/H/3W/1C/S-KIT/20FT/WT	WHITE
LR43850	LEDTR/H/3W/1C/S-KIT/20FT/BK	BLACK