

## 3", 4" PUSH AND LOCK REGRESSED TRIMLESS SPOTLIGHT - 5CCT SELECT LR25437, LR25439

**IMPORTANT:**

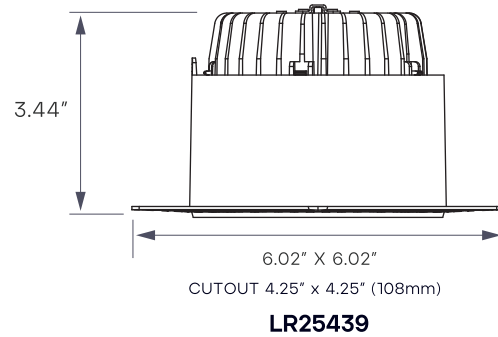
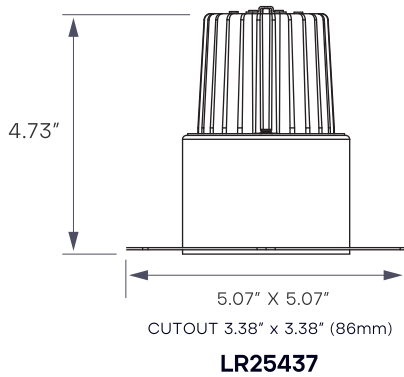
**READ ALL INSTRUCTIONS BEFORE INSTALLING FIXTURES. KEEP FOR FUTURE REFERENCE.**

**SAFETY:** FOR YOUR SAFETY, THIS FIXTURE MUST BE WIRED IN ACCORDANCE TO LOCAL ELECTRICAL CODES AND ORDINANCES. ALL WORK SHOULD BE DONE BY A QUALIFIED ELECTRICIAN.

**WARNING:** MAKE SURE POWER IS OFF FROM THE ELECTRICAL PANEL BEFORE STARTING INSTALLATION OR ATTEMPTING ANY MAINTENANCE. INDOOR INSTALLATION ONLY.

DO NOT CO-MINGLE DIFFERENT SIZES AND STYLES OF DIM RO WARM FIXTURES ON THE SAME DIMMER, NOT ALL FIXTURES WILL EXHIBIT THE SAME CORRELATED COLOR TEMPERATURES AT THE SAME DIMMING LEVEL.

**TOOLS REQUIRED:** SAW, MEASURING TAPE, ELECTRICAL WIRING (USE TAPE AND GAUGE SUITABLE FOR APPLICATION TO CONNECT THE FIXTURES).



### INSTRUCTIONS

