

LUXRITE®

LED CANLESS - SPOTLIGHT

BOSTON COLLECTION

COMMERCIAL DOWNLIGHT - BAFFLED TRIM

4"



LR23975

6"



LR23976

8"



LR23977

10"



LR23978



COLOR SELECTABLE

2700K 3000K 3500K 4000K 5000K

WATTAGE
SELECTABLE

3 OPTIONS

HIGH
OUTPUT

DUAL
DIMMING
TRIAC
0-10V

AIR
TIGHT

WET
LOCATION
RATED

120-
277V

3
YEAR
WARRANTY



*SELECT
MODELS

LR23975

LED/CDL4HO/3WO/5CCT/B/JB/UNV/DD



APERTURE	4"
DISTRIBUTION	FIXED/BAFFLED TRIM
APPLICATION	NEW CONSTRUCTION/REMODEL

ELECTRICAL

POWER	9W/12W/15W - SELECTABLE
INPUT VOLTS	120-277V
INPUT CURRENT	140mA
FREQUENCY	60Hz
DIMMING TYPE	TRIAC/0-10V
DIMMING RANGE	10-100%
FEED WIRE GAUGE	22AWG
BREAKER SPECIFICATION (15A @120V)	79pcs*

*Mathematically estimated value. Actual capacity may vary by breaker type and installation environment.

PHOTOMETRIC

COLOR CCT	2700K/3000K/3500K/4000K/5000K
CRI	80
LUMEN	810lm/1080lm/1350lm
EFFICACY	90lm/w
BEAM ANGLE	100°

CERTIFICATIONS & SAFETY

LR23975	ETL, ENERGY STAR
WET LOCATION	YES
IC RATED	NO
AIR TIGHT	YES
OPERATING TEMP.	-13°F to 104°F
COST/YR	\$ 1.80
WARRANTY	3 YR

MATERIAL & APPLICATION

HEAT SINK	ALUMINUM
TRIM	ALUMINUM
LENS	PC
CUTOUT	Ø4.3"
MOUNTING TYPE	RECESSED
AREA OF APPLICATION	RESIDENTIAL, COMMERCIAL
CEILING TYPE	DRYWALL, WOOD

DRIVER

	POWER	INPUT VOLTS	INPUT CURRENT	FREQUENCY	INPUT POWER	OUTPUT VOLTAGE	DIMENSIONS	KNOCKOUTS
INCLUDED DRIVER	9W/12W/15W	120-277V	140mA	60Hz	15W max	36V DC	3.5"L X 3.5"W X 1.45"H	2

MODEL	DESCRIPTION	EM POWER	INPUT VOLTS	INPUT CURRENT	FREQUENCY	INPUT POWER	OUTPUT VOLTAGE	RECHARGE TIME	EMERGENCY TIME
LR35126**	LED/EMR/15W/AC/SF/E	15	100-347V	100mA	50/60Hz	12W max	170V DC	24HR	90MINS

*AMBIENT TEMPERATURE: 41°F ~ 122°F

**SOLD SEPARATELY

DIMENSIONS

CUTOUT: Ø4.3"

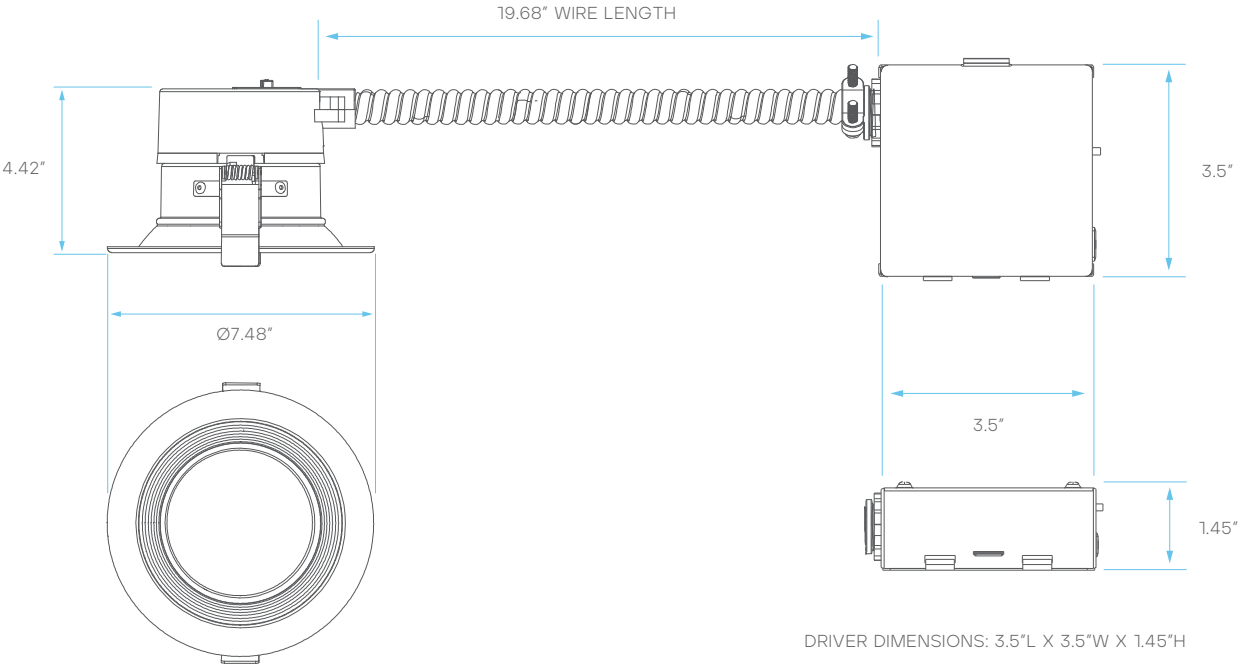
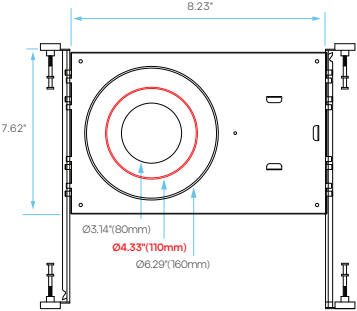


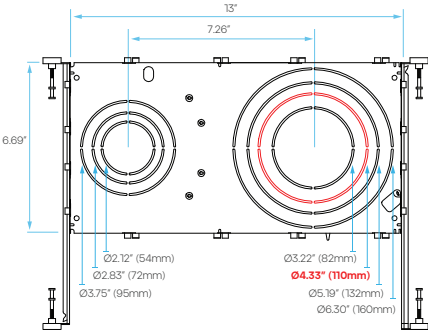
PLATE COMPATIBILITY*

*SOLD SEPARATELY

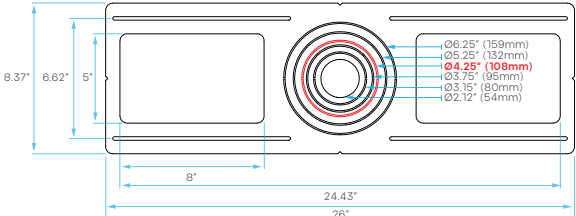
LR41002
KNOCKOUT
1



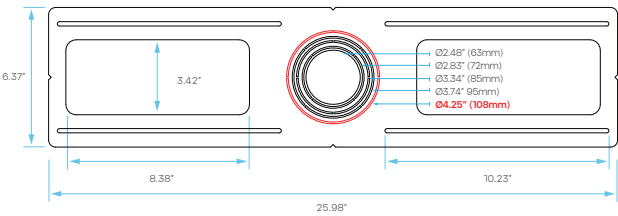
LR41010
KNOCKOUT
R1



LR41006
KNOCKOUT
3



LR41011
KNOCKOUT
4



LR23976

LED/CDL6HO/3WO/5CCT/B/JB/UNV/DD



APERTURE	6"
DISTRIBUTION	FIXED/BAFFLED TRIM
APPLICATION	NEW CONSTRUCTION/REMODEL

ELECTRICAL

POWER	12W/16W/20W - SELECTABLE
INPUT VOLTS	120-277V
INPUT CURRENT	170mA
FREQUENCY	60Hz
DIMMING TYPE	TRIAC/0-10V
DIMMING RANGE	10-100%
FEED WIRE GAUGE	22AWG
BREAKER SPECIFICATION *(15A @120V)	59pcs*

*Mathematically estimated value. Actual capacity may vary by breaker type and installation environment.

PHOTOMETRIC

COLOR CCT	2700K/3000K/3500K/4000K/5000K
CRI	80
LUMEN	1140lm/1520lm/1900lm
EFFICACY	95lm/w
BEAM ANGLE	100°

CERTIFICATIONS & SAFETY

LR23976	ETL, ENERGY STAR
WET LOCATION	YES
IC RATED	NO
AIR TIGHT	YES
OPERATING TEMP.	-13°F to 104°F
COST/YR	\$ 2.40
WARRANTY	3 YR

MATERIAL & APPLICATION

HEAT SINK	ALUMINUM
TRIM	ALUMINUM
LENS	PC
CUTOUT	Ø6.3"
MOUNTING TYPE	RECESSED
AREA OF APPLICATION	RESIDENTIAL, COMMERCIAL
CEILING TYPE	DRYWALL, WOOD

DRIVER

	POWER	INPUT VOLTS	INPUT CURRENT	FREQUENCY	INPUT POWER	OUTPUT VOLTAGE	DIMENSIONS	KNOCKOUTS
INCLUDED DRIVER	12W/16W/20W	120-277V	170mA	60Hz	20W max	36V DC	3.5"L X 3.5"W X 1.45"H	2

MODEL	DESCRIPTION	EM POWER	INPUT VOLTS	INPUT CURRENT	FREQUENCY	INPUT POWER	OUTPUT VOLTAGE	RECHARGE TIME	EMERGENCY TIME
LR35126**	LED/EMR/15W/AC/SF/E	15	100-347V	100mA	50/60Hz	12W max	170V DC	24HR	90MINS

*AMBIENT TEMPERATURE: 41°F ~ 122°F

**SOLD SEPARATELY

DIMENSIONS

CUTOUT: Ø6.3"

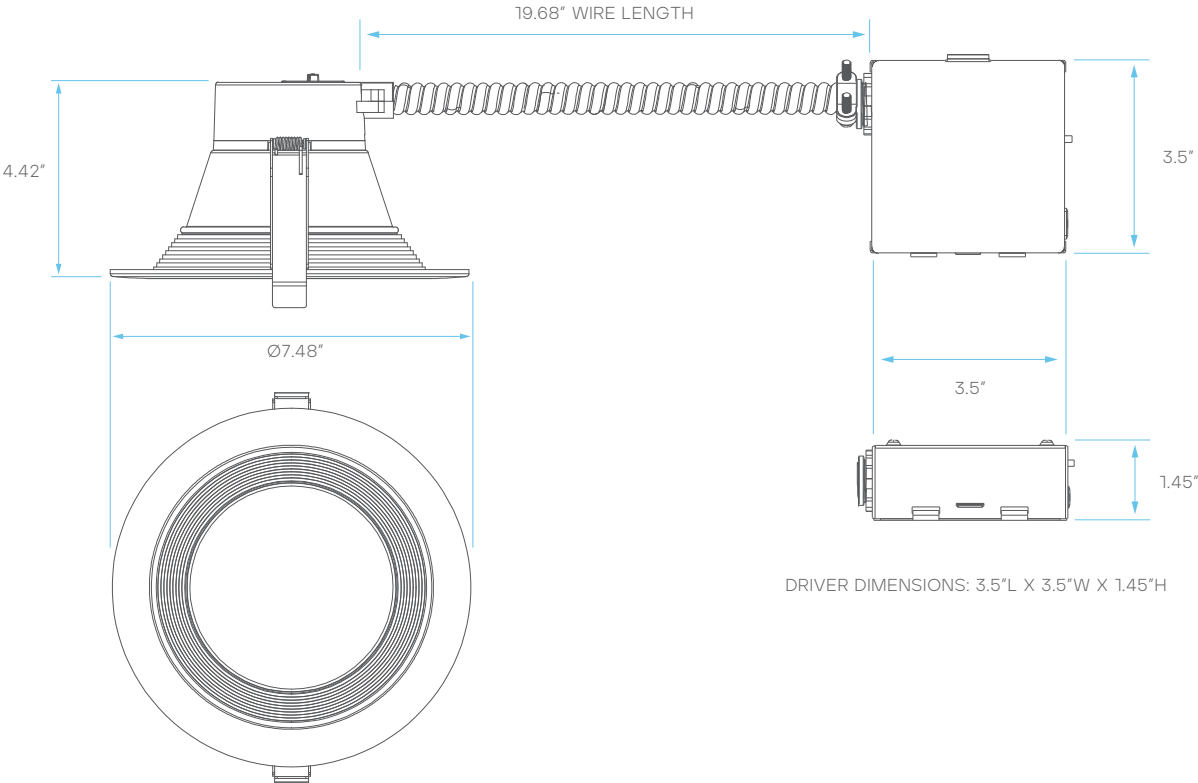
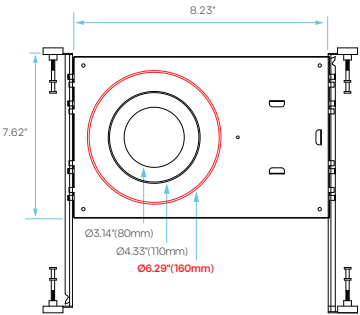


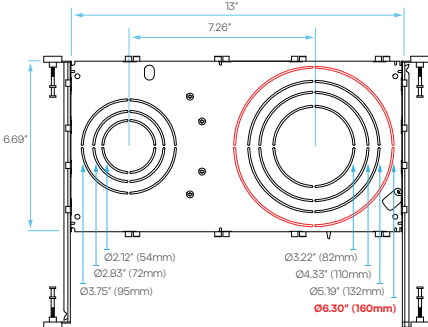
PLATE COMPATIBILITY*

*SOLD SEPARATELY

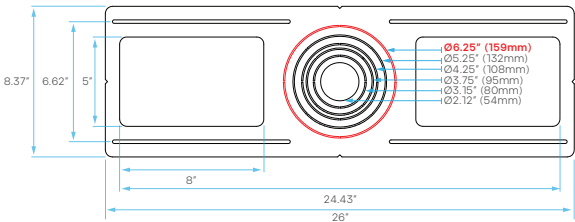
**LR41002
KNOCKOUT
2**



**LR41010
KNOCKOUT
R3**



**LR41006
KNOCKOUT
5**



LR23977

LED/CDL8HO/3WO/5CCT/B/JB/UNV/DD



APERTURE	8"
DISTRIBUTION	FIXED/BAFFLED TRIM
APPLICATION	NEW CONSTRUCTION/REMODEL

ELECTRICAL

POWER	16W/21W/27W - SELECTABLE
INPUT VOLTS	120-277V
INPUT CURRENT	230mA
FREQUENCY	60Hz
DIMMING TYPE	TRIAC/0-10V
DIMMING RANGE	10-100%
FEED WIRE GAUGE	22AWG
BREAKER SPECIFICATION *(15A @120V)	44pcs*

*Mathematically estimated value. Actual capacity may vary by breaker type and installation environment.

PHOTOMETRIC

COLOR CCT	2700K/3000K/3500K/4000K/5000K
CRI	80
LUMEN	1600lm/2100lm/2700lm
EFFICACY	100lm/w
BEAM ANGLE	100°

CERTIFICATIONS & SAFETY

LR23977	ETL, ENERGY STAR
WET LOCATION	YES
IC RATED	NO
AIR TIGHT	YES
OPERATING TEMP.	-13°F to 104°F
COST/YR	\$ 3.25
WARRANTY	3 YR

MATERIAL & APPLICATION

HEAT SINK	ALUMINUM
TRIM	ALUMINUM
LENS	PC
CUTOUT	Ø7.87"
MOUNTING TYPE	RECESSED
AREA OF APPLICATION	RESIDENTIAL, COMMERCIAL
CEILING TYPE	DRYWALL, WOOD

DRIVER

	POWER	INPUT VOLTS	INPUT CURRENT	FREQUENCY	INPUT POWER	OUTPUT VOLTAGE	DIMENSIONS	KNOCKOUTS
INCLUDED DRIVER	16W/21W/27W	120-277V	230mA	60Hz	27W max	36V DC	3.5"L X 3.5"W X 1.45"H	2

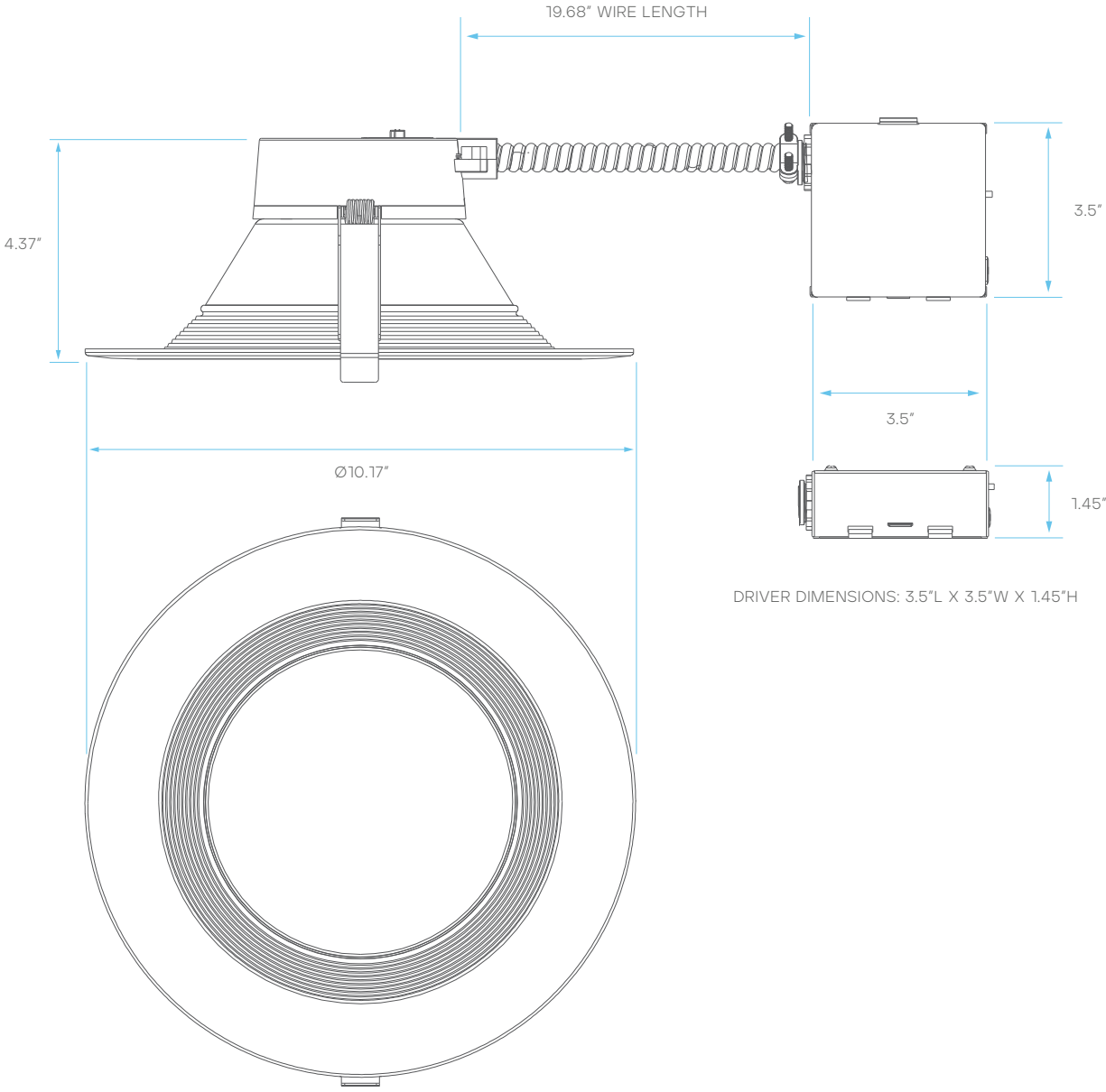
MODEL	DESCRIPTION	EM POWER	INPUT VOLTS	INPUT CURRENT	FREQUENCY	INPUT POWER	OUTPUT VOLTAGE	RECHARGE TIME	EMERGENCY TIME
LR35126**	LED/EMR/15W/AC/SF/E	15	100-347V	100mA	50/60Hz	12W max	170V DC	24HR	90MINS

*AMBIENT TEMPERATURE: 41°F ~ 122°F

**SOLD SEPARATELY

DIMENSIONS

CUTOUT: Ø7.87"



LR23978

LED/CDL10HO/3WO/5CCT/B/JB/UNV/DD



APERTURE	10"
DISTRIBUTION	FIXED/BAFFLED TRIM
APPLICATION	NEW CONSTRUCTION/REMODEL

ELECTRICAL

POWER	22W/29W/37.5W - SELECTABLE
INPUT VOLTS	120-277V
INPUT CURRENT	320mA
FREQUENCY	60Hz
DIMMING TYPE	TRIAC/0-10V
DIMMING RANGE	10-100%
FEED WIRE GAUGE	22AWG
BREAKER SPECIFICATION *(15A @120V)	31pcs*

*Mathematically estimated value. Actual capacity may vary by breaker type and installation environment.

PHOTOMETRIC

COLOR CCT	2700K/3000K/3500K/4000K/5000K
CRI	80
LUMEN	2300lm/3000lm/3700lm
EFFICACY	105lm/w
BEAM ANGLE	100°

CERTIFICATIONS & SAFETY

LR23978	ETL
WET LOCATION	YES
IC RATED	NO
AIR TIGHT	YES
OPERATING TEMP.	-13°F to 104°F
COST/YR	\$ 4.51
WARRANTY	3 YR

MATERIAL & APPLICATION

HEAT SINK	ALUMINUM
TRIM	ALUMINUM
LENS	PC
CUTOUT	Ø9.84"
MOUNTING TYPE	RECESSED
AREA OF APPLICATION	RESIDENTIAL, COMMERCIAL
CEILING TYPE	DRYWALL, WOOD

DRIVER

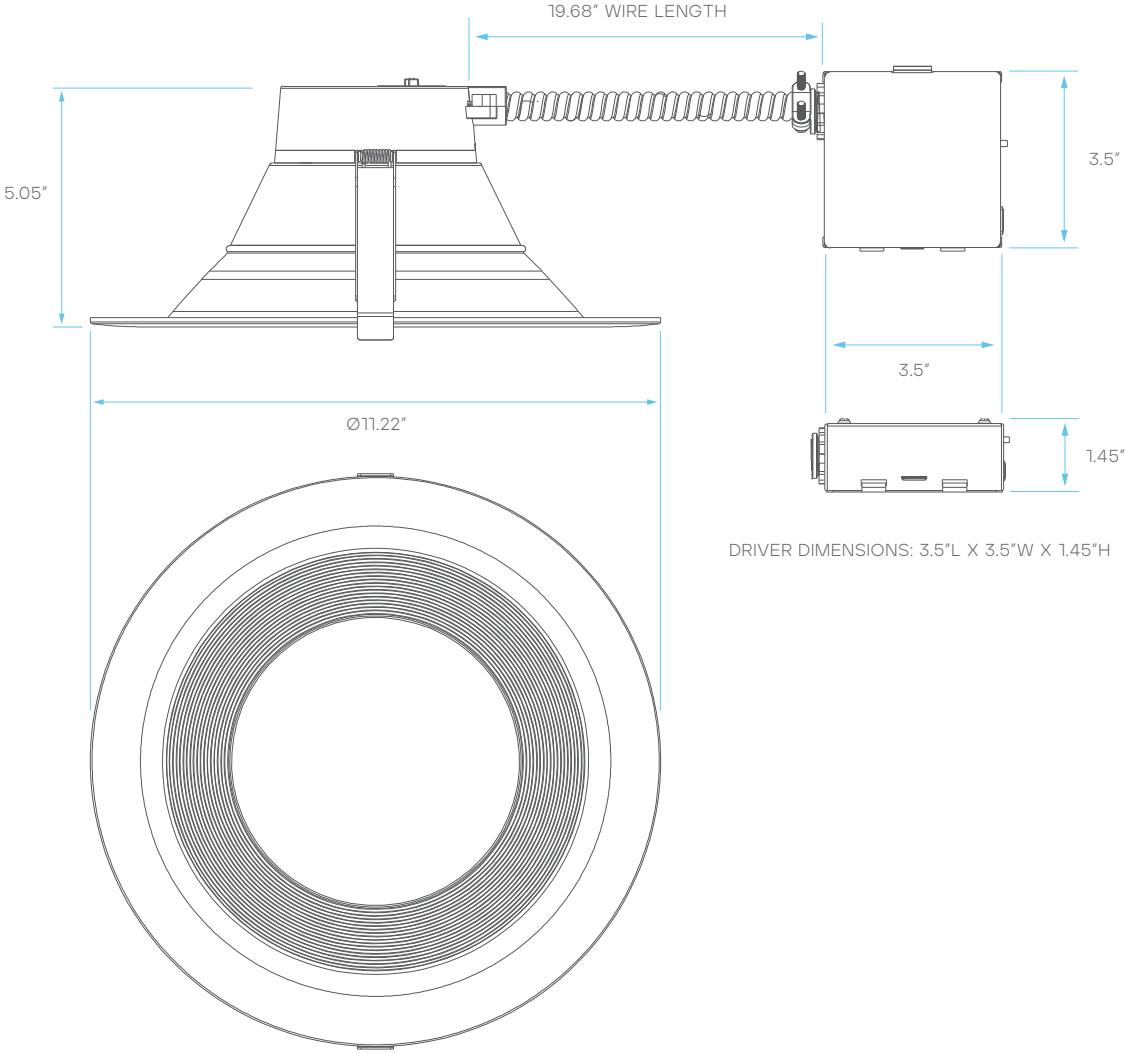
	POWER	INPUT VOLTS	INPUT CURRENT	FREQUENCY	INPUT POWER	OUTPUT VOLTAGE	DIMENSIONS	KNOCKOUTS
INCLUDED DRIVER	22W/29W/37.5W	120-277V	320mA	60Hz	37.5W max	36V DC	3.5"L X 3.5"W X 1.45"H	2

MODEL	DESCRIPTION	EM POWER	INPUT VOLTS	INPUT CURRENT	FREQUENCY	INPUT POWER	OUTPUT VOLTAGE	RECHARGE TIME	EMERGENCY TIME
LR35126**	LED/EMR/15W/AC/SF/E	15	100-347V	100mA	50/60Hz	12W max	170V DC	24HR	90MINS

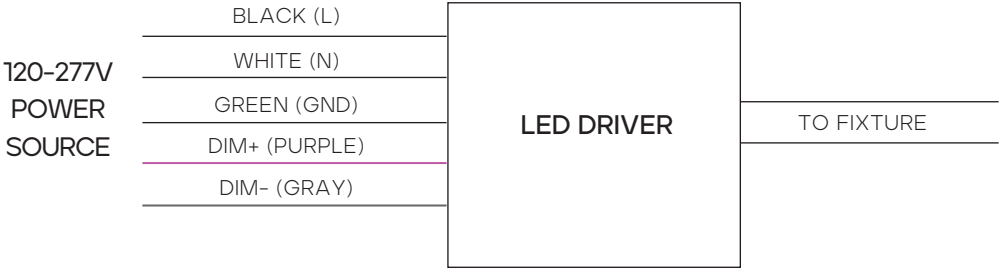
*AMBIENT TEMPERATURE: 41°F ~ 122°F
**SOLD SEPARATELY

DIMENSIONS

CUTOUT: Ø9.84"



WIRING DIAGRAM



SUGGESTED COMPATIBLE DIMMER*

TRIAC DIMMING*

LUTRON	CTCL-153P
	DVCL-153PDH
	DVCL-153P
LEVITON	6672
	6674
PASS & SEYMOUR	HCL453PTCCCV6

0-10V DIMMING*

LUTRON	DIVA - DVTV
	DIVA - NFTV
	NOVA T - NTFTV
LEVITON	ILLUMATECH - IP7
LIGHTOLIER CONTROLS	ZP600FAM120
PHILIPS	SR1200ZTUNV

*Dimmer performance may vary based on load, wiring, and installation conditions. Inclusion on this chart does not guarantee compatibility for every installation, and omission does not indicate incompatibility. Refer to the dimmer manufacturer's installation instructions and verify minimum load requirements to avoid field issues.

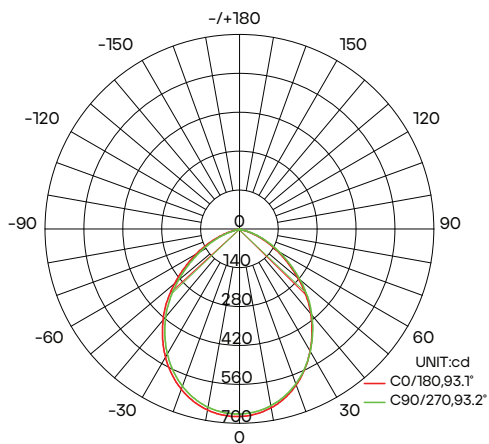
PACKAGING

MODEL	STYLE	INNER BOX DIMENSIONS	MASTER CARTON DIMENSIONS	CASE
LR23975	INNER BOX + MASTER CARTON	7.48" X 6.49" X 6.29"	20.47" X 15.55" X 12"	12
LR23976	INNER BOX + MASTER CARTON	8.26" X 5.11" X 7.87"	26.57" X 17.12" X 8.26"	10
LR23977	INNER BOX + MASTER CARTON	10.23" X 4.92" X 10.43"	25.39" X 21.06" X 10.82"	10
LR23978	INNER BOX + MASTER CARTON	12.20" X 5.90" X 11.49"	31.10" X 12.99" X 12.40"	5

LuxiFlow™ PHOTOMETRICS

Luxrite® LuxiFlow® tool is for informational purposes only, it is not intended to provide lighting or electrical advise.

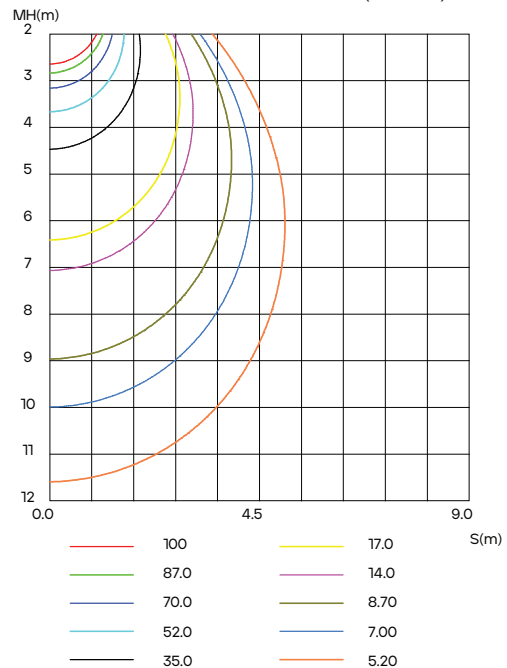
LUMINOUS INTENSITY DISTRIBUTION DIAGRAM



AVERAGE BEAM ANGLE(50%): 93.1 DEG

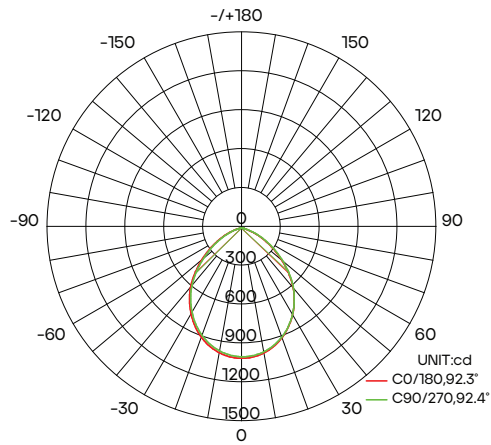
*DIAGRAM SHOWING LR23975 AT 2700K - 15W

C0 PLANE ISOLUX DIAGRAM (UNIT:lx)



Luxrite® Luxiflow® tool is for informational purposes only, it is not intended to provide lighting or electrical advice.

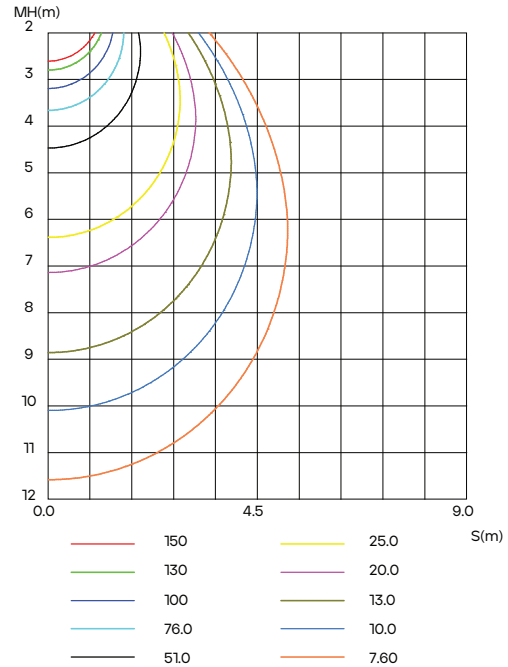
LUMINOUS INTENSITY DISTRIBUTION DIAGRAM



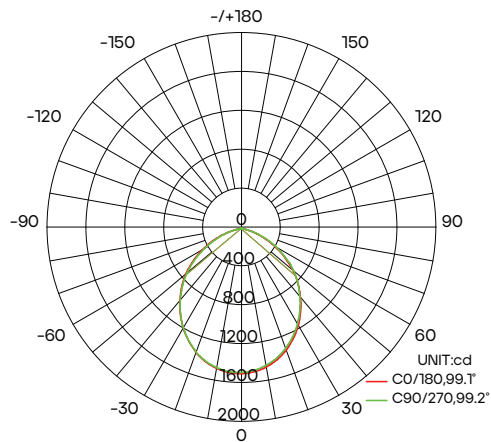
AVERAGE BEAM ANGLE(50%): 92.4 DEG

*DIAGRAM SHOWING LR23976 AT 2700K - 20W

C0 PLANE ISOLUX DIAGRAM (UNIT:lx)



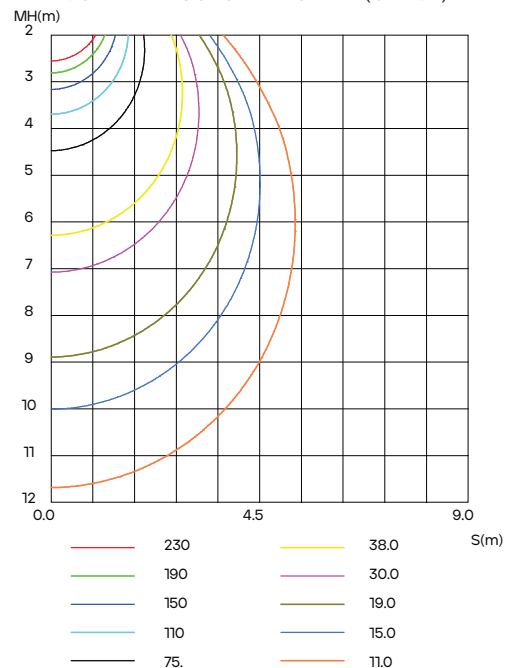
LUMINOUS INTENSITY DISTRIBUTION DIAGRAM



AVERAGE BEAM ANGLE(50%): 99.1 DEG

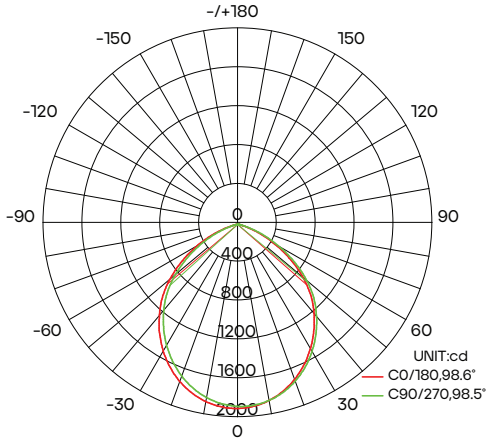
*DIAGRAM SHOWING LR23977 AT 2700K - 27W

C0 PLANE ISOLUX DIAGRAM (UNIT:lx)



Luxrite® Luxiflow® tool is for informational purposes only, it is not intended to provide lighting or electrical advice.

LUMINOUS INTENSITY DISTRIBUTION DIAGRAM



AVERAGE BEAM ANGLE(50%): 98.5 DEG

*DIAGRAM SHOWING LR23978 AT 2700K - 37.5W

C0 PLANE ISOLUX DIAGRAM (UNIT:lx)

