



# 2 or 3-WAY WALL SWITCH

LINE VOLTAGE



**SENSORWORX®**

## OVERVIEW

The **SENSORWORX** line voltage wall switch provides a simple solution for spaces where switching from one or two locations (i.e. 3-way switching) is required. In particular, this unit provides a companion upstream 3-way switch for a **SENSORWORX** model SWX-823 dimmer for 0-10V lighting loads. The visual style of this single-button toggle switch matches the rest of the **SENSORWORX** family of wall switch occupancy sensors and dimmers.

## FEATURES

### ELECTRICAL FEATURES

- Works as Standalone or 3-Way Switch
- Accommodates Neutral (3-Wire) and No-Neutral (2-Wire) Installation
- Electronically Timed (i.e. Zero Cross) Switching Ensures Long Relay Life
- Meets NEC 404.2(c) & 404.22 Guidelines Regarding Powering Over Ground & Current Leakage

### PHYSICAL FEATURES

- White or Blue Locator LED
- Self-Grounding Mounting Strap
- Modern Look and Intuitive Easy-Tap Button
- Style Matches Other **SENSORWORX** Wall Devices (i.e. Sensors & Dimmers)

## SPECIFICATIONS

### ELECTRICAL

**OPERATING VOLTAGE**  
120-277 VAC SINGLE PHASE, 50/60 Hz

**LOAD RATINGS**  
MAX: 800W @ 120VAC  
1200W @ 277VAC  
MIN: None

**LOAD TYPES**  
LED Driver/Lamps  
CFL, Electronic/Magnetic Ballasts (Fluorescent)  
Tungsten (Incandescent)

### ENVIRONMENTAL

**OPERATING TEMP**  
32°F to 122°F (0°C to 50°C) - Standard  
-40° F/C (with **-HE** Option)

**RELATIVE HUMIDITY**  
0-95% Non-Condensing, Indoor Use Only

### PHYSICAL

**SIZE & WEIGHT**  
2.74"H x 1.68"W x 1.39"D  
(6.96 x 4.27 x 3.53 cm)  
Not Including Mounting Strap  
< 1" Wallbox Mounting Depth  
4.5 oz

**MOUNTING**  
Single Gang Switch Box



## ORDERING INFO

SAMPLE MODEL # SWX-821-WH

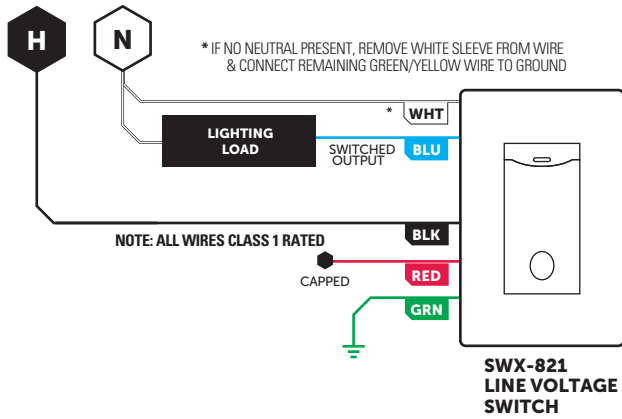
PRODUCT DESCRIPTION	COLOR <sup>1</sup>	PACKAGE COUNT
<b>SWX-821</b> 2 or 3-Way Wall Switch, Line Voltage	White Ivory Light Almond Gray Red Black	- <b>WH</b> - <b>IV</b> - <b>LA</b> - <b>GY</b> - <b>RD</b> - <b>BK</b>  None Humid Environment 10 Pack <sup>2</sup>  <b>Blank</b> <b>- HE</b> <b>- J10</b>
ACCESSORY	COLOR	
<b>SWX-199</b> Single Gang Wall Plate	White - <b>WH</b> Ivory - <b>IV</b> Light Almond - <b>LA</b> Gray - <b>GY</b> Red - <b>RD</b> Black - <b>BK</b>	
<b>SWX-899-FACE</b> Face Color Change Kit		

NOTE 1: WALLPLATE NOT INCLUDED  
NOTE 2: THE CONTRACTOR PACK OPTION (-J10) REDUCES JOB SITE WASTE AND INVENTORY TIME

# WIRING

- Unit works both in installations where Neutral connection is available as well as installations where only Ground connection is present.
- If no neutral is present, remove the white sleeve from the wire & connect the now Green/Yellow wire to Ground.
- Note, either the white wire or green/yellow wire must be connected. The all green wire is just for safety.

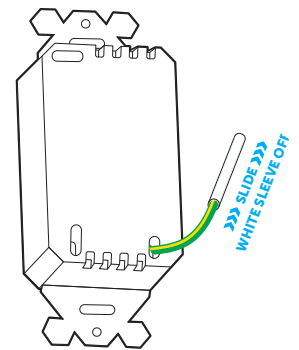
## STANDALONE WIRING (i.e. switching from 1 location)



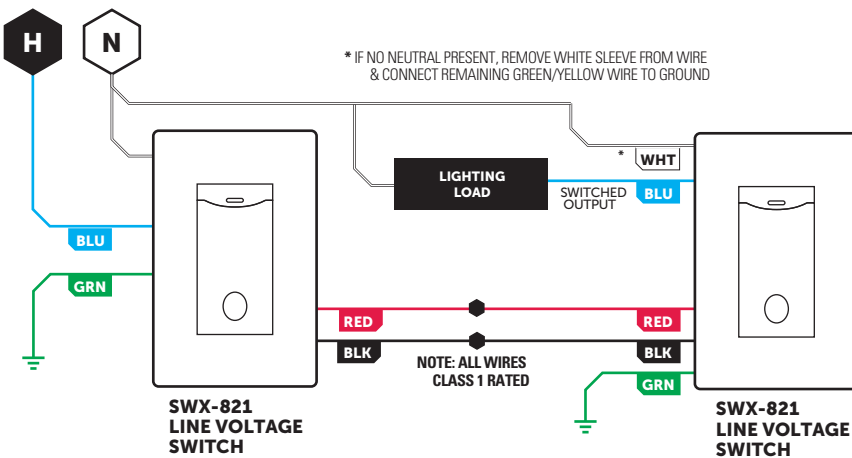
**NOTE: This product is UL listed and meets NEC 404.2(c) & 404.22 guidelines regarding powering over ground & current leakage. Powering over ground is permitted for replacement / retrofit only.**

### NEUTRAL TO GROUND CONVERSION DETAIL

- The white wire has a removable sleeve which reveals a green/yellow wire

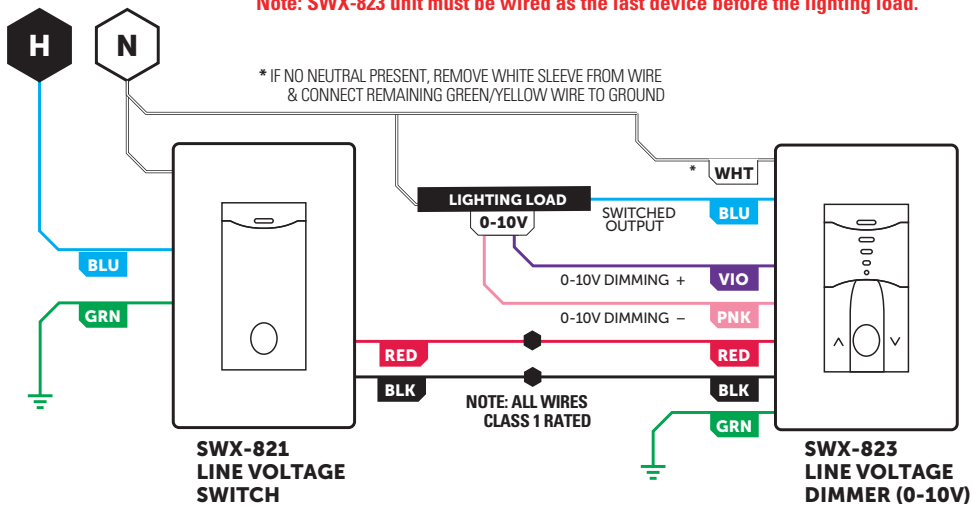


## 3-WAY WIRING (i.e. switching from 2 locations)



## 3-WAY WIRING UPSTREAM of a SWX-823 DIMMER

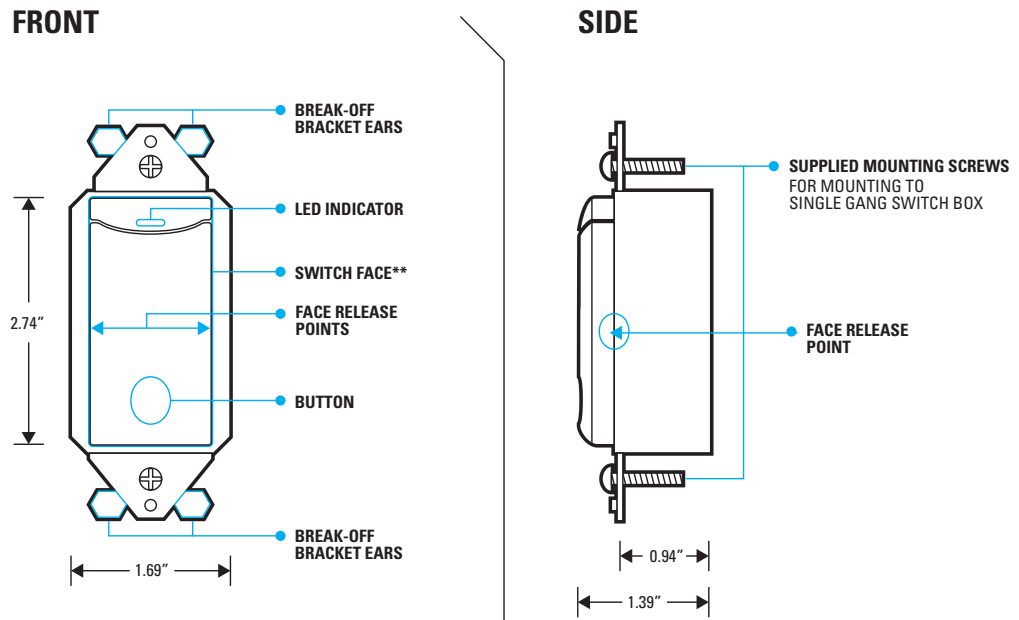
**Note: SWX-823 unit must be wired as the last device before the lighting load.**



# INSTALLATION

## MOUNTING

- Designed to mount in 1-gang wall box with 3.28" hole spacing
- Units also can share multiple gang wall boxes with other devices



\*\* TO REMOVE SWITCH FACE, SQUEEZE/GRIP AT RELEASE POINTS & PULL FACE UP. CONTACT FACTORY FOR ADDITIONAL COLORS.

# OPERATION SETTINGS

## LED FUNCTIONALITY

- Blue or white locator LED
- Locator LED can be disabled

