

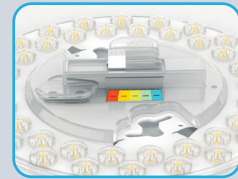
## LED SURFACE MOUNT CLOUD 11", 14"



11"



14"



5 CCT SWITCH ON  
LED BOARD

CRI  
80

COLOR SELECTABLE

2700K 3000K 3500K 4000K 5000K

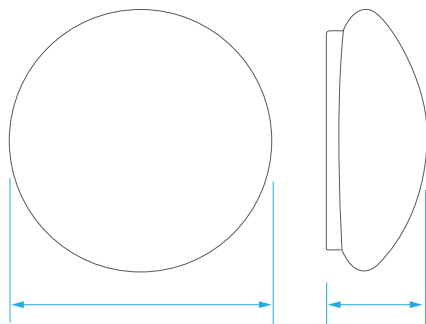
DIMMABLE

TRIAC

DAMP  
LOCATION  
RATED

5  
YEAR  
WARRANTY

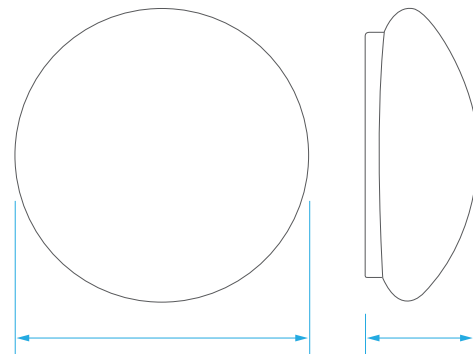
11"



Ø11.02"

3.54"

14"



Ø13.77"

4.56"

## ELECTRICAL

	MODEL	DESCRIPTION	POWER	INPUT VOLTS	EFFICACY	LIFETIME	COST/YR
11"	<a href="#">LR23158</a>	LED11"FLUSH/ROUND/5CCT/2	20	120V	75	50,000	\$ 2.41
14"	<a href="#">LR23162</a>	LED14"FLUSH/ROUND/5CCT/2	25	120V	75	50,000	\$ 3.01

## PHOTOMETRIC

MODEL	DESCRIPTION	COLOR (CCT)	TEMP	LUMEN	FLOOD	CRI	UL
<a href="#">LR23158</a>	LED11"FLUSH/ROUND/5CCT/2	2700K/3000K/3500K/4000K/5000K	CCT SELECT	1500	120°	80	YES
<a href="#">LR23162</a>	LED14"FLUSH/ROUND/5CCT/2	2700K/3000K/3500K/4000K/5000K	CCT SELECT	1875	120°	80	YES