

LED LINEAR STRIP
SLIM - HIGH OUTPUT
48", 96" - CCT SELECT



EMERGENCY + MOTION SENSOR
OPTION ALSO AVAILABLE

LR25185+EM	LR25185+EM+MS	LR25185+MS
LR25187+EM	LR25187+EM+MS	LR25187+MS

BATTERY
BACKUP

MOTION
SENSOR

BATTERY
BACKUP

MOTION
SENSOR

CCT SELECT
 3500K - 5000K

CCT SELECT SWITCH
 ON THE SIDE

CRI
82

COLOR SELECTABLE

3500K

4000K

5000K

DIMMABLE

0-10V

MOTION
SENSOR

*OPTION
AVAILABLE

BATTERY
BACKUP

*OPTION
AVAILABLE

DAMP
LOCATION
RATED

5
YEAR
WARRANTY

ELECTRICAL

MODEL	DESCRIPTION	POWER	INPUT VOLTS	EFFICACY	LIFETIME	EMERGENCY TIME	MOTION SENSOR
LR25185	LED48/LINEAR/3CCT/3WO/UNV/D/HO	34	120-277V	3500K - 139	50,000		
				4000K - 140			
				5000K - 141			
		38		3500K - 136			
				4000K - 137			
				5000K - 138			
		45		3500K - 133			
				4000K - 134			
				5000K - 138			
LR25185+EM	LED48/LINEAR/3CCT/3WO/UNV/D/HO+EM	34	120-277V	3500K - 139	50,000	90 MINS	
				4000K - 140			
				5000K - 141			
		38		3500K - 136			
				4000K - 137			
				5000K - 138			
		45		3500K - 133			
				4000K - 134			
				5000K - 138			
LR25185+MS	LED48/LINEAR/3CCT/3WO/UNV/D/HO+MS	34	120-277V	3500K - 139	50,000		BI-LEVEL
				4000K - 140			
				5000K - 141			
		38		3500K - 136			
				4000K - 137			
				5000K - 138			
		45		3500K - 133			
				4000K - 134			
				5000K - 138			
LR25185+EM+MS	LED48/LINEAR/3CCT/3WO/UNV/D/HO+EM+MS	34	120-277V	3500K - 139	50,000	90 MINS	BI-LEVEL
				4000K - 140			
				5000K - 141			
		38		3500K - 136			
				4000K - 137			
				5000K - 138			
		45		3500K - 133			
				4000K - 134			
				5000K - 138			

48"

ELECTRICAL

MODEL	DESCRIPTION	POWER	INPUT VOLTS	EFFICACY	LIFETIME	EMERGENCY TIME	MOTION SENSOR
LR25187	LED96/LINEAR/3CCT/3WO/UNV/D/HO	65	120-277V	3500K - 139	50,000		
				4000K - 140			
				5000K - 141			
		75		3500K - 136			
				4000K - 137			
				5000K - 138			
		90		3500K - 133			
				4000K - 134			
				5000K - 138			
LR25187+EM	LED96/LINEAR/3CCT/3WO/UNV/D/HO+EM	65	120-277V	3500K - 139	50,000	90 MINS	
				4000K - 140			
				5000K - 141			
		75		3500K - 136			
				4000K - 137			
				5000K - 138			
		90		3500K - 133			
				4000K - 134			
				5000K - 138			
LR25187+MS	LED96/LINEAR/3CCT/3WO/UNV/D/HO+MS	65	120-277V	3500K - 139	50,000		BI-LEVEL
				4000K - 140			
				5000K - 141			
		75		3500K - 136			
				4000K - 137			
				5000K - 138			
		90		3500K - 133			
				4000K - 134			
				5000K - 138			
LR25187+EM+MS	LED96/LINEAR/3CCT/3WO/UNV/D/HO+EM+MS	65	120-277V	3500K - 139	50,000	90 MINS	BI-LEVEL
				4000K - 140			
				5000K - 141			
		75		3500K - 136			
				4000K - 137			
				5000K - 138			
		90		3500K - 133			
				4000K - 134			
				5000K - 138			

96"

PHOTOMETRIC

MODEL	DESCRIPTION	COLOR (CCT)	TEMP	LUMEN	CRI	UL	DLC
LR25185	LED48/LINEAR/3CCT/3WO/UNV/D/HO	3500K	CCT SELECT	3500K - 4726	82	YES	S-O2W9R3
				4000K - 4760			
				5000K - 4794			
		4000K		3500K - 5168			
				4000K - 5206			
				5000K - 5244			
		5000K		3500K - 5985			
				4000K - 6030			
				5000K - 6075			
LR25185+EM	LED48/LINEAR/3CCT/3WO/UNV/D/HO+EM	3500K	CCT SELECT	3500K - 4726	82	YES	S-O2W9R3
				4000K - 4760			
				5000K - 4794			
		4000K		3500K - 5168			
				4000K - 5206			
				5000K - 5244			
		5000K		3500K - 5985			
				4000K - 6030			
				5000K - 6075			
LR25185+MS	LED48/LINEAR/3CCT/3WO/UNV/D/HO+MS	3500K	CCT SELECT	3500K - 4726	82	YES	S-O2W9R3
				4000K - 4760			
				5000K - 4794			
		4000K		3500K - 5168			
				4000K - 5206			
				5000K - 5244			
		5000K		3500K - 5985			
				4000K - 6030			
				5000K - 6075			
LR25185+EM+MS	LED48/LINEAR/3CCT/3WO/UNV/D/HO+EM+MS	3500K	CCT SELECT	3500K - 4726	82	YES	S-O2W9R3
				4000K - 4760			
				5000K - 4794			
		4000K		3500K - 5168			
				4000K - 5206			
				5000K - 5244			
		5000K		3500K - 5985			
				4000K - 6030			
				5000K - 6075			

PHOTOMETRIC

MODEL	DESCRIPTION	COLOR (CCT)	TEMP	LUMEN	CRI	UL	DLC
LR25187	LED96/LINEAR/3CCT/3WO/UNV/D/HO	3500K	CCT SELECT	3500K - 9035	82	YES	S-QRO64I
				4000K - 9100			
				5000K - 9165			
		4000K		3500K - 10200			
				4000K - 10275			
				5000K - 10350			
		5000K		3500K - 11970			
				4000K - 12060			
				5000K - 12150			
LR25187+EM	LED96/LINEAR/3CCT/3WO/UNV/D/HO+EM	3500K	CCT SELECT	3500K - 9035	82	YES	S-QRO64I
				4000K - 9100			
				5000K - 9165			
		4000K		3500K - 10200			
				4000K - 10275			
				5000K - 10350			
		5000K		3500K - 11970			
				4000K - 12060			
				5000K - 12150			
LR25187+MS	LED96/LINEAR/3CCT/3WO/UNV/D/HO+MS	3500K	CCT SELECT	3500K - 9035	82	YES	S-QRO64I
				4000K - 9100			
				5000K - 9165			
		4000K		3500K - 10200			
				4000K - 10275			
				5000K - 10350			
		5000K		3500K - 11970			
				4000K - 12060			
				5000K - 12150			
LR25187+EM+MS	LED96/LINEAR/3CCT/3WO/UNV/D/HO+EM+MS	3500K	CCT SELECT	3500K - 9035	82	YES	S-QRO64I
				4000K - 9100			
				5000K - 9165			
		4000K		3500K - 10200			
				4000K - 10275			
				5000K - 10350			
		5000K		3500K - 11970			
				4000K - 12060			
				5000K - 12150			

COMPATIBILITY

COMPATIBLE WITH:

LR35120
LR35121
Emergency LED Driver



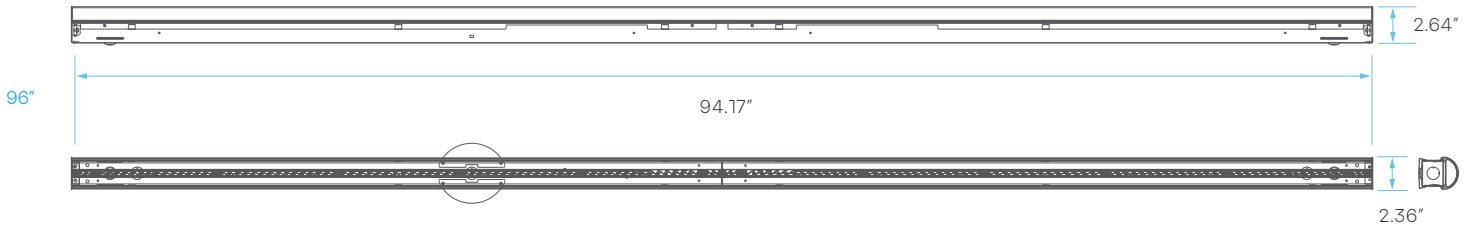
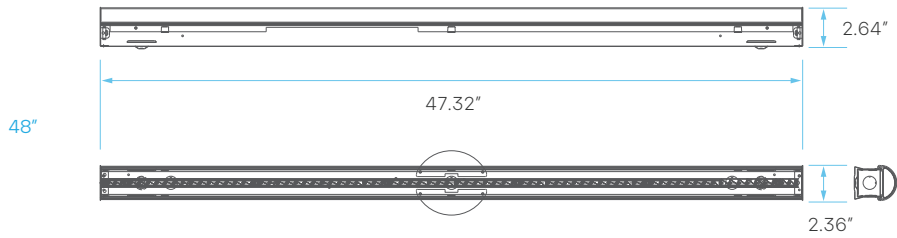
LR25176
SLIM LINEAR
PENDANT



LR25178
SLIM LINEAR
SUSPENSION KIT



DIMENSIONS

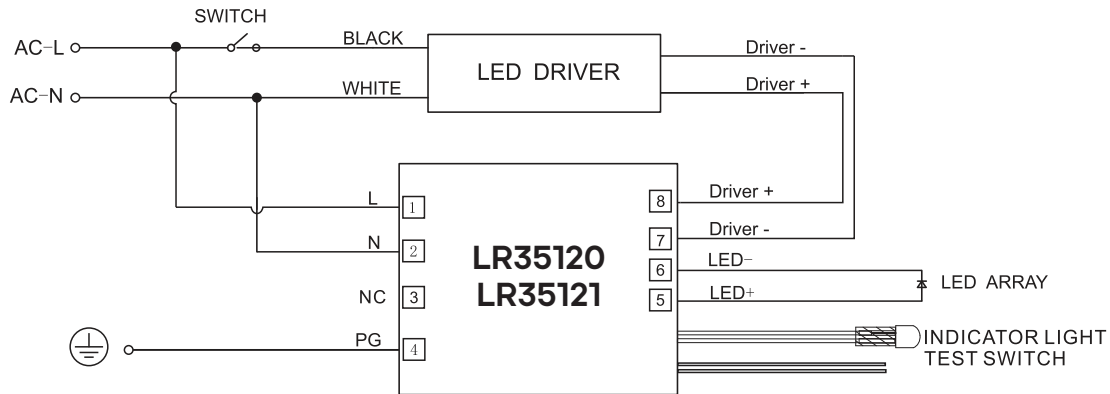


LR35120, LR35121 - SPECIFICATIONS

MODEL	DESCRIPTION	EM POWER	INPUT VOLTS	FREQUENCY	INPUT CURRENT	INPUT POWER	OUTPUT VOLTAGE	RECHARGE TIME	EMERGENCY TIME
LR35120	LED/EMR/8W/DC	8	100-277V	50/60Hz	100mA	7W max	25-48VDC	24Hr	90min
LR35121	LED/EMR/15W/DC	15	100-277V	50/60Hz	100mA	7W max	25-48VDC	24Hr	90min

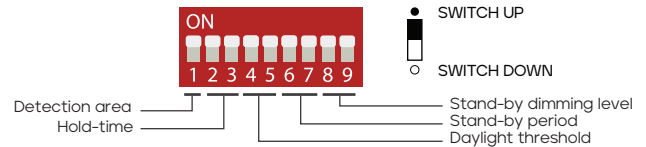
AMBIENT TEMPERATURE: 32°F ~ 104°F

WIRING DIAGRAM



LR25190 - BI-LEVEL MOTION SENSOR SETTINGS

Operating voltage	120-277VAC,50Hz/60Hz
Switching capacity	Max,3.0A@120Vac,50/60Hz; Max,2.0A@277Vac,50/60Hz
Stand-by power	≤1W
Control method	On/off / 1-10V Dimming Remote Control
Microwave frequency	5.8GHz±75MHz
Microwave power	<0.3mW
Detection area	50%/100%
Hold time	5s/30s/1min/10min
Daylight threshold	2Lux/10Lux/50Lux/Disable
Stand-by period	0s/30s/20min/+∞
Stand-by dimming level	10%/20%/30%/50%
Mounting height	8-15m /26.25-49.2ft
Detection range	Max.∅14m/45.93ft
Motion detection	0.5-1.5m/s
Operating temperature	-30°C~+70°C
IP rating	IP20
Warranty	5 years



●	100%
○	50%

DETECTION AREA

In this area, movement will be detected and able to trigger the sensor. 100% detection area is also known as the strong sensitivity.

● ●	5s
○ ●	30s
● ○	1min
○ ○	10min

HOLD-TIME

The period of light keeping 100% brightness after moving objects leave the detection area.

● ●	Disable
○ ●	50lux
● ○	10lux
○ ○	2lux

DAYLIGHT THRESHOLD

Definition of the ambient brightness; only when the ambient brightness is lower than the preset specific lux amount, the sensor will work; when it's preset as "disable", the sensor works everytime it detects motion regardless the ambient brightness.

● ●	0s
○ ●	30s
● ○	20min
○ ○	+ ∞

STAND-BY PERIOD

The period of light keeping low output before it's completely switched off. When it's preset as "+∞", the light always keep at low output if no movement in the detection area and doesn't turn off.

● ●	10%
○ ●	20%
● ○	30%
○ ○	50%

STAND-BY DIMMING LEVEL

The definition of low output in the standby period.