

LED WAREHOUSE

UFO HIGHBAY - 2 CCT & 3 WATTAGE SELECTABLE

150W, 240W, 300W



LR41540 150W
100W | 120W | 150W



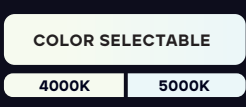
LR41543 150W
100W | 120W | 150W



LR41546 240W
200W | 220W | 240W



LR41549 300W
240W | 270W | 300W



ITEM No.
LR41540

DESCRIPTION
LEDUFO150/3WO/2CCT/V3/BK

POWER
100W
120W
150W

INTEGRAL
SENSOR
RECEPTACLE

6KV
SURGE
PROTECTOR

DLC
LISTED
PREMIUM

UL
CERTIFIED

S-ZTD8QR



PHOTOMETRIC	COLOR TEMPERATURE		4000K		5000K	
	INPUT POWER (TOLERANCE: ±10%)	EFFICACY (TOLERANCE: ±3%)	LUMEN (TOLERANCE: ±10%)	EFFICACY (TOLERANCE: ±3%)	LUMEN (TOLERANCE: ±10%)	
	150	154	23,100	143	21,450	
	120	157	18,840	146	17,520	
100	160	16,000	149	14,900		
	CRI	>80				
	COLOR CONSISTENCY	<7 SDCM				
	UGR	<28 (X=4H, Y=8H; S/H=1; REFLECTANCES: 70% 50% 20%)				
	DIFFUSER TYPE	PC LENS				
	BEAM ANGLE (50%) (TOLERANCE: ±10%)	90°				
ELECTRICAL	INPUT VOLTAGE	120-277VAC				
	FREQUENCY	50/60Hz				
	POWER FACTOR (TOLERANCE: -3%)	>0.9				
	THD (TOLERANCE: +5%)	<20%				
	FLICKER PERCENT	<5%				
	DRIVER BRAND	SOSEN				
	DRIVER MODEL	SS-150CNH-300BHD				
	SURGE PROTECTION	L/N-PE: 6kV, L-N: 6kV				
	DIMMING	0-10V				
	IP RATING	IP-65				
MATERIALS	CHIP	SMD2835				
	LED QTY	352				
	HOUSING	DIE CAST ALUMINUM				
TEMPERATURE	OPERATING TEMPERATURE	-40°F TO 122°F				
	OPERATING HUMIDITY	20% - 90% RH				

ITEM No.
LR41543

DESCRIPTION
LEDUFO150/3WO/2CCT/V3/WT

POWER
100W
120W
150W

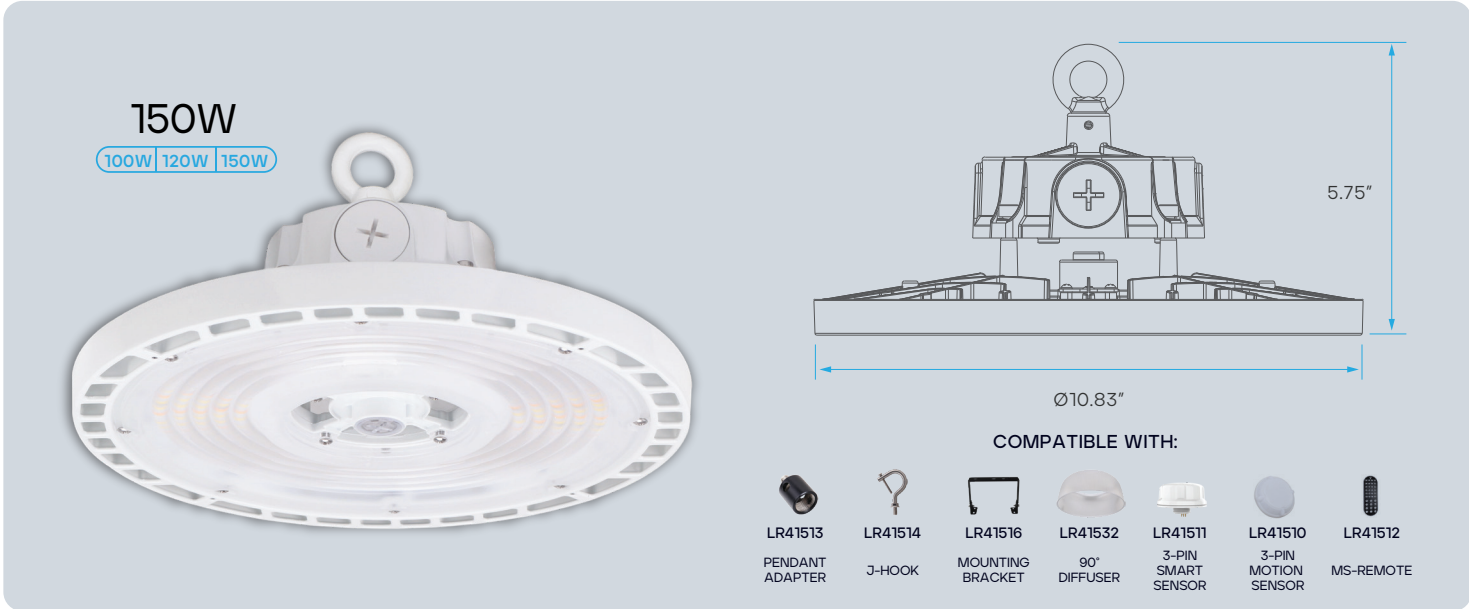
INTEGRAL
SENSOR
RECEPTACLE

6KV
SURGE
PROTECTOR

DLC
LISTED
PREMIUM

UL
CERTIFIED

S-ZTD8QR



PHOTOMETRIC	COLOR TEMPERATURE		4000K		5000K	
	INPUT POWER (TOLERANCE: ±10%)	EFFICACY (TOLERANCE: ±3%)	LUMEN (TOLERANCE: ±10%)	EFFICACY (TOLERANCE: ±3%)	LUMEN (TOLERANCE: ±10%)	
	150	154	23,100	143	21,450	
	120	157	18,840	146	17,520	
100	160	16,000	149	14,900		
	CRI	>80				
	COLOR CONSISTENCY	<7 SDCM				
	UGR	<28 (X=4H, Y=8H; S/H=1; REFLECTANCES: 70% 50% 20%)				
	DIFFUSER TYPE	PC LENS				
	BEAM ANGLE (50%) (TOLERANCE: ±10%)	90°				
ELECTRICAL	INPUT VOLTAGE	120-277VAC				
	FREQUENCY	50/60Hz				
	POWER FACTOR (TOLERANCE: -3%)	>0.9				
	THD (TOLERANCE: +5%)	<20%				
	FLICKER PERCENT	<5%				
	DRIVER BRAND	SOSEN				
	DRIVER MODEL	SS-150CNH-300BHD				
	SURGE PROTECTION	L/N-PE: 6kV, L-N: 6kV				
	DIMMING	0-10V				
	IP RATING	IP-65				
MATERIALS	CHIP	SMD2835				
	LED QTY	352				
	HOUSING	DIE CAST ALUMINUM				
TEMPERATURE	OPERATING TEMPERATURE	-40°F TO 122°F				
	OPERATING HUMIDITY	20% - 90% RH				

ITEM No.
LR41546

DESCRIPTION
LEDUFO240/3WO/2CCT/V3/BK

POWER
200W
220W
240W

INTEGRAL
SENSOR
RECEPTACLE

6KV
SURGE
PROTECTOR

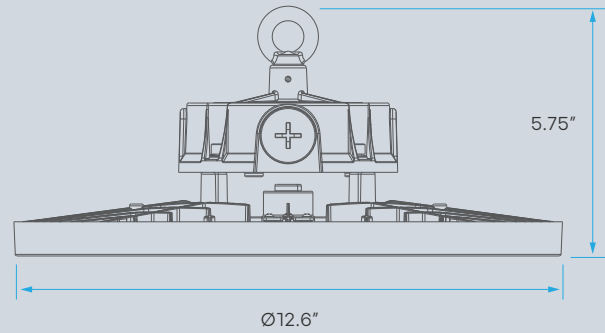
DLC
LISTED
PREMIUM

UL
CERTIFIED

S-PVRL2Q

240W

200W | 220W | 240W



COMPATIBLE WITH:



PHOTOMETRIC	COLOR TEMPERATURE		4000K		5000K	
	INPUT POWER (TOLERANCE: ±10%)	EFFICACY (TOLERANCE: ±3%)	LUMEN (TOLERANCE: ±10%)	EFFICACY (TOLERANCE: ±3%)	LUMEN (TOLERANCE: ±10%)	
	240	154	36,960	145	34,800	
	220	157	34,540	148	32,560	
200	160	32,000	151	30,200		
	CRI	>80				
	COLOR CONSISTENCY	<7 SDCM				
	UGR	<28 (X=4H, Y=8H; S/H=1; REFLECTANCES: 70% 50% 20%)				
	DIFFUSER TYPE	PC LENS				
	BEAM ANGLE (50%) (TOLERANCE: ±10%)	90°				
ELECTRICAL	INPUT VOLTAGE	120-277VAC				
	FREQUENCY	50/60Hz				
	POWER FACTOR (TOLERANCE: -3%)	>0.9				
	THD (TOLERANCE: +5%)	<20%				
	FLICKER PERCENT	<5%				
	DRIVER BRAND	SOSEN				
	DRIVER MODEL	SS-240CNH-300BHD				
	SURGE PROTECTION	L/N-PE: 6kV, L-N: 6kV				
	DIMMING	0-10V				
	IP RATING	IP-65				
MATERIALS	CHIP	SMD2835				
	LED QTY	576				
	HOUSING	DIE CAST ALUMINUM				
TEMPERATURE	OPERATING TEMPERATURE	-40°F TO 122°F				
	OPERATING HUMIDITY	20% - 90% RH				

ITEM No.
LR41549

DESCRIPTION
LEDUFO300/3WO/2CCT/V3/BK

POWER
240W
270W
300W

INTEGRAL
SENSOR
RECEPTACLE

6KV
SURGE
PROTECTOR

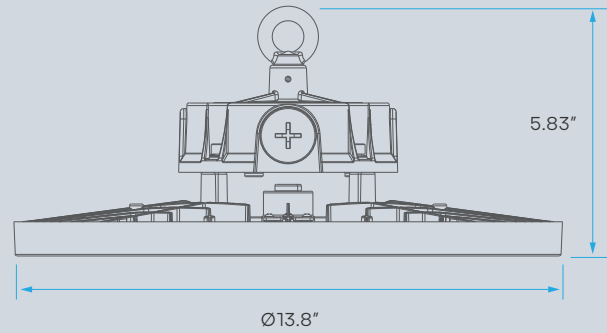
DLC
LISTED
PREMIUM

UL
CERTIFIED

S-HQ8LWC

300W

240W | 270W | 300W



COMPATIBLE WITH:



PHOTOMETRIC	COLOR TEMPERATURE		4000K		5000K	
	INPUT POWER (TOLERANCE: ±10%)	EFFICACY (TOLERANCE: ±3%)	LUMEN (TOLERANCE: ±10%)	EFFICACY (TOLERANCE: ±3%)	LUMEN (TOLERANCE: ±10%)	
	300	148	44,400	142	42,600	
	270	151	40,770	145	39,150	
240	154	36,960	148	35,520		
	CRI	>80				
	COLOR CONSISTENCY	<7 SDCM				
	UGR	<28 (X=4H, Y=8H; S/H=1; REFLECTANCES: 70% 50% 20%)				
	DIFFUSER TYPE	PC LENS				
	BEAM ANGLE (50%) (TOLERANCE: ±10%)	90°				
ELECTRICAL	INPUT VOLTAGE	120-277VAC				
	FREQUENCY	50/60Hz				
	POWER FACTOR (TOLERANCE: -3%)	>0.9				
	THD (TOLERANCE: +5%)	<20%				
	FLICKER PERCENT	<5%				
	DRIVER BRAND	SOSEN				
	DRIVER MODEL	SS-320CNH-300BHD				
	SURGE PROTECTION	L/N-PE: 6kV, L-N: 6kV				
	DIMMING	0-10V				
	IP RATING	IP-65				
MATERIALS	CHIP	SMD2835				
	LED QTY	768				
	HOUSING	DIE CAST ALUMINUM				
TEMPERATURE	OPERATING TEMPERATURE	-40°F TO 122°F				
	OPERATING HUMIDITY	20% - 90% RH				

ACCESSORIES



PENDANT ADAPTER

LR41513
*SOLD SEPARATELY



J-HOOK
LR41514

*SOLD SEPARATELY



MOUNTING BRACKET

LR41516
*SOLD SEPARATELY

MODEL	DESCRIPTION	MODEL	DESCRIPTION	MODEL	DESCRIPTION
LR41513	LEDUFO/M10/34P/ADAPTER	LR41514	LEDUFO/JHOOK	LR41516	LEDUFO150/SMBRACKET



3-PIN SMART SENSOR
LR41511

*SOLD SEPARATELY



3-PIN MOTION SENSOR
LR41510

*SOLD SEPARATELY



REMOTE

LR41512
*SOLD SEPARATELY

MODEL	DESCRIPTION	MODEL	DESCRIPTION	MODEL	DESCRIPTION
LR41511	LEDSNS/UFO/MW/BIlevel/SMART/3XP	LR41510	LEDUFO150/MS	LR41512	LEDUFO150/REMOTE



EM BATTERY BACKUP
LR35127

*SOLD SEPARATELY



90° DIFFUSER

LR41532
90° DIFFUSER FOR LR41526 240W HIGHBAY

*SOLD SEPARATELY

MODEL	DESCRIPTION	MODEL	DESCRIPTION
LR35127	LED/EMR/30W/UFO/100-347V	LR41532	LEDUFO240/V2/90D/AC/DIF

COMPATIBLE EMERGENCY LED DRIVER & BATTERY PACK

*SOLD SEPARATELY



LR35127 - SPECIFICATIONS

MODEL	DESCRIPTION	EM POWER	INPUT VOLTS	FREQUENCY	INPUT CURRENT	INPUT POWER	OUTPUT VOLTAGE	RECHARGE TIME	EMERGENCY TIME
LR35127	LED/EMR/30W/UFO/100-347V	30	100-347V	50/60Hz	<200mA	15W	170VDC	24Hr	90min

AMBIENT TEMPERATURE: 41°F ~ 122°F