

LUXRITE®

LED CANLESS - SPOTLIGHT

TAMPA COLLECTION

REGRESSED-RECESSED GIMBAL

3"



LR23227

4"



LR23228

CRI
90

COLOR SELECTABLE

2700K 3000K 3500K 4000K 5000K

DIMMABLE

TRIAC



HIGH
OUTPUT

AIR
TIGHT

IC
RATED



120V



LR23227

LED12W/RDL3/GB/HO/5CCT/FL



APERTURE	3"
DISTRIBUTION	GIMBAL
APPLICATION	NEW CONSTRUCTION & REMODEL

ELECTRICAL

POWER	12W
INPUT VOLTS	120V
INPUT CURRENT	110mA
FREQUENCY	60Hz
DIMMING TYPE	TRIAC
DIMMING RANGE	10-100%
FEED WIRE GAUGE	22AWG
BREAKER SPECIFICATION (15A @120V)	99pcs*

*Mathematically estimated value. Actual capacity may vary by breaker type and installation environment.

PHOTOMETRIC

COLOR CCT	2700K/3000K/3500K/4000K/5000K
CRI	90
LUMEN	900lm
EFFICACY	75lm/w
BEAM ANGLE	60°

CERTIFICATIONS & SAFETY

LR23227	ETL
DAMP LOCATION	YES
IC RATED	YES
AIR TIGHT	YES
OPERATING TEMP.	-13°F to 104°F
COST/YR	\$ 1.44
WARRANTY	3 YR

MATERIAL & APPLICATION

HEAT SINK	ALUMINUM
TRIM	ALUMINUM
LENS	PC
CUTOUT	Ø3.34"
MOUNTING TYPE	RECESSED
ROTATION	360°
TILT	30°
AREA OF APPLICATION	RESIDENTIAL, COMMERCIAL
CEILING TYPE	DRYWALL, WOOD

DRIVER

	POWER	INPUT VOLTS	INPUT CURRENT	FREQUENCY	INPUT POWER	OUTPUT VOLTAGE	DIMENSIONS	KNOCKOUTS
INCLUDED DRIVER	12	120V	110mA	60Hz	12W max	36V DC	3.85"L X 2.32"W X 1.5"H	4

MODEL	DESCRIPTION	EM POWER	INPUT VOLTS	INPUT CURRENT	FREQUENCY	INPUT POWER	OUTPUT VOLTAGE	RECHARGE TIME	EMERGENCY TIME
LR35126**	LED/EMR/15W/AC/SF/E	15	100-347V	100mA	50/60Hz	12W max	170V DC	24HR	90MINS

*AMBIENT TEMPERATURE: 41°F ~ 122°F
**SOLD SEPARATELY

DIMENSIONS

CUTOUT: Ø3.34"

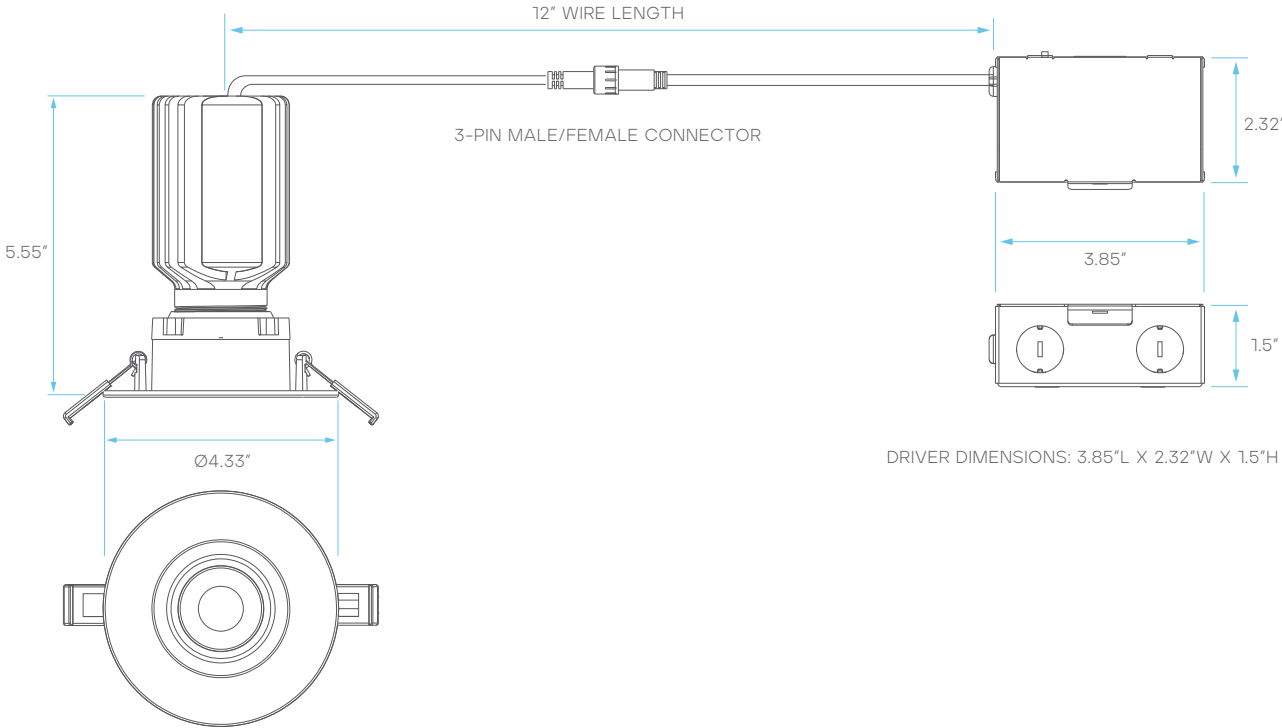
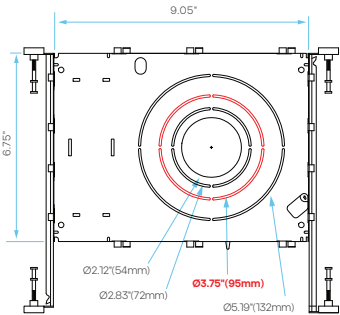


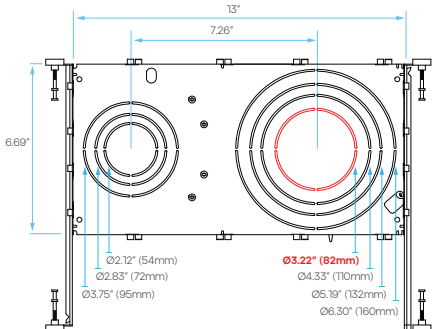
PLATE COMPATIBILITY*

*SOLD SEPARATELY

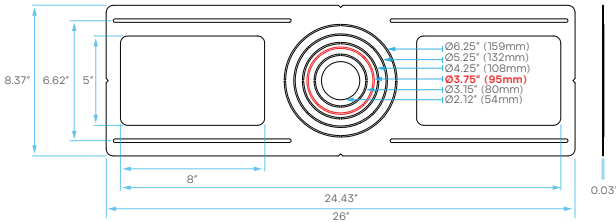
LR41004
KNOCKOUT
2



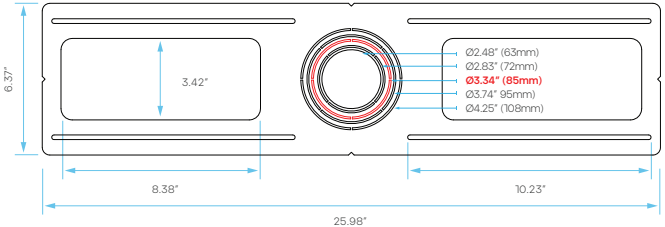
LR41010
KNOCKOUT
R0



LR41006
KNOCKOUT
2



LR41011
KNOCKOUT
2



LR23228

LED18W/RDL4/GB/HO/5CCT/FL



APERTURE	4"
DISTRIBUTION	GIMBAL
APPLICATION	NEW CONSTRUCTION & REMODEL

ELECTRICAL

POWER	18W
INPUT VOLTS	120V
INPUT CURRENT	150mA
FREQUENCY	60Hz
DIMMING TYPE	TRIAC
DIMMING RANGE	10-100%
FEED WIRE GAUGE	24AWG
BREAKER SPECIFICATION (15A @120V)	66pcs*

*Mathematically estimated value. Actual capacity may vary by breaker type and installation environment.

PHOTOMETRIC

COLOR CCT	2700K/3000K/3500K/4000K/5000K
CRI	90
LUMEN	1500lm
EFFICACY	83lm/w
BEAM ANGLE	60°

CERTIFICATIONS & SAFETY

LR23228	ETL
DAMP LOCATION	YES
IC RATED	YES
AIR TIGHT	YES
OPERATING TEMP.	-4°F to 104°F
COST/YR	\$ 2.16
WARRANTY	3 YR

MATERIAL & APPLICATION

HEAT SINK	ALUMINUM
TRIM	ALUMINUM
LENS	PC
CUTOUT	Ø4.92"
MOUNTING TYPE	RECESSED
ROTATION	360°
TILT	30°
AREA OF APPLICATION	RESIDENTIAL, COMMERCIAL
CEILING TYPE	DRYWALL, WOOD

DRIVER

	POWER	INPUT VOLTS	INPUT CURRENT	FREQUENCY	INPUT POWER	OUTPUT VOLTAGE	DIMENSIONS	KNOCKOUTS
INCLUDED DRIVER	18	120V	150mA	60Hz	18W max	36V DC	5.43"L X 3.03"W X 1.33"H	4

MODEL	DESCRIPTION	EM POWER	INPUT VOLTS	INPUT CURRENT	FREQUENCY	INPUT POWER	OUTPUT VOLTAGE	RECHARGE TIME	EMERGENCY TIME
LR35126**	LED/EMR/15W/AC/SF/E	15	100-347V	100mA	50/60Hz	12W max	170V DC	24HR	90MINS

*AMBIENT TEMPERATURE: 41°F ~ 122°F
**SOLD SEPARATELY

DIMENSIONS

CUTOUT: Ø4.92"

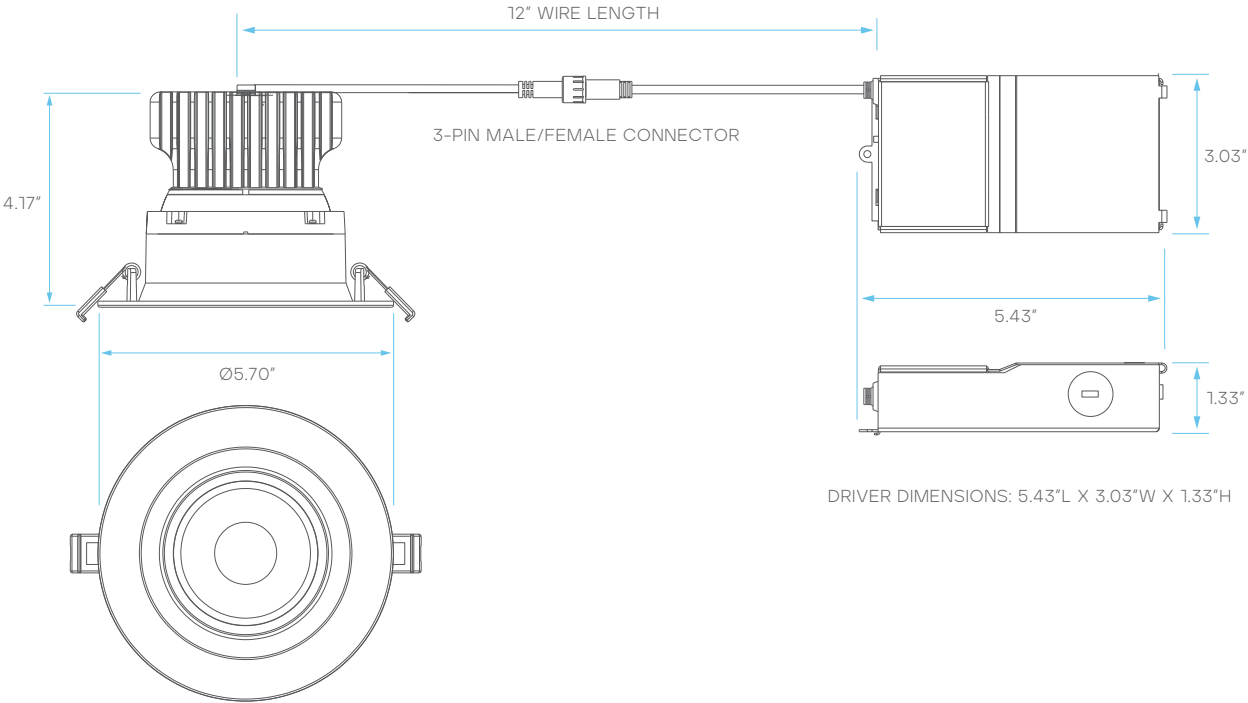
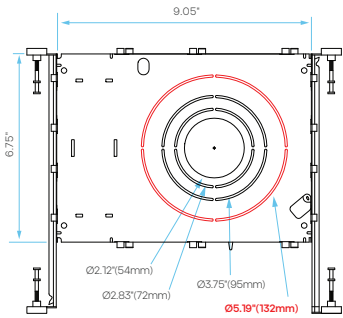


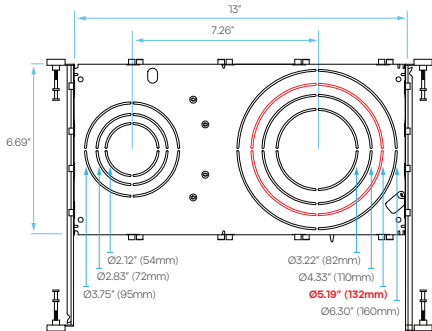
PLATE COMPATIBILITY*

*SOLD SEPARATELY

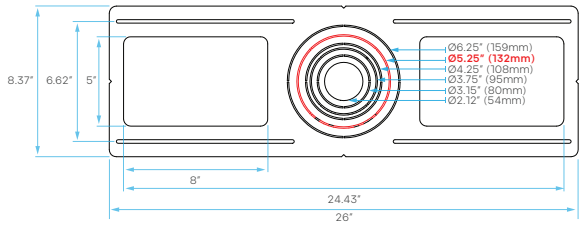
LR41004
KNOCKOUT
3



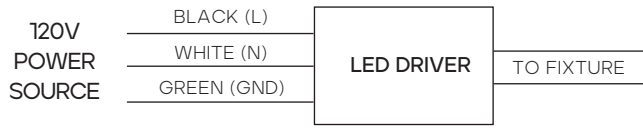
LR41010
KNOCKOUT
R2



LR41006
KNOCKOUT
4



WIRING DIAGRAM



SUGGESTED COMPATIBLE DIMMER*

LUTRON	CTCL-153P
	DVCL-153PDH
	DVCL-153P
LEVITON	6672
	6674
PASS & SEYMOUR	HCL453PTCCCV6

*Dimmer performance may vary based on load, wiring, and installation conditions. Inclusion on this chart does not guarantee compatibility for every installation, and omission does not indicate incompatibility. Refer to the dimmer manufacturer's installation instructions and verify minimum load requirements to avoid field issues.

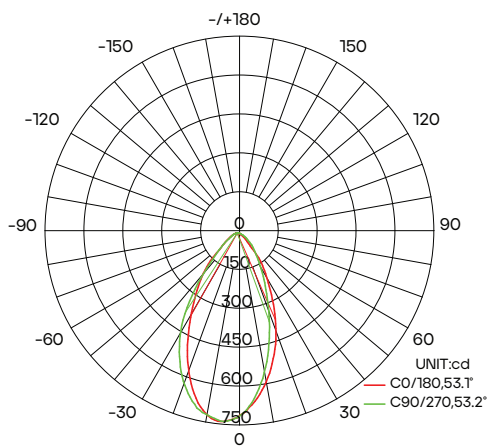
PACKAGING

MODEL	STYLE	INNER BOX DIMENSIONS	MASTER CARTON DIMENSIONS	CASE
LR23227	INNER BOX + MASTER CARTON	5.51" X 5.11" X 6.10"	16.33" X 11.61" X 19.29"	18
LR23228	INNER BOX + MASTER CARTON	6.88" X 6.88" X 4.72"	21.46" X 14.37" X 15.16"	18

LuxiFlow™ PHOTOMETRICS

Luxrite® Luxiflow® tool is for informational purposes only, it is not intended to provide lighting or electrical advice.

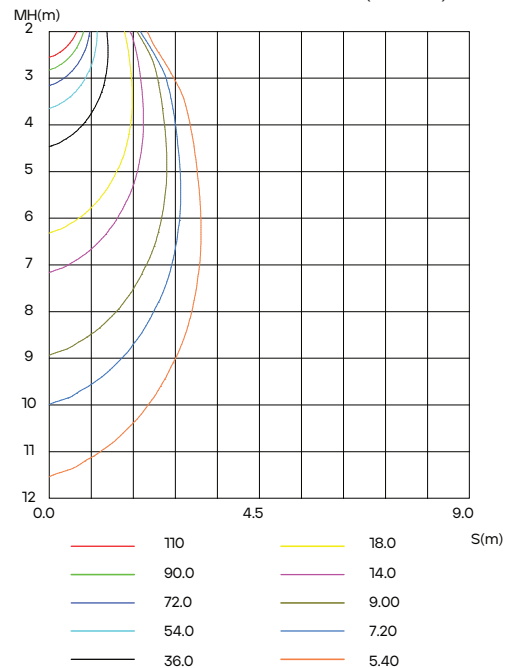
LUMINOUS INTENSITY DISTRIBUTION DIAGRAM



AVERAGE BEAM ANGLE(50%): 53.2 DEG

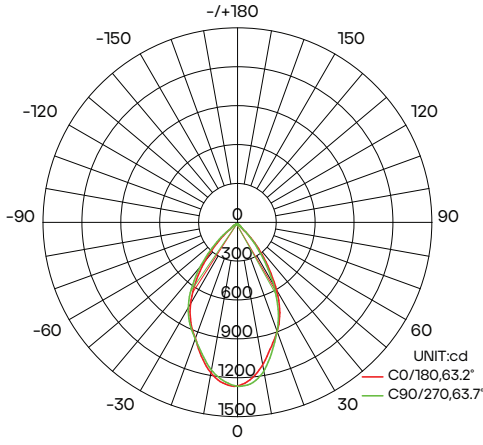
*DIAGRAM SHOWING LR23227 AT 2700K

CO PLANE ISOLUX DIAGRAM (UNIT:lx)



Luxrite® Luxiflow® tool is for informational purposes only, it is not intended to provide lighting or electrical advice.

LUMINOUS INTENSITY DISTRIBUTION DIAGRAM



AVERAGE BEAM ANGLE(50%): 63.5 DEG

*DIAGRAM SHOWING LR23228 AT 2700K

C0 PLANE ISOLUX DIAGRAM (UNIT:lx)

