



L.T.F.

Dimmable Low Voltage LED Driver- CLASS 2



60W DS60W-3002 120-277V UniDriver Series Constant Current & Constant Voltage Models

UNIDRIVER



Efficiency	higher than 83%
Power Factor	>95%
Case TC	90°C Max.
Protection	Input / Output
Storage	-30°C / +90°C
Humidity	95% RH Max.
IP Rating	IP 60
Class	Class 2 Power Supply
Dimming	0-10V, TRIAC, ELV



RoHS



FCC Part 15
Class B compliant



5
7*10*
YEAR WARRANTY

*Ask for more information

- Universal dimmable; 0-10V, TRIAC, and ELV dimming
- Universal input voltage: 120-277V AC
- Exceeds Title 24 requirements
- Isolated output power per NEC and UL safety requirements
- UL recognized / Listed, UL8750, UL1310
- Auto-reset; short circuit, overload and thermal protection

FEATURES

- Superior thermal performance
- Aluminum case with high W/m.K encapsulating material
- Class 2 power supply and other than Class 2 options
- Efficient, high power factor, low THD.
- Constant current and constant voltage models available

ELECTRICAL SPECIFICATIONS

Constant Current					
Model #	Input	Wattage	Output Voltage	Output Current	Available Form Factors
DS60W700C7186UD-3002	120-277V AC 0.62A 50/60Hz	60 Watts	71-86V DC	700mA	F5, R
DS60W900C5267UD-3002			52-67V DC	900mA	
DS60W1100C4055UD-3002			40-55V DC	1100mA	
DS60W1400C2843UD-3002			28-43V DC	1400mA	
DS60W1800C1833UD-3002			18-33V DC	1800mA	
DS60W2100C1429UD-3002			14-29V DC	2100mA	
DS60W2400C1025UD-3002			10-25V DC	2400mA	

Constant Voltage					
Model #	Input	Wattage	Output Voltage	Output Current	Available Form Factors
DS60W12VUD-3002	120-277V AC 0.62A 50/60Hz	60 Watts	12V DC	5A	F5, R
DS60W24VUD-3002			24V DC	2.5A	
DS60W36VUD-3002			36V DC	1.67A	
DS60W48VUD-3002			48V DC	1.25A	

L.T.F. L.L.C. PHONE: (847) 498-5832 FAX: (773) 337-5628 EMAIL: LTFsales@lfttechnology.com

Company's Address: 11966 Oak Creek Pkwy. Unit H, Huntley IL 60142 U.S.A. www.lfttechnology.com

© L.T.F., L.L.C. All rights reserved. L.T.F. reserves the right to change specification for product improvements without notification



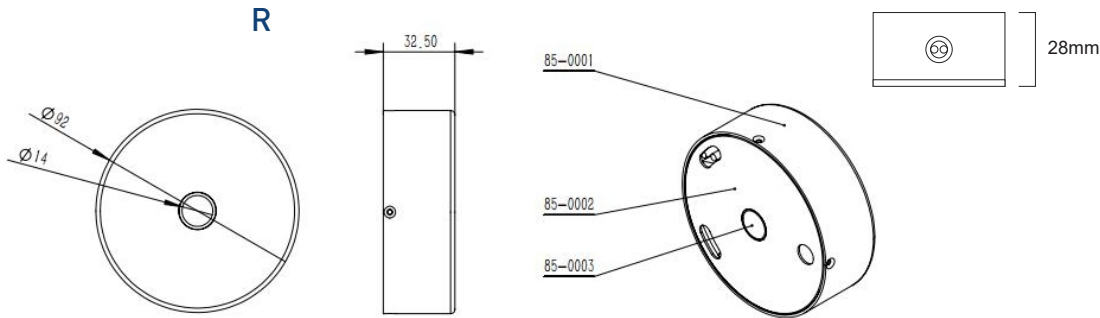
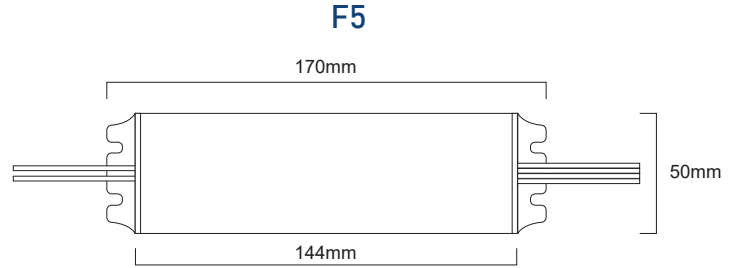
L.T.F.

Dimmable Low Voltage LED Driver- CLASS 2

**60W DS60W-3002 120-277V UniDriver Series
Constant Current & Constant Voltage Models**

MECHANICAL SPECS

Available Form Factors	Dimensions
"F5"	170(144)x50x28mm
"R"	92 (OD) x 32.5mm



REMOTE ENCLOSURES - UL LISTED

Model	Enclosure Type	Enclosure Dimensions
LDS60W-XXX-UDRE-3002	G2 (Damp Rated)	233.1 x 85.5 x 48.9mm
LDS60W-XXX-UDREO-3002	G3 (Wet Rated)	280 x 103 x 56mm

