

# ADJUSTABLE LED WALL PACK

## INSTALLATION INSTRUCTIONS

**PLEASE FIND A QUALIFIED ELECTRICIAN FOR INSTALLATION. Please read the instructions before you install and use the luminaire.**

### APPLICATION

Building mount for exterior illumination needs (including entryway, pathway, stairwell, security, and other general site lighting requirements)

### SAFETY AND ELECTRICAL PARAMETERS

#### Warning

- To reduce the risk of death, personal injury, or property damage from fire, electric shock, falling parts, cuts/abrasions, and other hazards, read all warnings and instructions included with and/or the fixture box and fixture labels.
- Before installing, servicing, or performing routine maintenance upon this equipment, follow these general precautions.
- Commercial installation, service, and maintenance of luminaires should be performed by a qualified licensed electrician.
- Please abide by all relevant country, regional, and local code requirements and regulations when installing this luminaire. Wiring must be in accordance with NEC and all applicable local, state, and federal codes.
- Do not make or alter any holes unnecessarily in an enclosure of wiring or electrical components during the installation. Additional holes in the housing are permitted only for mounting hardware and must be properly sealed with silicone (not provided) in order to maintain watertight operation of the fixture.

#### Warning

- Turn off electrical power at the fuse or circuit breaker box before wiring fixture to the building power.
- Turn off the electrical power when you perform any maintenance.
- Verify that supply voltage is correct by comparing it with the luminaire label information. Do not install with supply voltage that exceeds the rated input voltage of the luminaire. This fixture is rated for 120-277V input.
- All wiring connections should be capped with UL approved wire connectors.

#### Caution

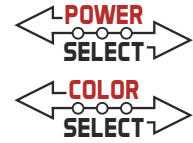
- Avoid direct eye exposure to the light source while it is on.
- Be aware of small parts enclosed and destroy packaging material, as these may be hazardous to children.
- Risk of burn. Disconnect power and allow fixture to cool before handling or servicing.

#### Notice

- All fixture installs must be properly grounded.
- Minimum of 90°C supply conductors.
- Specifications and dimensions subject to change without notice. Contact Keystone with any questions or concerns.
- Fixture is IP65 rated: suitable for wet locations
- Ensure ambient operating temperature between -40°C/-40°F to 50°C/122°F is maintained. Exceeding these temperature ranges will void warranty and may reduce lifetime or cause performance issues.
- Inspect fixture for any damages before installing. If there is any damage, please do not install and contact Keystone or authorized distributor for resolution.
- Fixture should not be recessed. Housing must be mounted with lens facing towards the ground.
- Fixture is intended for outdoor use only.

### COMPONENTS INCLUDED IN KIT

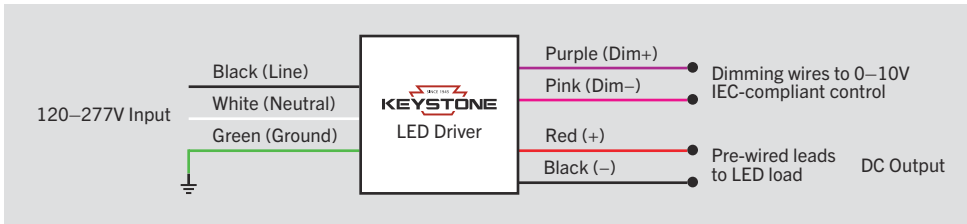
Part	Quantity
Adjustable LED Wall Pack	1
Instruction sheet	1



# ADJUSTABLE LED WALL PACK

## GENERAL SETUP INSTRUCTIONS

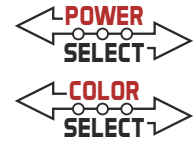
### GENERAL WIRING DIAGRAM



*Note: \*In accordance with NEC-20 410.69 2022, all 0-10V negative wires have been updated from gray to pink. Please contact Keystone for details*

## ELECTRICAL SPECIFICATIONS

Catalog Number	Wattage	CCT	Lumens	Efficacy	Dimming	CRI	Input Voltage	Mounting	Photocell	Housing Color	Rated Life	Legacy Equivalent
KT-WPLED35PS-S3-8CSB-VDIM	35W	3000K	4375	125 lm/W	0-10V	>80	120-277V	Wall Mount	Included	Bronze	50,000 hrs	150W MH
		4000K	5075	145 lm/W								
		5000K	4725	135 lm/W								
	25W	3000K	3375	135 lm/W								
		4000K	3750	150 lm/W								
		5000K	3625	145 lm/W								
	15W	3000K	2178	145 lm/W								
		4000K	2325	155 lm/W								
		5000K	2250	150 lm/W								
KT-WPLED35PS-S3-8CSB-VDIM-W	35W	3000K	4375	125 lm/W	0-10V	>80	120-277V	Wall Mount	Included	White	50,000 hrs	150W MH
		4000K	5075	145 lm/W								
		5000K	4725	135 lm/W								
	25W	3000K	3375	135 lm/W								
		4000K	3750	150 lm/W								
		5000K	3625	145 lm/W								
	15W	3000K	2178	145 lm/W								
		4000K	2325	155 lm/W								
		5000K	2250	150 lm/W								
KT-WPLED75PS-M3-8CSB-VDIM	75W	3000K	9375	125 lm/W	0-10V	>80	120-277V	Wall Mount	Included	Bronze	50,000 hrs	320W MH
		4000K	10875	145 lm/W								
		5000K	10125	135 lm/W								
	60W	3000K	8100	135 lm/W								
		4000K	9000	150 lm/W								
		5000K	8700	145 lm/W								
	45W	3000K	6319	140 lm/W								
		4000K	6975	155 lm/W								
		5000K	6750	150 lm/W								
KT-WPLED75PS-M3-8CSB-VDIM-W	75W	3000K	9375	125 lm/W	0-10V	>80	120-277V	Wall Mount	Included	White	50,000 hrs	320W MH
		4000K	10875	145 lm/W								
		5000K	10125	135 lm/W								
	60W	3000K	8100	135 lm/W								
		4000K	9000	150 lm/W								
		5000K	8700	145 lm/W								
	45W	3000K	6319	140 lm/W								
		4000K	6975	155 lm/W								
		5000K	6750	150 lm/W								



# ADJUSTABLE LED WALL PACK

**GENERAL SETUP INSTRUCTIONS**

**ANGLE ADJUSTMENT INSTRUCTIONS**

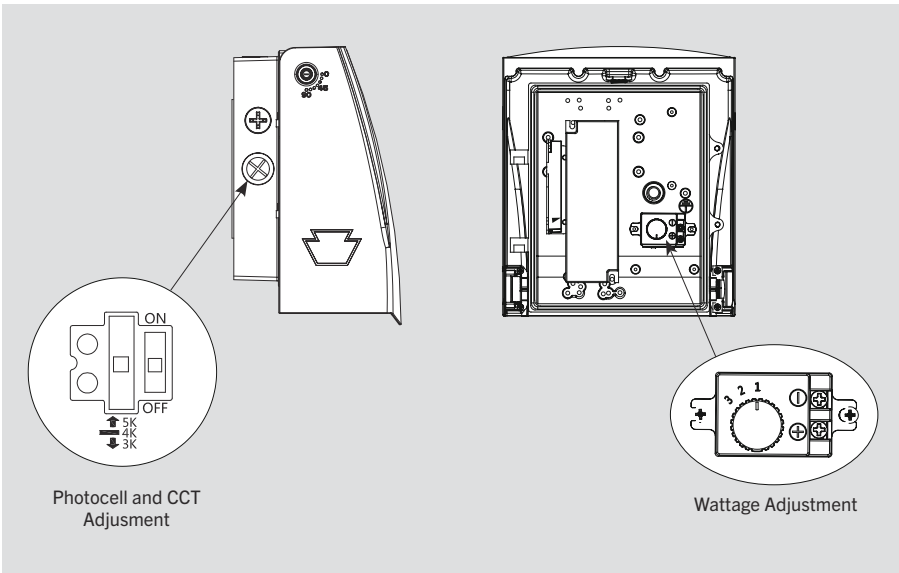
1. Loosen the screw on the side of the housing using an Allen wrench (Figure 1, on next page).
2. Adjust housing to desired setting, 0° - 90° in 15° intervals.
3. Tighten the screw on the side of the housing using the Allen wrench in Step 1.

**PHOTOCELL AND CCT ADJUSTMENT**

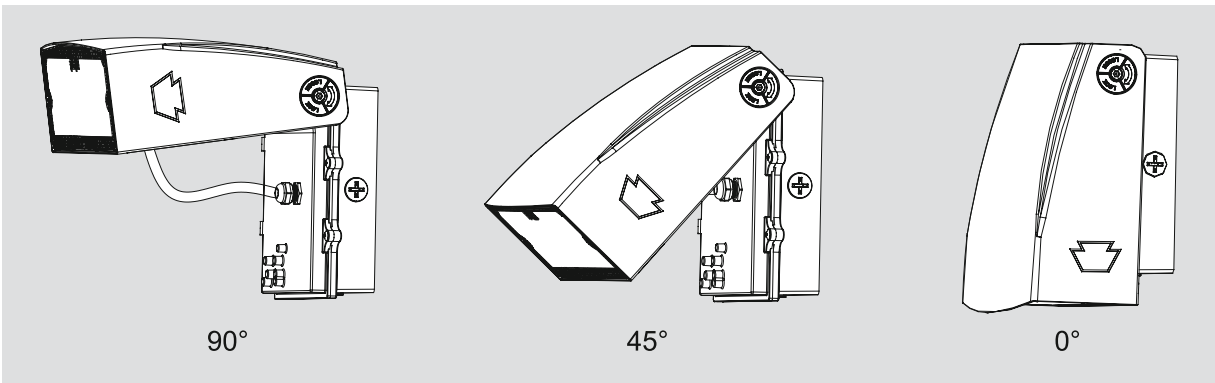
This fixture is equipped with a dusk to dawn photocell behind the translucent knockout (KO). Enable or disable the photocell by removing the cap and adjusting the dip switch to your desired setting. Fixture comes preset with photocell enabled. This fixture is also equipped with Keystone Color Select technology. The CCT dip switch is located in the same KO as the photocell. Remove the cap and adjust to your desired setting. This fixture comes preset to 5000K.

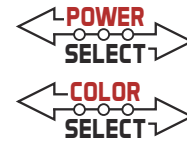
**WATTAGE ADJUSTMENT**

This fixture is equipped with Keystone Power Select technology. The adjustable knob is located in the driver compartment. See instructions below on how to access. Fixture comes preset to either 75W or 35W, depending on model ordered.



*Note: Settings in drawing used for reference. Different models will show different settings.*

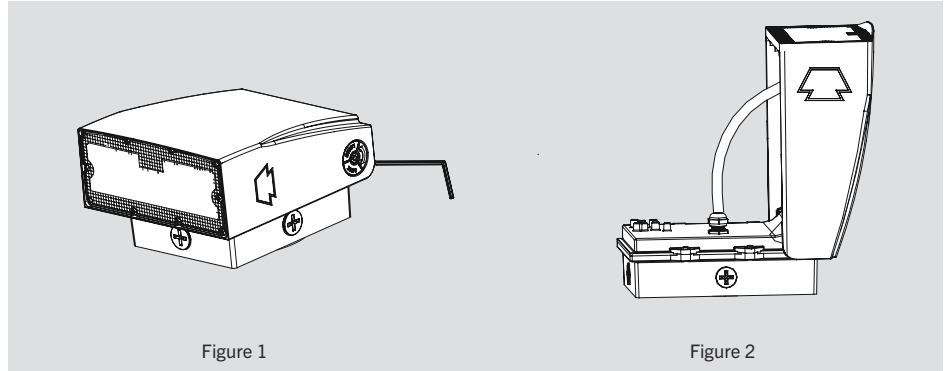




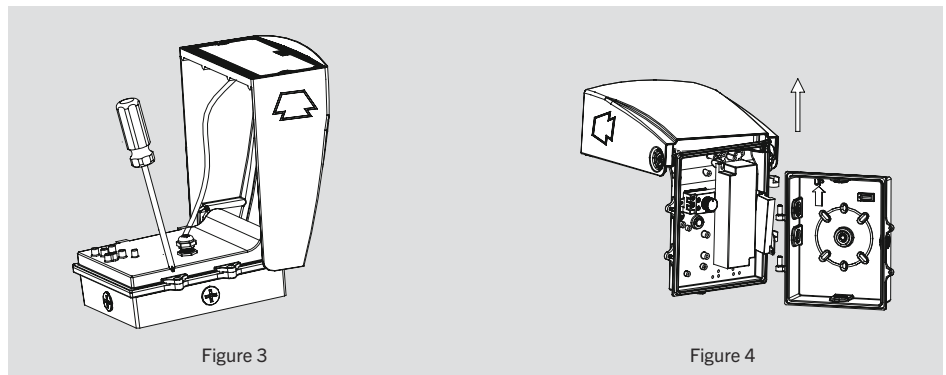
## ADJUSTABLE LED WALL PACK

### INSTALLATION INSTRUCTIONS

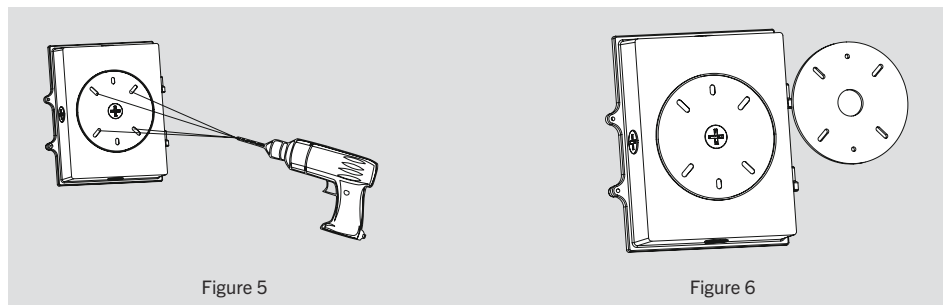
1. Loosen the screw on the side of the housing using an Allen wrench (Figure 1) and open the cover to a 90° angle (Figure 2).



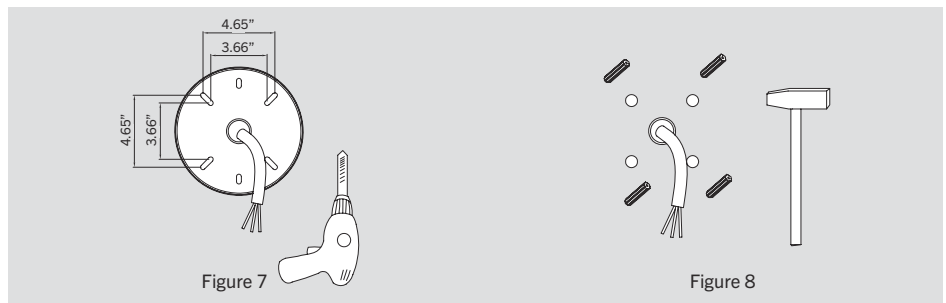
2. Remove the screws on the driver box cover and separate the cover from the housing (Figures 3 & 4).



3. In the marked locations, drill holes into the driver box cover (Figure 5) and adhere the EVA mat to the back of the cover (Figure 6).



4. Feed wires through box cover and drill holes into wall or junction box. (Figure 7 & 8).

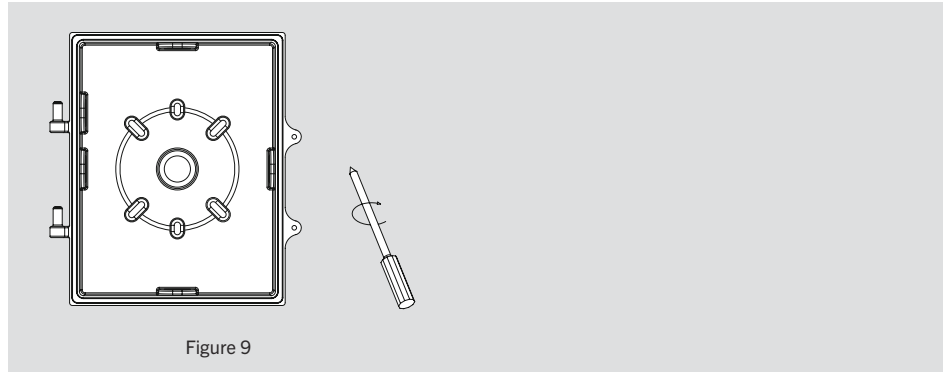


(Installation Instructions continued on next page)

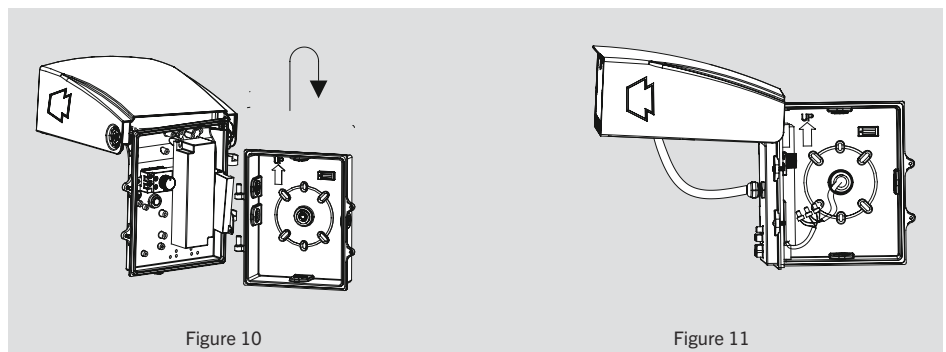
## ADJUSTABLE LED WALL PACK

### INSTALLATION INSTRUCTIONS (continued)

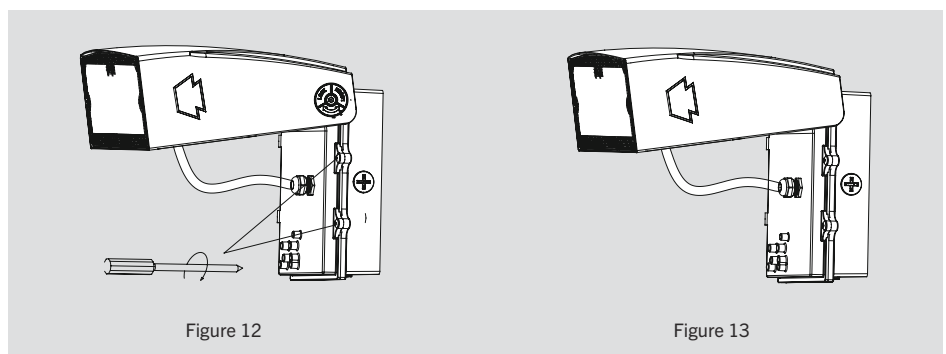
5. Align the holes on the box cover with the holes on the wall, and tighten the screws (Figure 9)



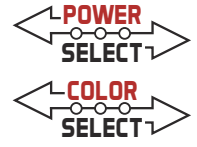
6. Reattach the housing, removed in Step 2, to the driver box cover (Figure 10) and reconnect the wires (Figure 11).



7. Once wires are connected, close the housing and fasten with screws (Figure 12). Adjust to desired setting (Figure 13, showing 90° setting).



SAVE THESE INSTRUCTIONS



## ADJUSTABLE LED WALL PACK

THIS PAGE IS INTENTIONALLY LEFT BLANK