

LED-HW3-24V-60W

60W Outdoor LED Driver, 24V DC
Cabinet, Cove & Display

Job Information		
Project Name		Type
Location		
Quantity		Date
Contact/Phone		
Notes		

Features

Features & Benefits

- Constant voltage design.
- Short-circuit protection.
- Overload protection.
- Over-voltage protection.
- Class 2 power supply, LPS.

AC Input Details

- AC input voltage range: 100-240V.
- AC input current: 1.2A/115V AC.
- Input frequency range: 50/60Hz.
- Leakage current: 0.25mA.

DC Output Details

- DC voltage: 24V.
- DC current: 2.5A.
- Typical working efficiency: 86%.
- Rated power: 60W.
- Voltage tolerance: $\pm 5.0\%$.

Environmental Requirements

- Working temperature: $-30\sim+70^{\circ}\text{C}$ ($-22\sim+158^{\circ}\text{F}$).
- Operating humidity: 20-90% RH (non-condensing).
- Storage temperature: $-40\sim+80^{\circ}\text{C}$ ($-40\sim+176^{\circ}\text{F}$).
- Storage humidity: 10-95% RH.

Linkage

- The LED driver is equipped 24" (600mm) bare wires for input and output.

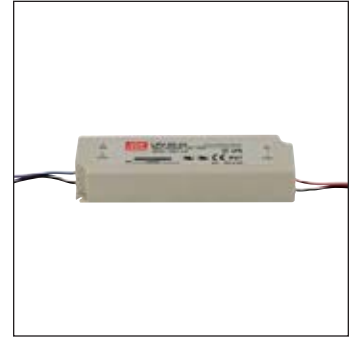
Construction

- Fully encapsulated plastic case with IP67 level.
- Driver must be installed in a suitable enclosure.

Compatibility

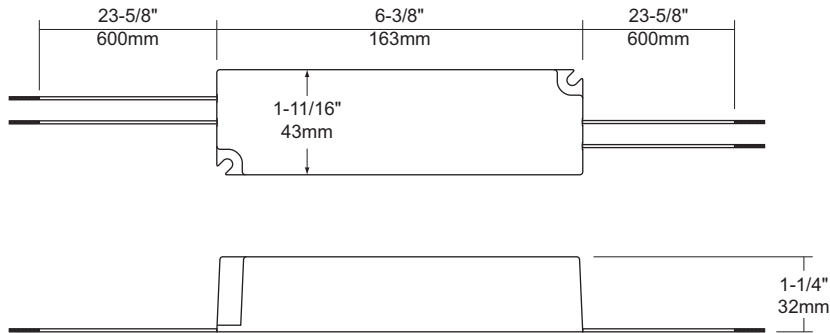
Compatible with all Liteline® constant voltage 24 volt outdoor LED lighting, including:

- LED-TP5 and LED-TP6 series LED tape.
- LED-STR3 series LED strip.



Description

The LED-HW3-24V-60W is a 24V 60W outdoor LED driver providing constant voltage output.



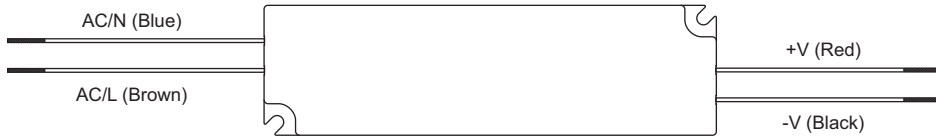
IP67

Notes: Accessories should be ordered separately. For additional options please consult your Liteline representative. Due to our continued efforts to improve our products, product specifications are subject to change without notice.

Ordering Guide

-  **LED-HW3-24V-60W**
60W outdoor LED driver, 24V.

Wiring Diagram



Derating Curve

