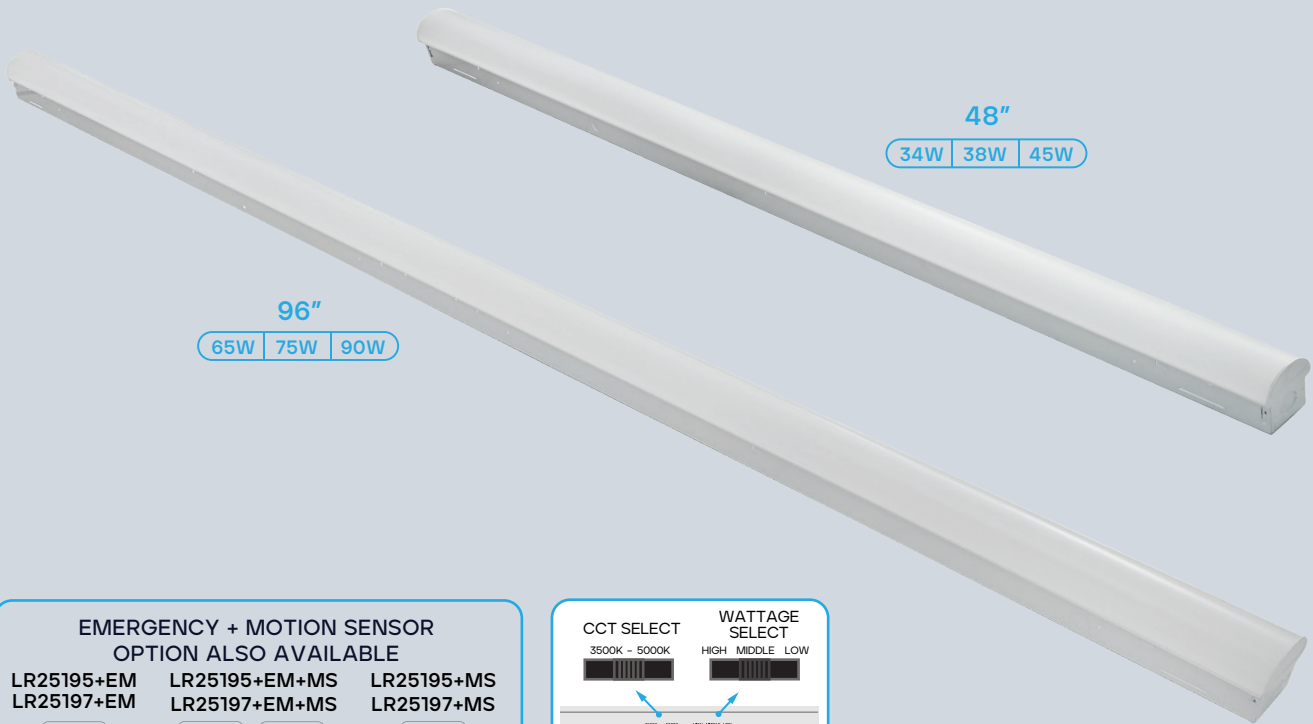




LED LINEAR STRIP WIDE - HIGH OUTPUT 48", 96" - CCT & WATTAGE SELECTABLE

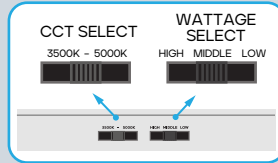


48"
34W | 38W | 45W

96"
65W | 75W | 90W

EMERGENCY + MOTION SENSOR OPTION ALSO AVAILABLE

LR25195+EM LR25195+EM+MS LR25195+MS
LR25197+EM LR25197+EM+MS LR25197+MS



CCT & WATTAGE SELECT
SWITCH ON THE SIDE

**CRI
82**

COLOR SELECTABLE

3500K | 4000K | 5000K

DIMMABLE

0-10V



*OPTION
AVAILABLE



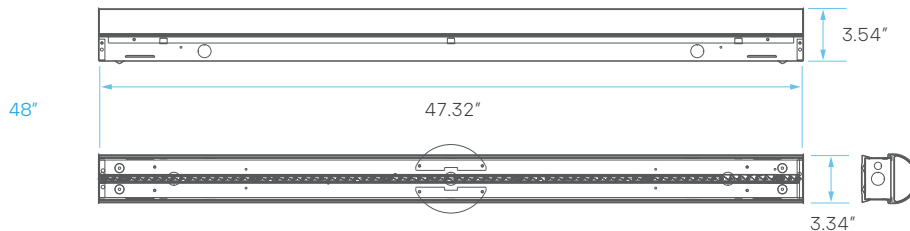
*OPTION
AVAILABLE

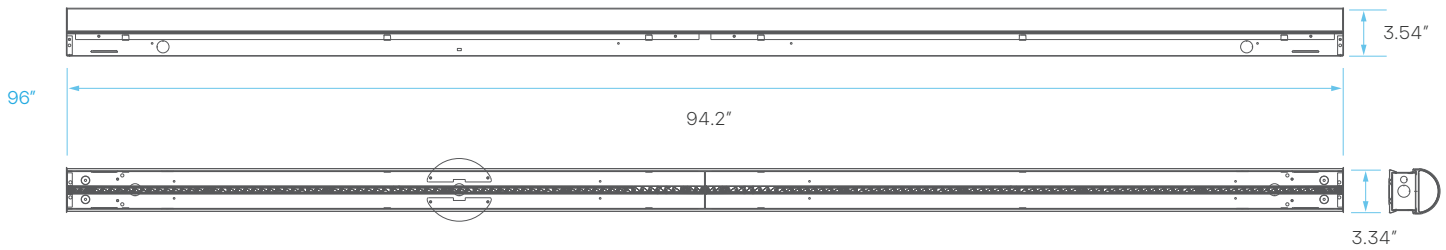


DAMP
LOCATION
RATED



5
YEAR
WARRANTY





ELECTRICAL

	MODEL	DESCRIPTION	POWER	INPUT VOLTS	EFFICACY	LIFETIME	COST/YR	EMERGENCY TIME	MOTION SENSOR
48"	LR25195	LED48/WLINEAR/3CCT/3WO/UNV/D/HO	34	120-277V	3500K - 141	50,000	\$ 5.42		
					4000K - 142				
					5000K - 143				
			38		3500K - 138				
					4000K - 139				
					5000K - 140				
			45		3500K - 135				
					4000K - 136				
					5000K - 137				
48"	LR25195+EM	LED48/WLINEAR/3CCT/3WO/UNV/D/HO+EM	34	120-277V	3500K - 141	50,000	\$ 5.42	90 MINS	
					4000K - 142				
					5000K - 143				
			38		3500K - 138				
					4000K - 139				
					5000K - 140				
			45		3500K - 135				
					4000K - 136				
					5000K - 137				
48"	LR25195+EM+MS	LED48/WLINEAR/3CCT/3WO/UNV/D/HO+EM+MS	38	120-277V	3500K - 141	50,000	\$ 5.42	90 MINS	BI-LEVEL
					4000K - 142				
					5000K - 143				
			38		3500K - 138				
					4000K - 139				
					5000K - 140				
			45		3500K - 135				
					4000K - 136				
					5000K - 137				

ELECTRICAL

MODEL	DESCRIPTION	POWER	INPUT VOLTS	EFFICACY	LIFETIME	COST/YR	EMERGENCY TIME	MOTION SENSOR
48"	LR25195+MS	34	120-277V	3500K - 141	50,000	\$ 5.42		BI-LEVEL
				4000K - 142				
				5000K - 143				
		38		3500K - 138				
				4000K - 139				
				5000K - 140				
		45		3500K - 135				
				4000K - 136				
				5000K - 137				
96"	LR25197	65	120-277V	3500K - 141	50,000	\$ 10.84		
				4000K - 142				
				5000K - 143				
		75		3500K - 138				
				4000K - 139				
				5000K - 140				
		90		3500K - 135				
				4000K - 136				
				5000K - 137				
96"	LR25197+EM	65	120-277V	3500K - 141	50,000	\$ 10.84	90 MINS	
				4000K - 142				
				5000K - 143				
		75		3500K - 138				
				4000K - 139				
				5000K - 140				
		90		3500K - 135				
				4000K - 136				
				5000K - 137				
96"	LR25197+EM+MS	65	120-277V	3500K - 141	50,000	\$ 10.84	90 MINS	BI-LEVEL
				4000K - 142				
				5000K - 143				
		75		3500K - 138				
				4000K - 139				
				5000K - 140				

ELECTRICAL

MODEL	DESCRIPTION	POWER	INPUT VOLTS	EFFICACY	LIFETIME	COST/YR	EMERGENCY TIME	MOTION SENSOR
96"	LR25197+MS	90	120-277V	3500K - 135	50,000	\$ 10.84		BI-LEVEL
				4000K - 136				
				5000K - 137				
		65		3500K - 141				
				4000K - 142				
				5000K - 143				
		75		3500K - 138				
				4000K - 139				
				5000K - 140				
		90		3500K - 135				
				4000K - 136				
				5000K - 137				

PHOTOMETRIC

MODEL	DESCRIPTION	COLOR (CCT)	TEMP	LUMEN	CRI	UL LISTED	DLC
LR25195	LED48/WLINEAR/3CCT/3WO/UNV/D/HO	3500K	CCT SELECT	3500K - 4794	82	YES	S-2J0FK3
				4000K - 4828			
				5000K - 4862			
		4000K		3500K - 5244			
				4000K - 5282			
				5000K - 5320			
		5000K		3500K - 6075			
				4000K - 6120			
				5000K - 6165			
LR25195+EM	LED48/WLINEAR/3CCT/3WO/UNV/D/HO+EM	3500K	CCT SELECT	3500K - 4794	82	YES	S-2J0FK3
				4000K - 4828			
				5000K - 4862			
		4000K		3500K - 5244			
				4000K - 5282			
				5000K - 5320			
		5000K		3500K - 6075			
				4000K - 6120			
				5000K - 6165			

PHOTOMETRIC

MODEL	DESCRIPTION	COLOR (CCT)	TEMP	LUMEN	CRI	UL LISTED	DLC
LR25195+EM+MS	LED48/WLINEAR/3CCT/3WO/UNV/D/HO+EM+MS	3500K	CCT SELECT	3500K - 4794	82	YES	S-2J0FK3
				4000K - 4828			
				5000K - 4862			
		4000K		3500K - 5244			
				4000K - 5282			
				5000K - 5320			
		5000K		3500K - 6075			
				4000K - 6120			
				5000K - 6165			
LR25195+MS	LED48/WLINEAR/3CCT/3WO/UNV/D/HO+MS	3500K	CCT SELECT	3500K - 4794	82	YES	S-2J0FK3
				4000K - 4828			
				5000K - 4862			
		4000K		3500K - 5244			
				4000K - 5282			
				5000K - 5320			
		5000K		3500K - 6075			
				4000K - 6120			
				5000K - 6165			
LR25197	LED96/WLINEAR/3CCT/3WO/UNV/D/HO	3500K	CCT SELECT	3500K - 9165	82	YES	S-9P6N87
				4000K - 9230			
				5000K - 9295			
		4000K		3500K - 10350			
				4000K - 10425			
				5000K - 10500			
		5000K		3500K - 12150			
				4000K - 12240			
				5000K - 12330			
LR25197+EM	LED96/WLINEAR/3CCT/3WO/UNV/D/HO+EM	3500K	CCT SELECT	3500K - 9165	82	YES	S-9P6N87
				4000K - 9230			
				5000K - 9295			
		4000K		3500K - 10350			
				4000K - 10425			
				5000K - 10500			

PHOTOMETRIC

MODEL	DESCRIPTION	COLOR (CCT)	TEMP	LUMEN	CRI	UL LISTED	DLC
		5000K		3500K - 12150			
				4000K - 12240			
				5000K - 12330			
LR25197+EM+MS	LED96/WLINEAR/3CCT/3WO/UNV/D/HO+EM+MS	4000K	CCT SELECT	3500K - 9165	82	YES	S-9P6N87
				4000K - 9230			
				5000K - 9295			
		3500K - 10350					
		4000K - 10425					
		5000K - 10500					
		3500K - 12150					
		4000K - 12240					
		5000K - 12330					
LR25197+MS	LED96/WLINEAR/3CCT/3WO/UNV/D/HO+MS	4000K	CCT SELECT	3500K - 9165	82	YES	S-9P6N87
				4000K - 9230			
				5000K - 9295			
		3500K - 10350					
		4000K - 10425					
		5000K - 10500					
		3500K - 12150					
		4000K - 12240					
		5000K - 12330					

COMPATIBLE WITH:

LR35120
LR35121
Emergency LED Driver



LR25177
SLIM LINEAR
PENDANT



LR25179
SLIM LINEAR
SUSPENSION KIT

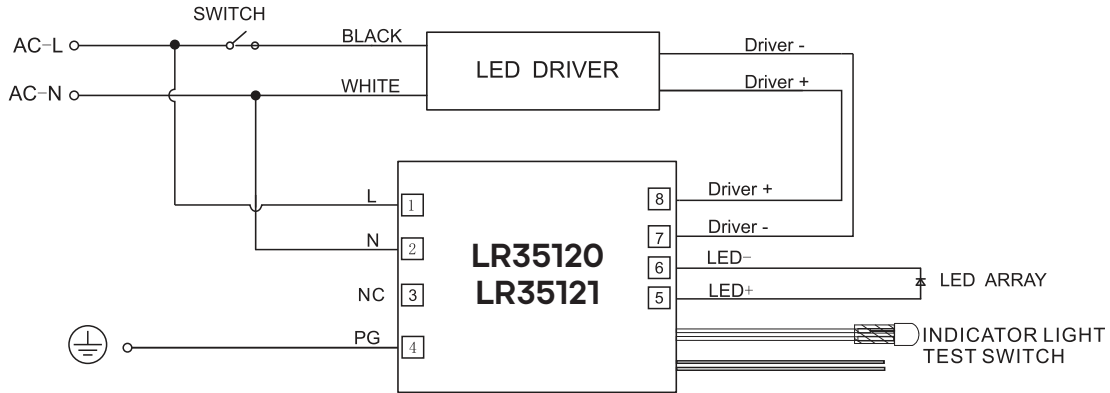


LR35120, LR35121 - SPECIFICATIONS

MODEL	DESCRIPTION	EM POWER	INPUT VOLTS	FREQUENCY	INPUT CURRENT	INPUT POWER	OUTPUT VOLTAGE	RECHARGE TIME	EMERGENCY TIME
LR35120	LED/EMR/8W/DC	8	100-277V	50/60Hz	100mA	7W max	25-48VDC	24Hr	90min
LR35121	LED/EMR/15W/DC	15	100-277V	50/60Hz	100mA	7W max	25-48VDC	24Hr	90min

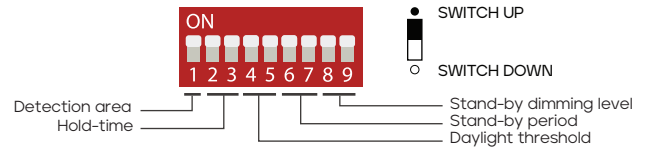
AMBIENT TEMPERATURE: 32°F ~ 104°F

WIRING DIAGRAM



LR25190 - BI-LEVEL MOTION SENSOR SETTINGS

Operating voltage	120-277VAC,50Hz/60Hz
Switching capacity	Max,3.0A@120Vac,50/60Hz; Max,2.0A@277Vac,50/60Hz
Stand-by power	≤1W
Control method	On/off / 1-10V Dimming Remote Control
Microwave frequency	5.8GHz±75MHz
Microwave power	<0.3mW
Detection area	50%/100%
Hold time	5s/30s/1min/10min
Daylight threshold	2Lux/10Lux/50Lux/Disable
Stand-by period	0s/30s/20min/+∞
Stand-by dimming level	10%/20%/30%/50%
Mounting height	8-15m /26.25-49.2ft
Detection range	Max.ø14m/45.93ft
Motion detection	0.5~1.5m/s
Operating temperature	-30°C~+70°C
IP rating	IP20
Warranty	5 years



● ●	100%
○ ●	50%

DETECTION AREA

In this area, movement will be detected and able to trigger the sensor. 100% detection area is also known as the strong sensitivity.

● ●	5s
○ ●	30s
● ○	1min
○ ○	10min

HOLD-TIME

The period of light keeping 100% brightness after moving objects leave the detection area.

● ●	Disable
○ ●	50lux
● ○	10lux
○ ○	2lux

DAYLIGHT TRESHOLD

Definition of the ambient brightness; only when the ambient brightness is lower than the preset specific lux amount, the sensor will work; when it's preset as "disable", the sensor works everytime it detects motion regardless the ambient brightness.

● ●	0s
○ ●	30s
● ○	20min
○ ○	+ ∞

STAND-BY PERIOD

The period of light keeping low output before it's completely switched off. When it's preset as "+∞", the light always keep at low output if no movement in the detection area and doesn't turn off.

● ●	10%
○ ●	20%
● ○	30%
○ ○	50%

STAND-BY DIMMING LEVEL

The definition of low output in the standby period.