



**SENSORWORX®**

# LINE VOLTAGE INTERVAL TIMER SWITCH

INSTALLATION & OPERATION INSTRUCTIONS

CATALOG NUMBERS	DESCRIPTIONS
SWX-843-60M-xx	Line Voltage Interval Timer Switch - 60 min. maximum
SWX-843-12H-xx	Line Voltage Interval Timer Switch - 12 hr. maximum

\* XX = COLOR (WH, IV, LA, GY, BK, RD)

**ADDITIONAL UNIT OPTIONS**

- **HE:** High Humidity Environment

## OVERVIEW

The **SENSORWORX** interval timer switch provides an automatic lighting control solution that is intuitive to operate. Designed with contractors in mind, the unit is significantly shallower than typical timers, resulting in less crowded wall boxes. Additionally, versatile wiring enables usage with or without a neutral connection. For interval adjustment, raise and lower buttons are present in addition to the on/off button. Five vertically stacked LEDs are provided to indicate the timer setting / time remaining. Configurable parameters include Maximum Time Setting, Blink Timeout Warning, Turn on Timer Levels, and LED Indication. This stylish unit also matches the **SENSORWORX** family of wall switch occupancy sensors and 0-10V dimming wall switch sensors.

## SPECIFICATIONS

### ELECTRICAL

**OPERATING VOLTAGE**

120-277 VAC SINGLE PHASE,  
50/60 Hz

**LOAD RATINGS**

MAX: 800W @ 120VAC  
1200W @ 277VAC

MIN: None

**LOAD TYPES**

LED Driver/Lamps  
CFL, Electronic/Magnetic Ballasts  
(Fluorescent)  
Tungsten (Incandescent)

### ENVIRONMENTAL

**OPERATING TEMP**

32°F to 122°F (0°C to 50°C) - Standard  
-40° F/C (with **-HE** Option)

**RELATIVE HUMIDITY**

0-95% Non-Condensing, Indoor Use  
Only

### PHYSICAL

**SIZE**

2.74"H x 1.68"W x 1.39"D  
(6.96 x 4.27 x 3.53 cm)  
Not Including Mounting Strap  
< 1" J-Box Mounting Depth

**WEIGHT**

4.5 oz

**MOUNTING**

Single Gang Switch Box



## FEATURES

### ELECTRICAL FEATURES

- Accommodates Neutral (3-Wire) and No-Neutral (2-Wire) Installation
- Electronically Timed Switching Ensures Long Relay Life
- Meets NEC 404.2(c) & 404.22 Guidelines Regarding Powering Over Ground & Current Leakage

### PHYSICAL FEATURES

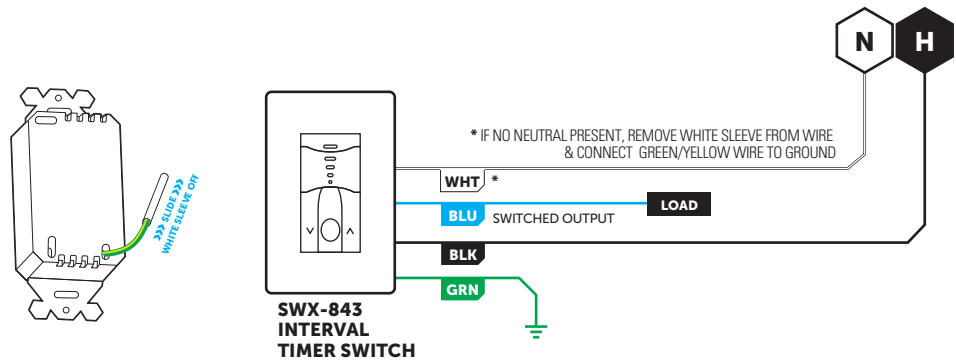
- Enclosure is 25-40% Shallower than Other Sensors (< 1" depth into wallbox)
- Self-Grounding Mounting Strap
- Modern Look and Intuitive Easy-Tap Button for On/Off, Increase Time, & Decrease Time
- Settings are Adjustable Without Removing Cover Plate

### OPERATIONAL FEATURES

- 5 LED Time Level Indicators
- Configurable Parameters including Maximum Time, Turn on Timer Setting, & Blink Warnings
- Blue Locator LED when Lights are Off

# WIRING

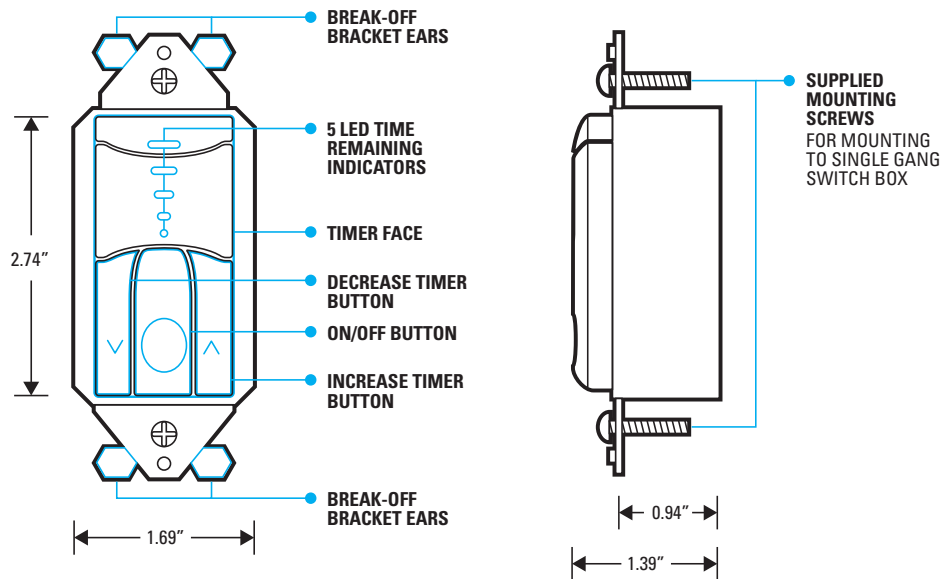
- Unit works both in installations where neutral connection is available as well as installations where only ground connection is present.
- If no neutral is present, remove the white sleeve from the wire & connect the now Green/Yellow wire to ground.



**NOTE: This product is UL listed and meets NEC 404.2(c) & 404.22 guidelines regarding powering over ground & current leakage. Powering over ground is permitted for replacement / retrofit only.**

# INSTALLATION

- Designed to mount in standard 1-gang wall box.
- Units also can share multiple gang wall boxes with other devices.



\*\* TIMER FACE IS FIELD REMOVABLE IN ORDER TO CHANGE COLORS. CONTACT FACTORY FOR ADDITIONAL FACES

# OPERATION DETAILS

## TURN ON TIMER LEVEL

- If the lights are off and the CENTER (on/off) button is pressed, by default the timer will return to the last user selected level.
- The timer level can also be programmed to always come on to any of the preset levels.
- If lights are off and the RIGHT (increase timer) button is pressed, the lights will turn on and the timer will be set to the maximum time level.
- If lights are off and the LEFT (decrease timer) button is pressed, the lights will turn on and the timer will be set to the minimum time level.

## MAX TIME SETTING

- The maximum timer duration that can be selected by a user is configurable to any of the time levels.
- The default maximum level is 60 minutes for model # SWX-843-60M-xx.
- The default maximum level is 12 hours for model # SWX-843-12H-xx.

## BLINK WARNING

- By default the lights will switch off and immediately back on when the time remaining is 1 minute.
- Alternatively, the unit can be configured to provide a blink warning(s) at the following times: @ 1 min, @ 2 min, @ 5 min, @ 1 min & @ 2 min, @ 1 min & @ 5 min remaining.

## LED FUNCTIONALITY

- The top white LED flashes during the last 5 seconds before the LED time indication is decremented.
- White LEDs that show current time remaining are on all the time by default (option to disable or only stay on for 5 seconds after any button is pressed).
- As a location aide when the lights are off, the top LED will be blue (option to disable).

# CONFIGURATION SETTINGS

## STEPS FOR CHANGING CONFIGURATION SETTINGS

- 1 From the lists of Configuration Functions below, note the number (#) of the Function to be changed. For example, TURN ON TIMER LEVEL setting is #2.
- 2 Enter programming mode by pressing and holding the CENTER button until the top LED begins rapid flashing blue, then release.
- 3 Press and release the CENTER button the number of times for the chosen function. For example, press the CENTER button 2 times for the TURN ON TIMER LEVEL setting.
- 4 The top LED will flash back white the setting number of the current value as it appears in each function's detailed table of values below. For example, the default TURN ON TIMER LEVEL setting is #2 "LAST SELECTED USER TIMER LEVEL". Following a short pause, this blink back sequence will repeat.
- 5 Interrupt blink back by pressing the CENTER button the number of times corresponding to the new setting (e.g., 3 times for 60 min level).
- 6 The top LED will blink back white the number as confirmation. Following a short pause, this blink back sequence will repeat.
- 7 To Save and Exit programming mode, press and hold the CENTER button again until the top LED changes from blue to white, then release. The top LED will then rapid blink white twice as confirmation of success.

### NOTE 1:

To Exit without saving during any step, wait until top LED double flashes blue.

### NOTE 2:

If the top LED double flashes twice blue at any point, start the above procedure over.

## FUNCTION #2

### TURN ON TIMER LEVEL SETTING

SETTING #	VALUES FOR MODEL#:	
	SWX-843-60M	SWX-843-12H
2	Last selected user timer level (Default)	
3	60 min	12 hr
4	45 min	8 hr
5	30 min	4 hr
6	15 min	2 hr
7	5 min	1 hr

## FUNCTION #3

### MAX TIME SETTING

SETTING #	VALUES FOR MODEL#:	
	SWX-843-60M	SWX-843-12H
2	60 min	12 hr
3	45 min	8 hr
4	30 min	4 hr
5	15 min	2 hr
6	5 min	1 hr

## FUNCTION #4

### BLINK WARNING

SETTING #	VALUES
2	Disabled
3	On/Off Blink @ 1 minute remaining (Default)
4	On/Off Blink @ 2 minutes remaining
5	On/Off Blink @ 5 minutes remaining
6	On/Off Blinks @ 1 & 2 minutes remaining
7	On/Off Blinks @ 1 & 5 minutes remaining

## FUNCTION #7

### LED FUNCTIONALITY

SETTING #	5 WHITE LEDS	BLUE LED (TOP)
2	When relay is closed, LEDs stay on showing level of time remaining (Default)	Lit when relay is open
3	When relay is closed, LEDs stay on showing level of time remaining	Off when relay is open
4	When relay is closed, LEDs are on for 5 seconds after any button is pressed showing level of time remaining	Lit when relay is open
5	When relay is closed, LEDs are on for 5 seconds after any button is pressed showing level of time remaining	Off when relay is open

## FUNCTION #8

### RESET FACTORY DEFAULTS

SETTING #	VALUES
2	No change
3	Reset factory defaults

