

JBZN-SERIES | SOLIDRIVE

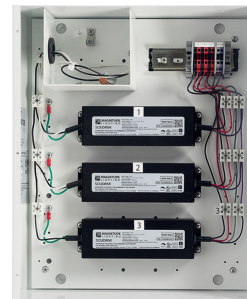
Constant Voltage Electronic LED Driver

0-10V | Zone Multi-Channel Dimming

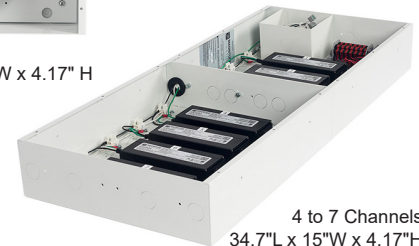
Specification Sheet

The Junction Box Zone (JBZN) Series delivers a multi-channel, specification grade solution for select Magnitude Class 2, electronic LED drivers making it the perfect product for multi-output commercial lighting applications. Available in surface or plenum rated recessed mount, the high-quality metal junction box includes multiple 1¹/₈" knockouts and comes pre-wired for quick and easy installation. The JBZN-SERIES is constructed with a high voltage compartment and utilizes DIN rail terminal blocks to support independent channel outputs.

The JBZN-SERIES | SOLIDRIVE uses Magnitude's SOLIDRIVE electronic Class 2, 0-10V dimmable LED driver. It's available in 2 to 7 channel configurations with individual zone dimming. The driver features hiccup mode, over current and short circuit protection as well as an efficiency over 84% resulting in low operating case temperature. The SOLIDRIVE SERIES is dimmable down to 1% with a 0-10V dimmer.



2 to 3 Channels
 17.83" L x 15.00" W x 4.17" H

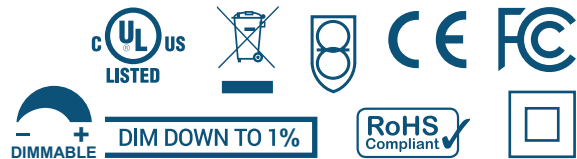


4 to 7 Channels
 34.7"L x 15"W x 4.17"H

- Installation:** Integrated junction box with multiple 1¹/₈" knockouts
- Driver Type:** Class 2 multi-channel
- Dimming:** 0-10V dimmable down to 1%
- Channel Dimming:** Individual zone dimming across all channels
- Input Voltage:** Universal 120VAC to 277VAC, 50/60Hz
- Output Voltage:** 12VDC, 24 VDC, 36VDC, or 48VDC
- Environmental:** Dry
- Listing:** UL Listed
- Certifications:** UL8750, UL2108 CSA C22.2 No. 250.0-08
- Warranty:** 5 year

TYPE HL 12 / 24 / 36 / 48VDC

CLASS 2 SELV 120 - 277VAC



SOLIDRIVE is also available in:

- SOLIDRIVE UL with Junction Boxes
- SOLIDRIVE UL without Junction Boxes
- EZJ SOLIDRIVE

Please refer to www.magnitudeinc.com for more details.

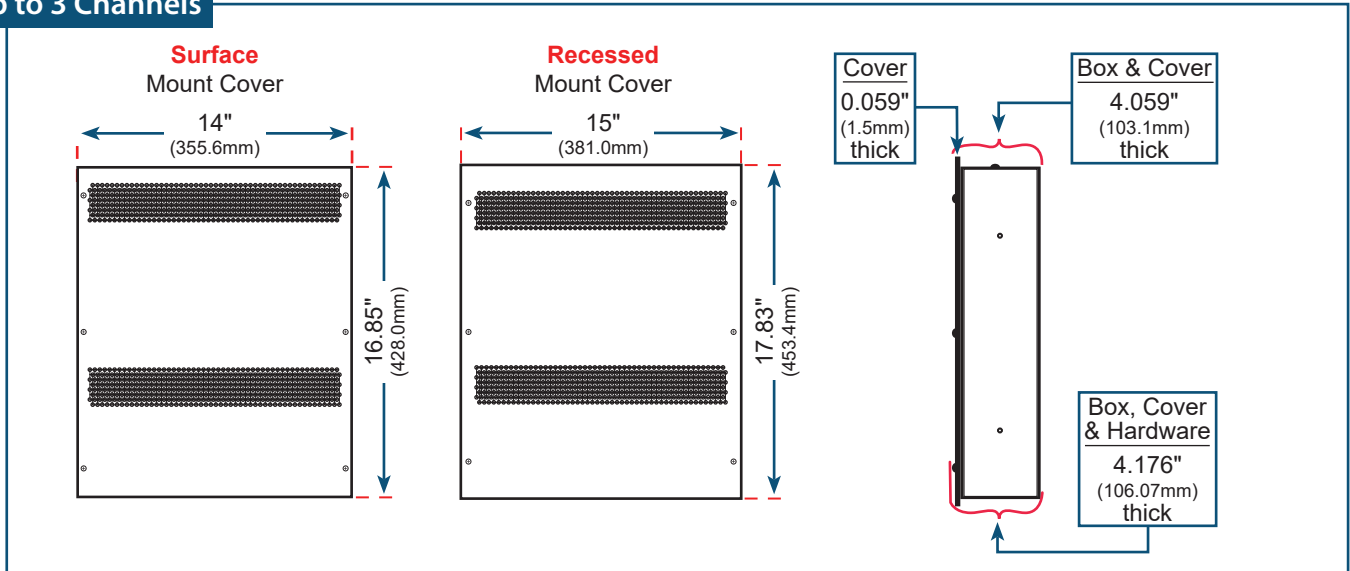
ORDERING GUIDE

TYPE	No. of Channels	Driver Series	Dimming Type	Max Power Per Channel	Driver Type	Output	Mounting	Finish
JBZN — JB Zone	2 — 2 channel	CVD — SOLIDRIVE	0-10 Dimming	50 — 50W	R — Recognized	12 — 12VDC	R — Recessed	W — White
	3 — 3 channel			96 — 96W		24 — 24VDC		
	4 — 4 channel					36 — 36VDC		
	5 — 5 channel					48 — 48VDC		
	6 — 6 channel							
	7 — 7 channel							

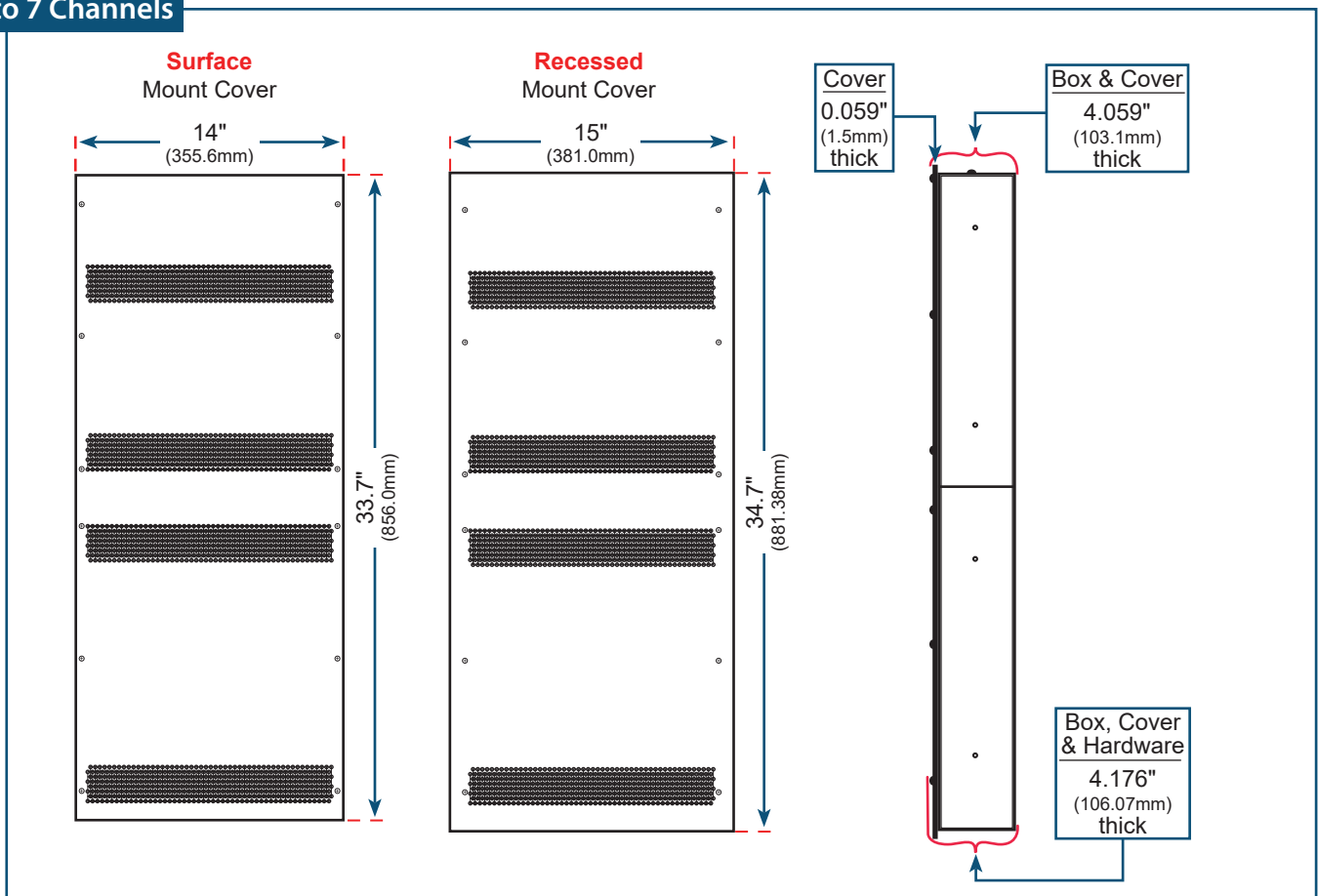
SPECIFICATIONS				
MAX LOAD	50W	96W	96W	96W
INPUT				
Input Voltage Range	120 to 277VAC ± 10%	120 to 277VAC ± 10%	120 to 277VAC ± 10%	120 to 277VAC ± 10%
Input Frequency	50 / 60Hz	50 / 60Hz	50 / 60Hz	50 / 60Hz
Input Current	0.96A Max per Channel	0.96A Max per Channel	0.96A Max per Channel	0.96A Max per Channel
Efficiency	>80%	>84%	>84%	>84%
Power Factor	0.95	0.91	0.95	0.95
OUTPUT (Per Channel)				
Max Load	50W	96W	96W	96W
Output Voltage @ Max Load	12.0 VDC	24.0 VDC	36.0 VDC	48.0 VDC
Output Current @ Max Load	4.2A	4.1A	2.7A	2.0A
Output Wire Gauge Range	12 to 26 gauge	12 to 26 gauge	12 to 26 gauge	12 to 26 gauge
ENVIRONMENTAL				
Operating Temperature	-30°C to +50°C (-22°F to 122°F)	-30°C to +50°C (-22°F to 122°F)	-30°C to +50°C (-22°F to 122°F)	-30°C to +50°C (-22°F to 122°F)
DIMMING				
Minimum Dimming Level	1%	1%	1%	1%
PROTECTION				
Circuit Breaker	Hiccup Mode Over Current Short Circuit	Hiccup Mode Over Current Short Circuit	Hiccup Mode Over Current Short Circuit	Hiccup Mode Over Current Short Circuit
APPROVAL MARKINGS				
Certificates / Approval Signs	UL8750 / UL2108	UL8750 / UL2108	UL8750 / UL2108	UL8750 / UL2108

MECHANICAL DIAGRAMS

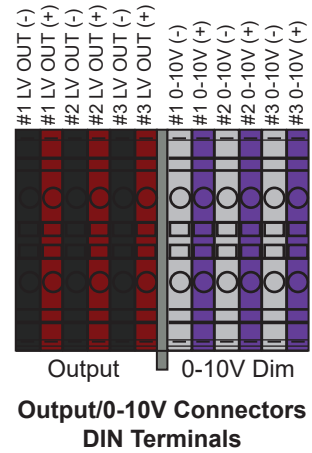
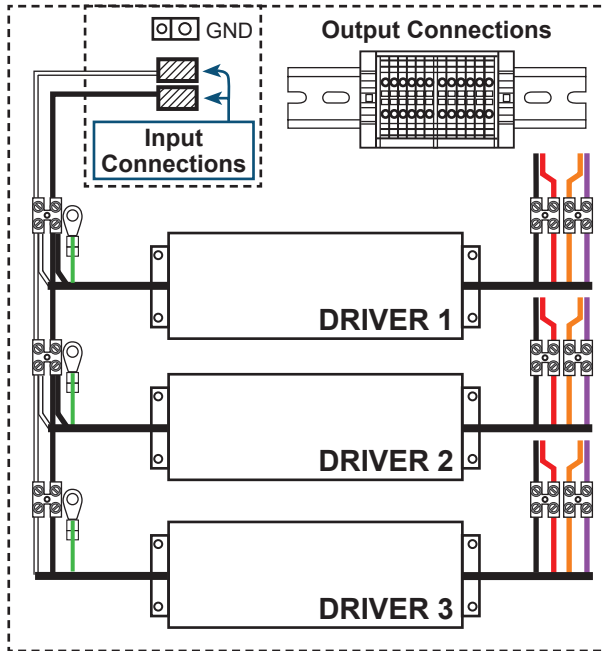
Up to 3 Channels



4 to 7 Channels

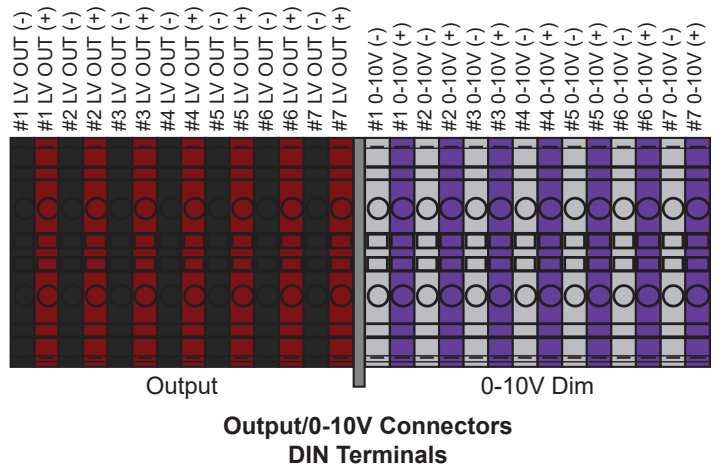
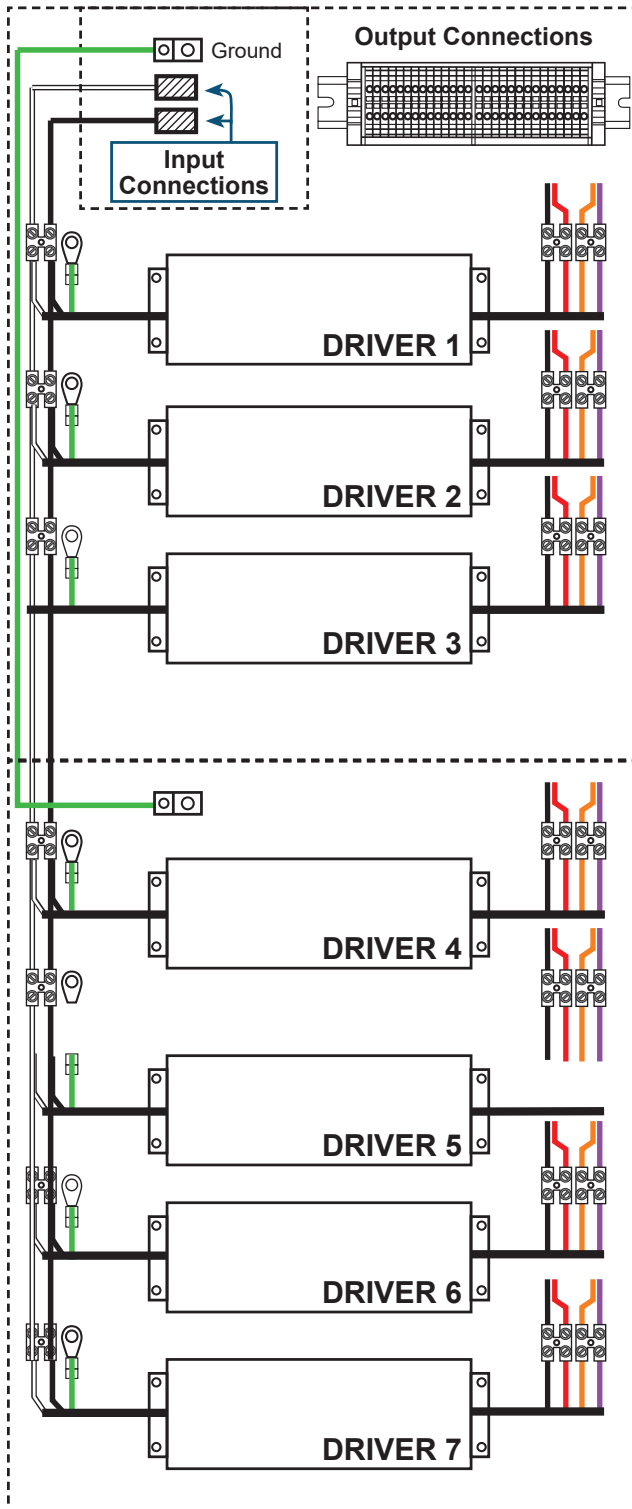


WIRING DIAGRAM | UP TO 3 CHANNELS



- NOTES**
- Wiring diagram is typical for 2 channel version
 - Output terminal block accept 12 to 26 gauge wire

WIRING DIAGRAM | 4 TO 7 CHANNELS



NOTES

- Wiring diagram is typical for 4 to 6 channel version
- Input and output terminal blocks accept 12 to 26 gauge wire