

LUXRITE®

LED CANLESS - SPOTLIGHT JACKSONVILLE COLLECTION

5-6"



*TRIMS SOLD SEPARATELY

CRI
90

COLOR SELECTABLE

2700K 3000K 3500K 4000K 5000K

DUAL
DIMMING
TRIAC
0-10V

IC
RATED

AIR
TIGHT

HIGH
OUTPUT

WET
LOCATION
RATED
IP-54

120-
277V

5
YEAR
WARRANTY

ETL
C
UL
US
Intertek

ENERGY STAR

LR24990
LED/DLMD5-6HO/5CCT/UNV/DD



LR24991
LED/DLMD5-6HO/5CCT/D/WFL



*TRIMS SOLD SEPARATELY



MODULE

APERTURE	5-6"
DISTRIBUTION	FIXED/WALL WASH
APPLICATION	NEW CONSTRUCTION & REMODEL

ELECTRICAL

POWER	22W
INPUT VOLTS	120-277V
INPUT CURRENT	
FREQUENCY	60Hz
DIMMING TYPE	TRIAC (@120V)/0-10V(@120-277V)
DIMMING RANGE	10-100%
FEED WIRE GAUGE	18AWG
BREAKER SPECIFICATION *(15A @120V)	65pcs*

*Mathematically estimated value. Actual capacity may vary by breaker type and installation environment.

PHOTOMETRIC

COLOR CCT	2700K/3000K/3500K/4000K/5000K
CRI	80
LUMEN	1800lm
EFFICACY	77lm/w
BEAM ANGLE	LR24990: 38°
	LR24991: 60°

CERTIFICATIONS & SAFETY

LR24990	ETL, ENERGY STAR
LR24991	ETL, ENERGY STAR
IP RATING	IP-54
WET LOCATION	YES
IC RATED	YES
AIR TIGHT	YES
OPERATING TEMP.	-4°F to 104°F
COST/YR	\$ 2.64
WARRANTY	5 YR

MATERIAL & APPLICATION

HEAT SINK	DIE-CAST ALUMINUM
TRIM	ALUMINUM
LENS	PC ACRYLIC
CUTOUT	Ø5.19" w/5" TRIMS
	Ø6.22" w/6" TRIMS
MOUNTING TYPE	RECESSED
AREA OF APPLICATION	RESIDENTIAL, COMMERCIAL
CEILING TYPE	DRYWALL, WOOD

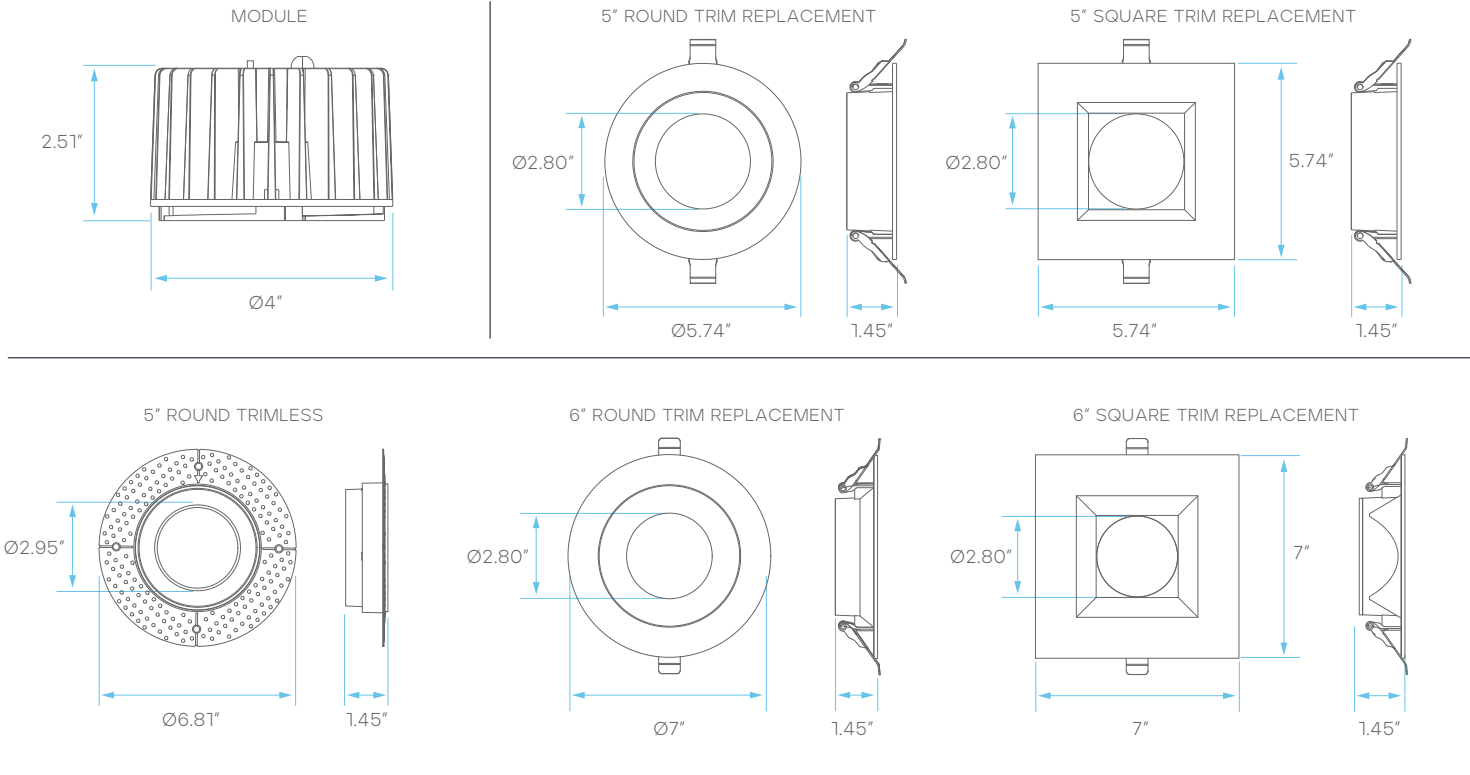
DRIVER

MODEL	DESCRIPTION	POWER	INPUT VOLTS	INPUT CURRENT	FREQUENCY	INPUT POWER	OUTPUT VOLTAGE	DIMENSIONS	KNOCKOUTS
	INCLUDED DRIVER	22W	120-277V	mA	60Hz	22W max	36V DC	5.35"L X 2.28"W X 2.20"H	2

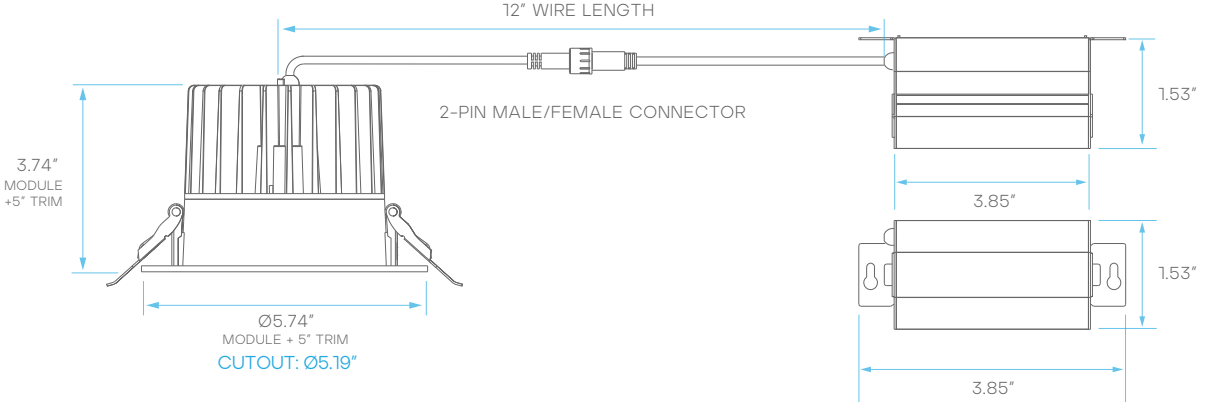
MODEL	DESCRIPTION	EM POWER	INPUT VOLTS	INPUT CURRENT	FREQUENCY	INPUT POWER	OUTPUT VOLTAGE	RECHARGE TIME	EMERGENCY TIME
LR35124**	LED/EMR/30W/AC/FC/E	30W	100-277V	100mA	50/60Hz	7W max	50-150V DC	24HR	90MINS

*AMBIENT TEMPERATURE: 32°F ~ 122°F
*SOLD SEPARATELY

DIMENSIONS



MODULE + 5" TRIM & DRIVER



MODULE + 6" TRIM & DRIVER

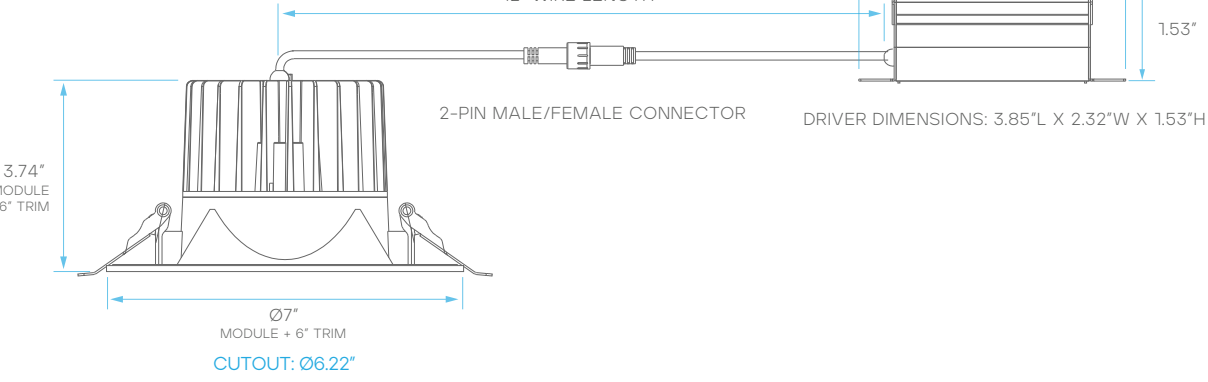
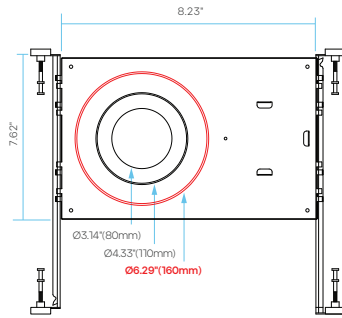


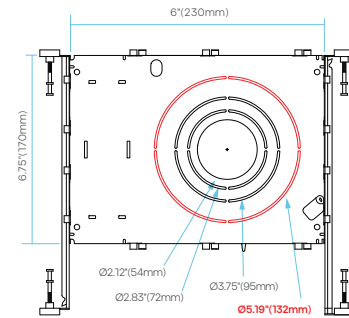
PLATE COMPATIBILITY*

*SOLD SEPARATELY

LR41002
W/6" TRIM
KNOCKOUT
2

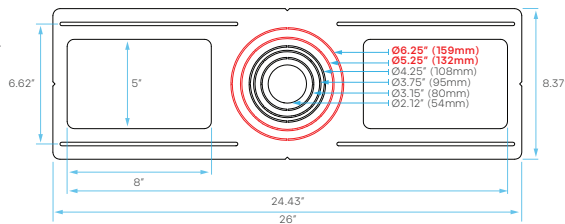


LR41004
W/5" TRIM
KNOCKOUT
3



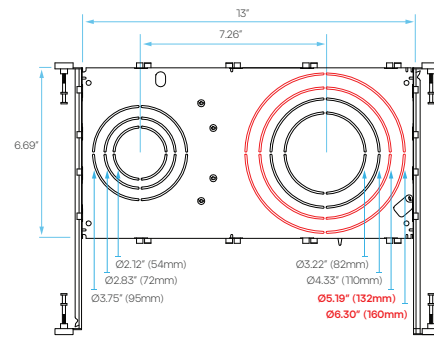
LR41006
W/5" TRIM
KNOCKOUT
4

W/6" TRIM
KNOCKOUT
5



LR41010
W/5" TRIM
KNOCKOUT
R2

W/6" TRIM
KNOCKOUT
R3



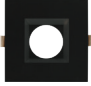


INTERCHANGEABLE TRIM OPTIONS*

*SOLD SEPARATELY

	MODEL	DESCRIPTION	SIZE	FINISH	SHAPE	APPLICATION
	LR24992	LED/DLMD5-6/TRIM5/RD/W	5"	WHITE	ROUND	FIXED
	LR24994	LED/DLMD5-6/TRIM5/SQ/W	5"	WHITE	SQUARE	FIXED
	LR24996	LED/DLMD5-6/TRIM5/TL/RD/W	5"	WHITE	ROUND	FIXED/TRIMLESS
	LR24993	LED/DLMD5-6/TRIM6/RD/W	6"	WHITE	ROUND	FIXED
	LR24995	LED/DLMD5-6/TRIM6/SQ/W	6"	WHITE	SQUARE	FIXED
	LR24998	LED/DLMD5-6/TRIM6/RD/BK	6"	BLACK	ROUND	FIXED


INTERCHANGEABLE TRIM OPTIONS*

*SOLD SEPARATELY

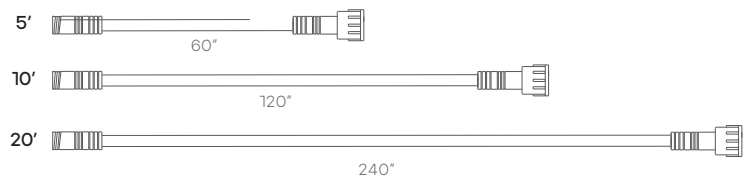
	MODEL	DESCRIPTION	SIZE	FINISH	SHAPE	APPLICATION
	LR24999	LED/DLMD5-6/TRIM6/SQ/BK	6"	BLACK	SQUARE	FIXED
	LR24988	LED/DLMD5-6/TRIM6/WW/RD/W	6"	WHITE	ROUND	WALL WASHER
	LR24989	LED/DLMD5-6/TRIM6/WW/SQ/W	6"	WHITE	SQUARE	WALLWASHER

WIRE EXTENDER OPTIONS

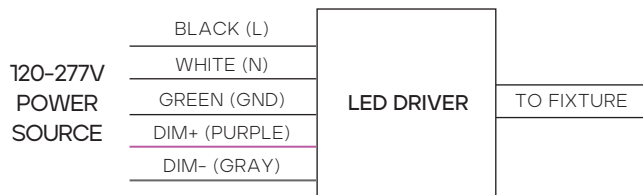
*SOLD SEPARATELY



MODEL	TYPE	WIRE GAUGE
LR41050	5' - 2 PIN	22 AWG
LR41052	10' - 2 PIN	22 AWG
LR41054	20' - 2 PIN	22 AWG



WIRING DIAGRAM



SUGGESTED COMPATIBLE DIMMER*

LUTRON	CTCL-153P
	DVCL-153PDH
	DVCL-153P
LEVITON	6672
	6674
PASS & SEYMOUR	HCL453PTCCCV6

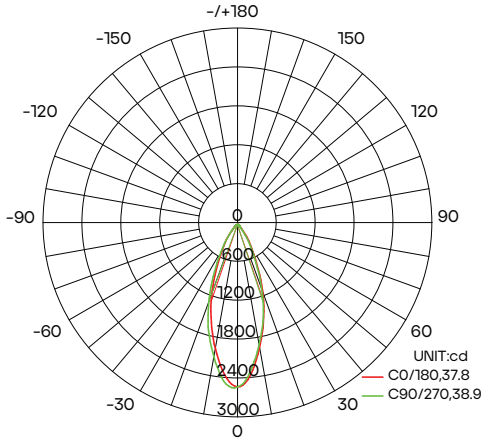
*Dimmer performance may vary based on load, wiring, and installation conditions. Inclusion on this chart does not guarantee compatibility for every installation, and omission does not indicate incompatibility. Refer to the dimmer manufacturer's installation instructions and verify minimum load requirements to avoid field issues.

PACKAGING

MODEL	STYLE	INNER BOX DIMENSIONS	MASTER CARTON DIMENSIONS	CASE
LR24990	INNER BOX + MASTER CARTON	7.08" X 5.51" X 3.34"	17.12" X 14.76" X 11.02"	18
LR24991	INNER BOX + MASTER CARTON	7.08" X 5.51" X 3.34"	17.12" X 14.76" X 11.02"	18

Luxrite® Luxiflow® tool is for informational purposes only, it is not intended to provide lighting or electrical advise.

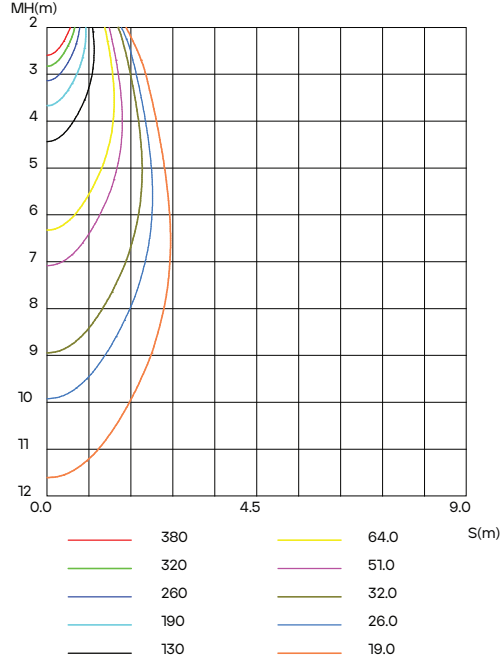
LUMINOUS INTENSITY DISTRIBUTION DIAGRAM



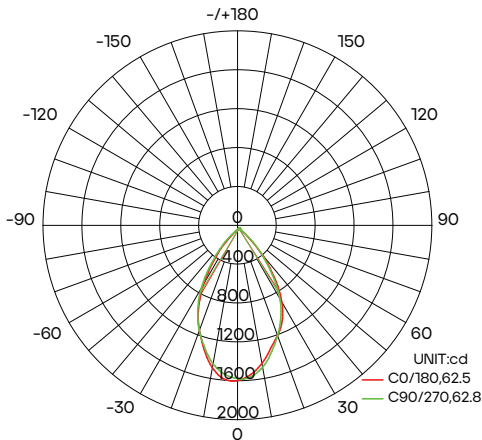
AVERAGE BEAM ANGLE(50%):38.4 DEG

*DIAGRAM SHOWING LR24990 AT 2700K - 22W

C0 PLANE ISOLUX DIAGRAM (UNIT:lx)



LUMINOUS INTENSITY DISTRIBUTION DIAGRAM



AVERAGE BEAM ANGLE(50%): 62.7 DEG

*DIAGRAM SHOWING LR24991 AT 2700K - 22W

C0 PLANE ISOLUX DIAGRAM (UNIT:lx)

