

LED 3 OPTIC/3CCT/3 WATT FULL CUTOFF LED WALLPACK

APPLICATIONS:

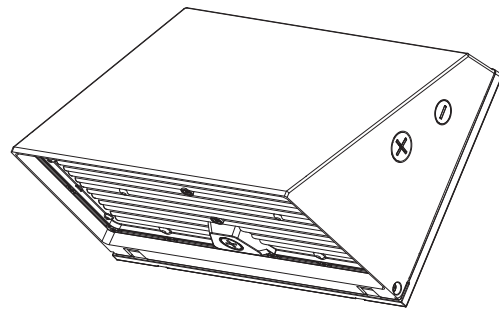
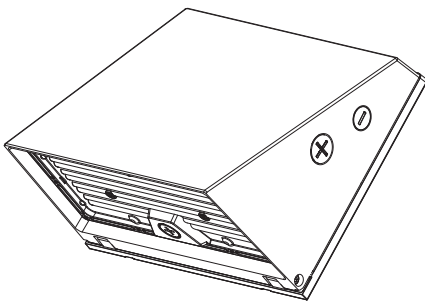
Tunnel (except for motor vehicle tunnel), workshop, warehouse, factory, house, building exterior, etc.

CAUTIONS:

1. Do not use any electric generator to test the LED Light.
2. Please abide by related country, regional and local law and regulations when installing this light.
3. Do not install the light in raining days to avoid electrical shock or damage.

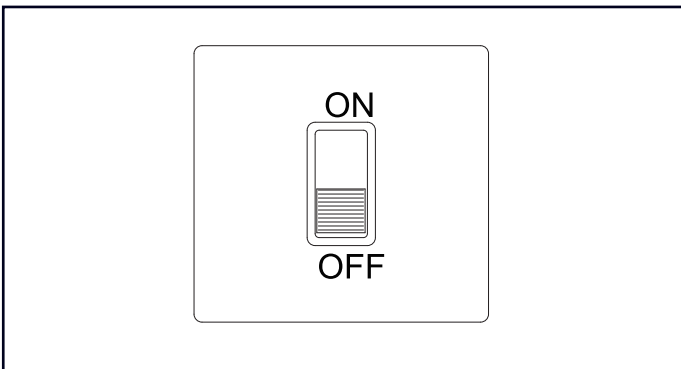
NOTES:

1. To avoid possibility of electrical shock or fire, the installation personnel must have professional electrical knowledge.
2. Please wear gloves to avoid injury before installation;
3. If at some point during or after installation, you should notice smoke or fire coming from the light, turn the power off immediately and notify an electrician.
4. This light is available for outdoor use. The recommended minimum distance from the light to ground is 2 meters.

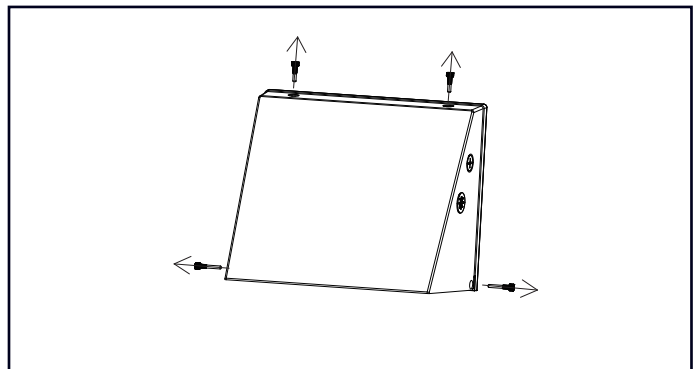


INSTALLATION

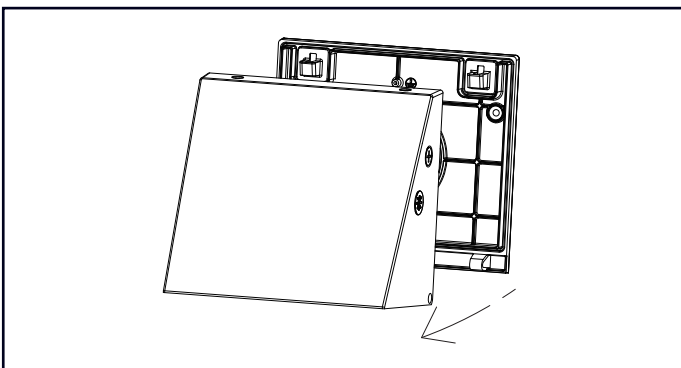
1. TURN POWER OFF.



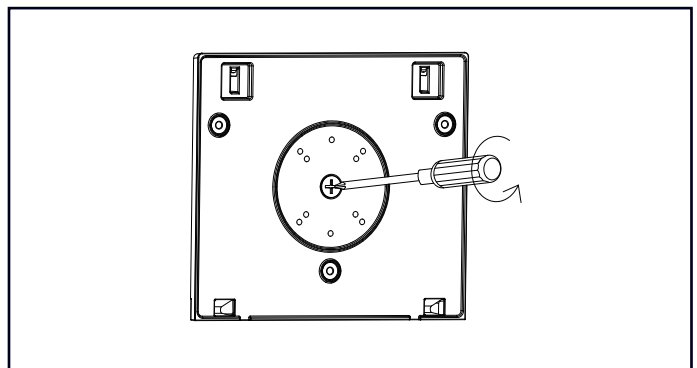
2. LOOSEN AND REMOVE THE SCREWS



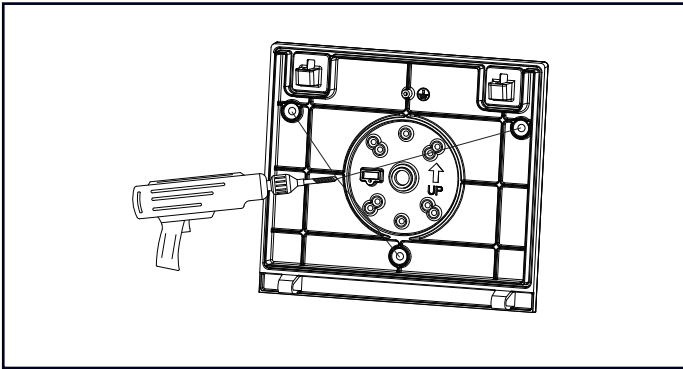
3. OPEN THE LIGHT, AND REMOVE THE UPPER COVER FROM THE LIGHT



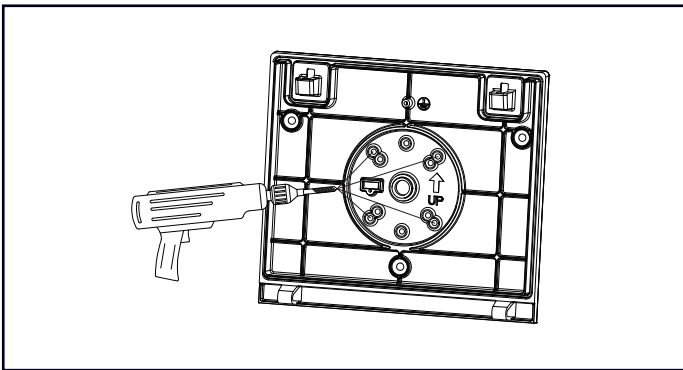
4. REMOVE THE PLUG AND ATTACH AN EVA COTTON PAD.



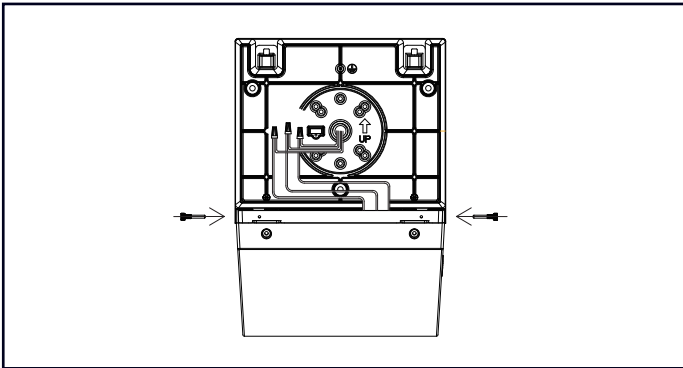
5.1.1. DRILL THROUGH THE MOUNTING HOLE WITH AN ELECTRIC DRILL.



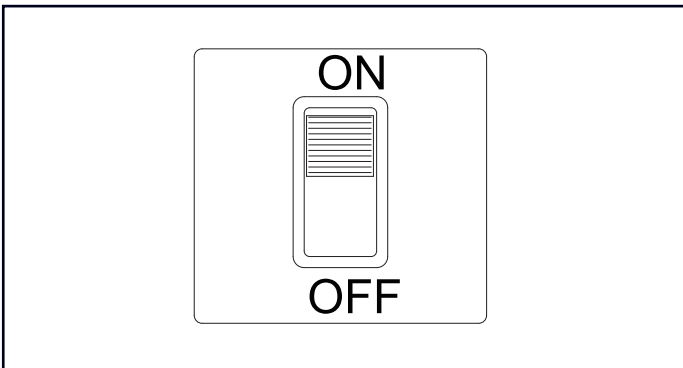
5.2.1. DRILL THROUGH THE MOUNTING HOLE WITH AN ELECTRIC DRILL.



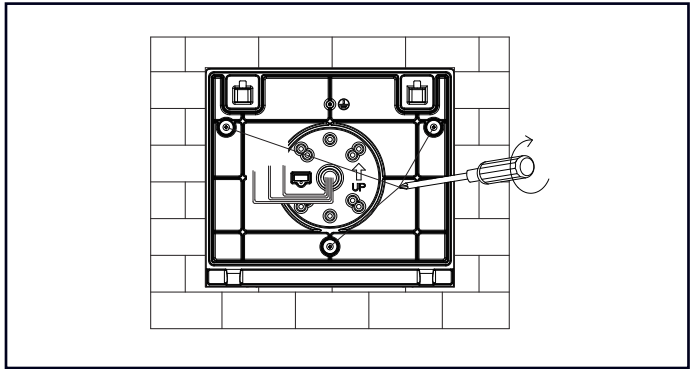
6. FASTEN THE SCREWS AND CONNECT THE L, N AND G WIRES TO THE POWER SUPPLY.



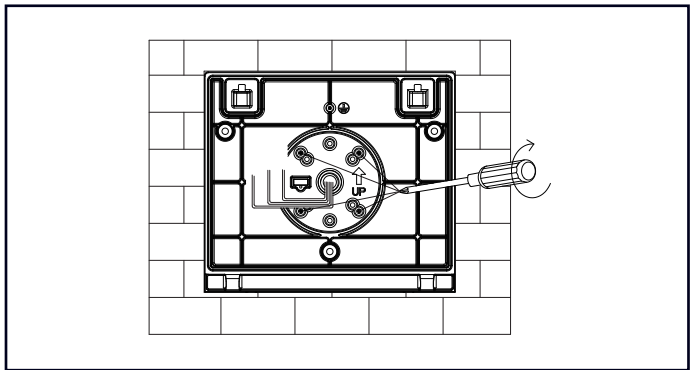
8. MAKE SURE THE INSTALLATION IS COMPLETE BEFORE TURNING POWER BACK ON.



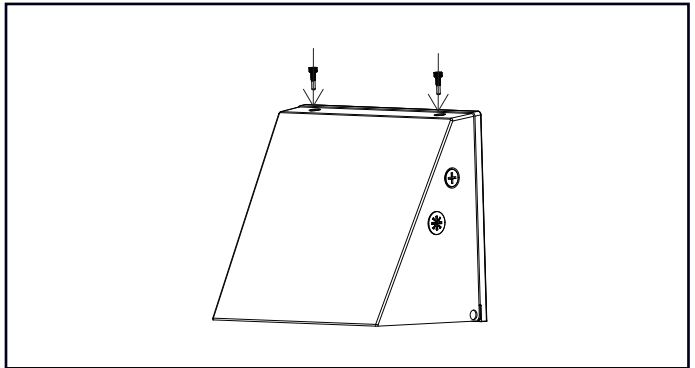
5.1.2 LOCK THE BOTTOM SHELL ON THE MOUNTING SEAT WITH SCREWS.



5.2.2 LOCK THE BOTTOM SHELL ON THE MOUNTING SEAT WITH SCREWS.



7. MOUNT THE COVER BACK AND FIX IT WITH SCREWS. CALK THE MOUNTING SURFACE.



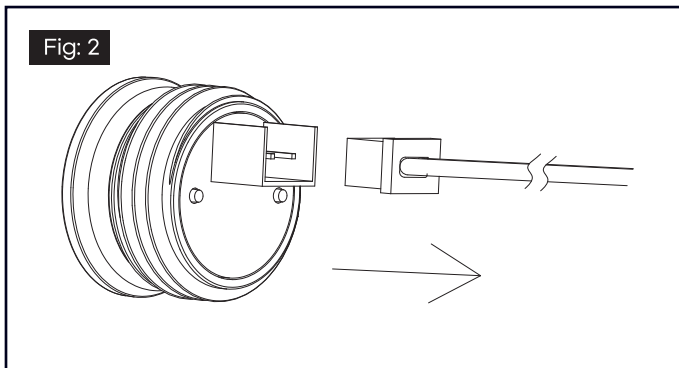
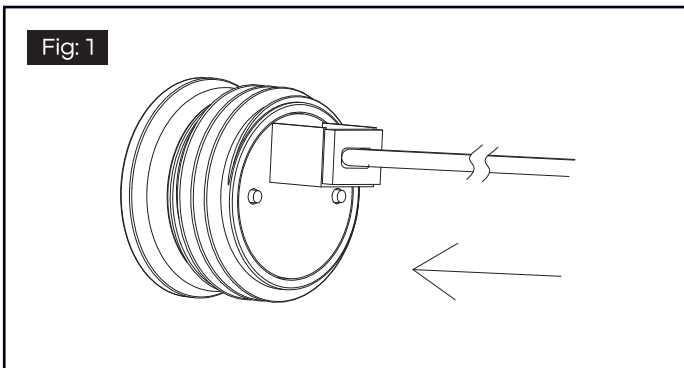
STANDARD WIRE:

L/live wire: Black\Brown; N/null wire: White\Blue; Ground wire: Green\Yellow-green.

WARNING:

During grounding, make sure the earth wire of the driver and light housing are connected together with the earth wire of the local power supply.

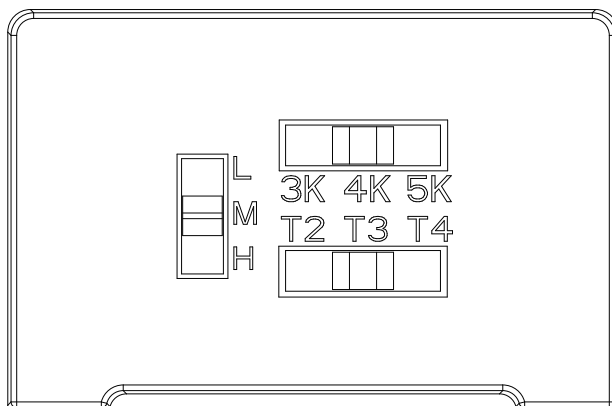
SPECIAL FUNCTIONS INSTRUCTION:



PHOTOCELL:

Connection of male and female connectors will help to turn on the photocell. (Fig: 1)

Disconnection of male and female connectors will help to turn off the photocell. (Fig: 2)



COLOR TEMPERATURE ADJUSTABLE INSTRUCTION

1. The color temperature of the light turns to 3000K when the DIP switch is set to 3K.
2. The color temperature of the light turns to 4000K when the DIP switch is set to 4K.
3. The color temperature of the light turns to 5000K when the DIP switch is set to 5K.

Note: Please turn off the power before adjusting the color temperature.

WATTAGE ADJUSTABLE INSTRUCTION

The power of the light will change to the corresponding wattage when the DIP switch is set to L/ M/ H.

Adjustable wattage range: 50%-100%.

Note: Please turn off the power before adjusting the wattage.

BEAM TYPE ADJUSTABLE INSTRUCTION

The beam type of the lamp will be changed accordingly when the DIP switch is set to T2/T3/T4.

Note: Please turn off the power before adjusting any function.