

LED OUTDOOR

UNIVERSAL FLOOD LIGHT - CCT & WATTAGE SELECTABLE

35W, 60W, 80W



LR40362 80W
60W | 70W | 80W

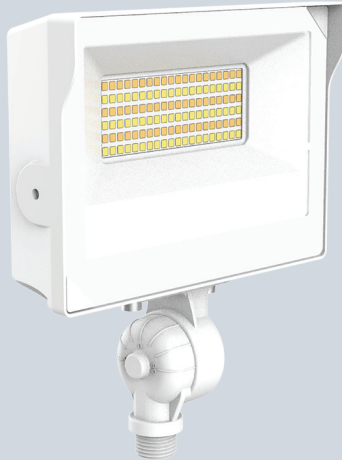
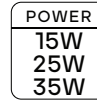
LR40361 60W
35W | 50W | 60W

LR40360 35W
15W | 25W | 35W



ITEM No.
LR40360

DESCRIPTION
LEDXFL35/3CCT/3WO/UNV/D/PC/KNU/WT

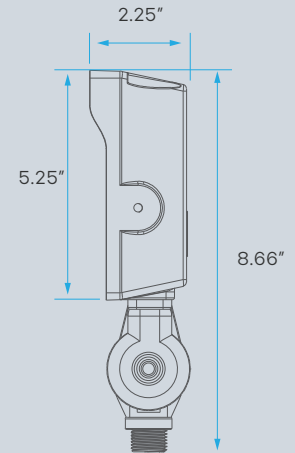
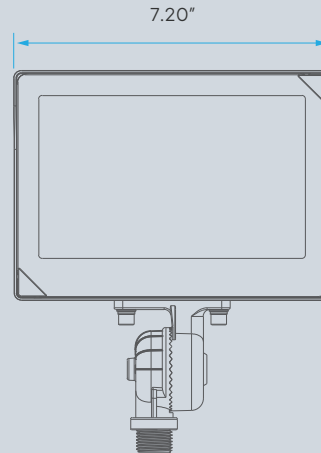


35W

15W | 25W | 35W

KNUCKLE MOUNT

*INCLUDED



| | COLOR TEMPERATURE | 3000K | | 4000K | | 5000K | |
|------------------------------------|----------------------------------|------------------------------|----------------------------|------------------------------|----------------------------|------------------------------|----------------------------|
| | INPUT POWER (TOLERANCE: ±10%) | EFFICACY (TOLERANCE: -3%) | LUMEN (TOLERANCE: -10%) | EFFICACY (TOLERANCE: -3%) | LUMEN (TOLERANCE: -10%) | EFFICACY (TOLERANCE: -3%) | LUMEN (TOLERANCE: -10%) |
| PHOTOMETRIC | 35 | 130 | 4,550 | 146 | 5,110 | 136 | 4,760 |
| | 25 | 134 | 3,350 | 150 | 3,750 | 140 | 3,500 |
| | 15 | 138 | 2,070 | 154 | 2,310 | 144 | 2,160 |
| | CRI | >80 | | | | | |
| | COLOR CONSISTENCY | <7 SDCM | | | | | |
| | BUG | B2-U0-G0 | | | | | |
| DISTRIBUTION PATTERN | CLEAR TEMPERED GLASS | | | | | | |
| BEAM ANGLE (10%) (TOLERANCE: ±15%) | 115° | | | | | | |
| ELECTRICAL | INPUT VOLTAGE | 120-277VAC | | | | | |
| | FREQUENCY | 50/60Hz | | | | | |
| | POWER FACTOR (TOLERANCE: -3%) | >0.9 | | | | | |
| | THD (TOLERANCE: +5%) | <20% | | | | | |
| | FLICKER PERCENT | <80% | | | | | |
| | DRIVER BRAND | MARCH | | | | | |
| | DRIVER MODEL | HB-FL19F035 | | | | | |
| | SURGE PROTECTION | L/N-PE: 2.5kV, L-N: 2.5kV | | | | | |
| | DIMMING | 0-10V | | | | | |
| | IP RATING | IP-65 | | | | | |
| MATERIALS | CHIP | SMD2835 | | | | | |
| | LED QTY | 112 | | | | | |
| | HOUSING | DIE CAST ALUMINUM | | | | | |
| TEMPERATURE | OPERATING TEMPERATURE | -22°F TO 122°F | | | | | |
| | OPERATING HUMIDITY | 20% - 90% RH | | | | | |

ITEM No.
LR40361

DESCRIPTION
LEDXFL60/3CCT/3WO/UNV/D/PC/KNU/TRN/WT

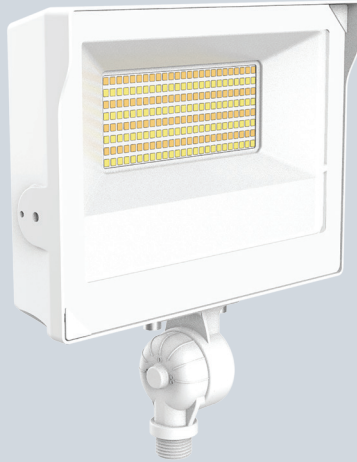
POWER
35W
50W
60W

DC
PHOTOCELL
SENSOR

2.5KV
SURGE
PROTECTOR

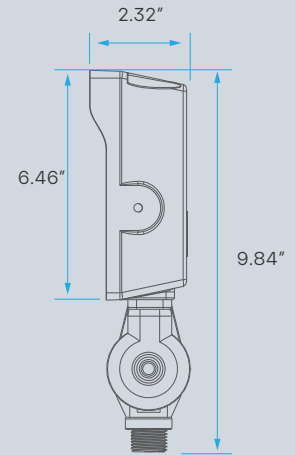
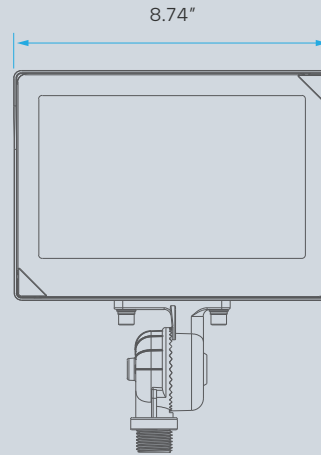
DLC
LISTED

UL
CERTIFIED



60W

35W | 50W | 60W



KNUCKLE MOUNT

*INCLUDED

TRUNION MOUNT

*INCLUDED

| | COLOR TEMPERATURE | 3000K | | 4000K | | 5000K | |
|-------------|------------------------------------|------------------------------|----------------------------|------------------------------|----------------------------|------------------------------|----------------------------|
| | INPUT POWER (TOLERANCE: ±10%) | EFFICACY (TOLERANCE: -3%) | LUMEN (TOLERANCE: -10%) | EFFICACY (TOLERANCE: -3%) | LUMEN (TOLERANCE: -10%) | EFFICACY (TOLERANCE: -3%) | LUMEN (TOLERANCE: -10%) |
| PHOTOMETRIC | 60 | 130 | 7,800 | 146 | 8,760 | 138 | 8,280 |
| | 50 | 134 | 6,700 | 150 | 7,500 | 142 | 7,100 |
| | 35 | 138 | 4,830 | 154 | 5,390 | 146 | 5,110 |
| | CRI | >80 | | | | | |
| | COLOR CONSISTENCY | <7 SDCM | | | | | |
| | BUG | B3-U0-G1 | | | | | |
| ELECTRICAL | DISTRIBUTION PATTERN | CLEAR TEMPERED GLASS | | | | | |
| | BEAM ANGLE (10%) (TOLERANCE: ±15%) | 115° | | | | | |
| | INPUT VOLTAGE | 120-277VAC | | | | | |
| | FREQUENCY | 50/60Hz | | | | | |
| | POWER FACTOR (TOLERANCE: -3%) | >0.9 | | | | | |
| | THD (TOLERANCE: +5%) | <20% | | | | | |
| | FLICKER PERCENT | <80% | | | | | |
| | DRIVER BRAND | MARCH | | | | | |
| | DRIVER MODEL | HB-FL19F060 | | | | | |
| | SURGE PROTECTION | L/N-PE: 2.5kV, L-N: 2.5kV | | | | | |
| MATERIALS | DIMMING | 0-10V | | | | | |
| | IP RATING | IP-65 | | | | | |
| | CHIP | SMD2835 | | | | | |
| TEMPERATURE | LED QTY | 192 | | | | | |
| | HOUSING | DIE CAST ALUMINUM | | | | | |
| | OPERATING TEMPERATURE | -22°F TO 122°F | | | | | |
| | OPERATING HUMIDITY | 20% - 90% RH | | | | | |

ITEM No.
LR40362

DESCRIPTION
LEDXFL80/3CCT/3WO/UNV/D/PC/KNU/TRN/WT

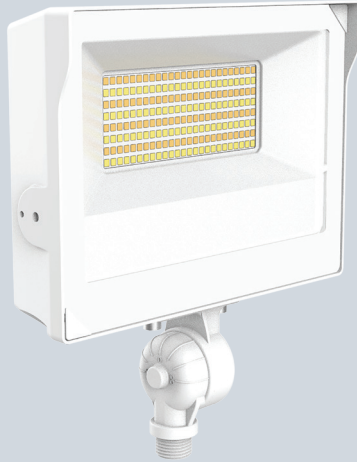
POWER
60W
70W
80W

DC
PHOTOCELL
SENSOR

6.0KV
SURGE
PROTECTOR

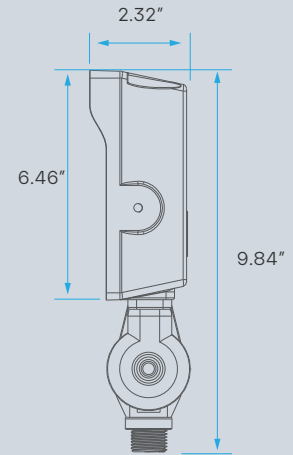
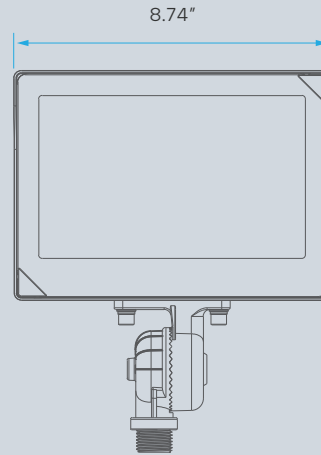
DLC
LISTED

UL
CERTIFIED



80W

60W | 70W | 80W



KNUCKLE MOUNT
*INCLUDED

TRUNION MOUNT
*INCLUDED

| | COLOR TEMPERATURE | 3000K | | 4000K | | 5000K | |
|-------------|------------------------------------|------------------------------|----------------------------|------------------------------|----------------------------|------------------------------|----------------------------|
| | INPUT POWER (TOLERANCE: ±10%) | EFFICACY (TOLERANCE: -3%) | LUMEN (TOLERANCE: -10%) | EFFICACY (TOLERANCE: -3%) | LUMEN (TOLERANCE: -10%) | EFFICACY (TOLERANCE: -3%) | LUMEN (TOLERANCE: -10%) |
| PHOTOMETRIC | 80 | 130 | 10,400 | 146 | 11,680 | 136 | 10,880 |
| | 70 | 134 | 9,380 | 150 | 10,500 | 140 | 9,800 |
| | 60 | 138 | 8,280 | 154 | 9,240 | 144 | 8,640 |
| | CRI | >80 | | | | | |
| | COLOR CONSISTENCY | <7 SDCM | | | | | |
| | BUG | B3-U0-G1 | | | | | |
| ELECTRICAL | DISTRIBUTION PATTERN | CLEAR TEMPERED GLASS | | | | | |
| | BEAM ANGLE (10%) (TOLERANCE: ±15%) | 115° | | | | | |
| | INPUT VOLTAGE | 120-277VAC | | | | | |
| | FREQUENCY | 50/60Hz | | | | | |
| | POWER FACTOR (TOLERANCE: -3%) | >0.9 | | | | | |
| | THD (TOLERANCE: +5%) | <20% | | | | | |
| | FLICKER PERCENT | <80% | | | | | |
| | DRIVER BRAND | BECKY | | | | | |
| | DRIVER MODEL | BQE80A-130-PVF-PS | | | | | |
| | SURGE PROTECTION | L/N-PE: 6.0kV, L-N: 4.0kV | | | | | |
| MATERIALS | DIMMING | 0-10V | | | | | |
| | IP RATING | IP-65 | | | | | |
| | CHIP | SMD2835 | | | | | |
| TEMPERATURE | LED QTY | 240 | | | | | |
| | HOUSING | DIE CAST ALUMINUM | | | | | |
| TEMPERATURE | OPERATING TEMPERATURE | -22°F TO 122°F | | | | | |
| | OPERATING HUMIDITY | 20% - 90% RH | | | | | |