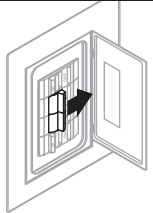


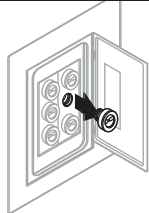
INSTALLATION INSTRUCTIONS

READ IMPORTANT SAFETY TIPS BEFORE PROCEEDING WITH INSTALLATION

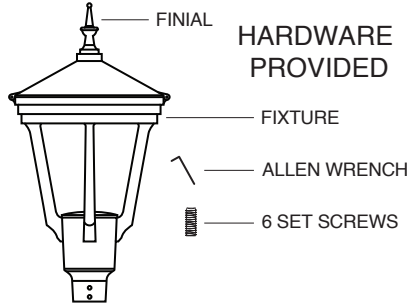
SAFETY TIPS



IMPORTANT
TURN OFF
POWER SOURCE

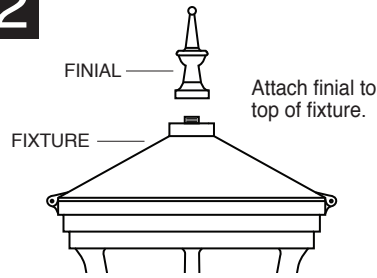


1



HARDWARE PROVIDED

2



Attach finial to top of fixture.

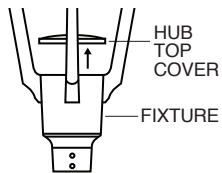
3

Remove hub top cover. Connection points inside. Make sure hub top cover is tightly secured when done.

*0-10V Dimmer (By Others)

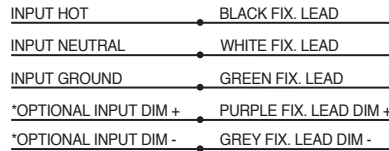
WARNING: Verify site input voltage matches voltage of the fixture. Secure all wiring and connections in the pole or junction box.

If dimmer is not used, purple and grey fixture leads must be capped off. 5 wire nuts provided.

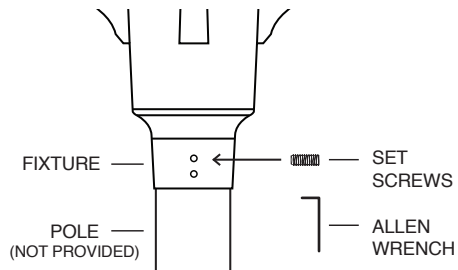


CONNECT WIRES BEFORE ATTACHING FIXTURE TO POLE

WIRING DIAGRAM



4



Attach fixture to pole. Secure to pole by tightening fixture set screws with allen wrench (provided).

SAFETY NOTE: Selecting A Pole For Performance And Safety Requires A Full Understanding Of Various Factors And Conditions. Professional Engineering Assistance In Selecting A Pole Is Highly Recommended. Purchaser Is Responsible For Meeting Any And All Codes Or Requirements. If You Choose A Pole Without Getting Such Assistance, You Do So At Your Own Risk.

MAINTENANCE: This Fixture And Its Lens Should Be Periodically Inspected And Maintained. Remove Insects And Debris. Clean Only With Mild Soap And Water. Failure To Maintain Or Properly Clean Fixture Voids Warranty. Failure To Comply With Manufacturers Instructions Voids Warranty. Modifications To Fixture Voids Warranty. See Warranty For Full Details.

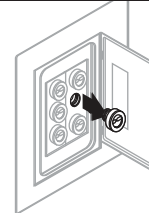
INSTALLATION INSTRUCTIONS

READ IMPORTANT SAFETY TIPS BEFORE PROCEEDING WITH INSTALLATION

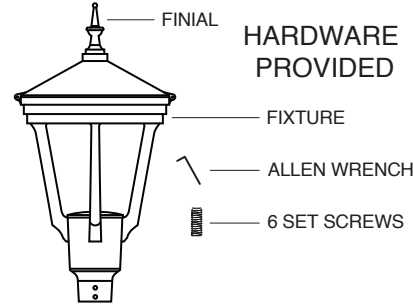
SAFETY TIPS



IMPORTANT
TURN OFF
POWER SOURCE

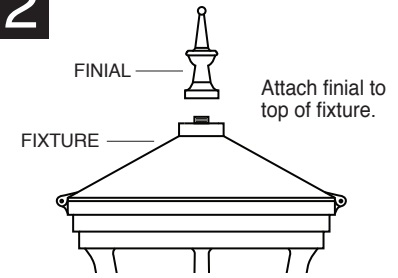


1



HARDWARE PROVIDED

2



Attach finial to top of fixture.

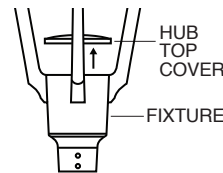
3

Remove hub top cover. Connection points inside. Make sure hub top cover is tightly secured when done.

*0-10V Dimmer (By Others)

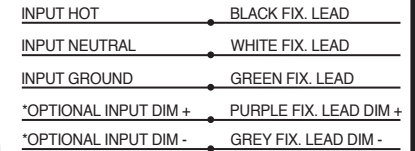
WARNING: Verify site input voltage matches voltage of the fixture. Secure all wiring and connections in the pole or junction box.

If dimmer is not used, purple and grey fixture leads must be capped off. 5 wire nuts provided.

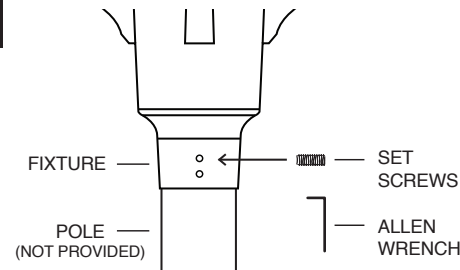


CONNECT WIRES BEFORE ATTACHING FIXTURE TO POLE

WIRING DIAGRAM



4



Attach fixture to pole. Secure to pole by tightening fixture set screws with allen wrench (provided).

SAFETY NOTE: Selecting A Pole For Performance And Safety Requires A Full Understanding Of Various Factors And Conditions. Professional Engineering Assistance In Selecting A Pole Is Highly Recommended. Purchaser Is Responsible For Meeting Any And All Codes Or Requirements. If You Choose A Pole Without Getting Such Assistance, You Do So At Your Own Risk.

MAINTENANCE: This Fixture And Its Lens Should Be Periodically Inspected And Maintained. Remove Insects And Debris. Clean Only With Mild Soap And Water. Failure To Maintain Or Properly Clean Fixture Voids Warranty. Failure To Comply With Manufacturers Instructions Voids Warranty. Modifications To Fixture Voids Warranty. See Warranty For Full Details.