



VWM FULL CUTOFF WALL PACK

INSTALLATION INSTRUCTIONS

⚠ CAUTION

PLEASE READ INSTRUCTIONS BEFORE COMMENCING INSTALLATION AND RETAIN FOR FUTURE REFERENCE.
Electrical products can cause death or injury, or damage to property. If in any doubt about the installation or use of this product, consult a competent electrician.

⚠ WARNING

To avoid the risk of fire, explosion, or electric shock, this product shall be installed, inspected, and maintained by a qualified electrician, in accordance with all applicable electrical codes.

⚠ WARNING

To avoid electric shock:

- Be certain electrical power is OFF before and during installation or maintenance.
- Luminaire must be connected to a wiring system with equipment-grounding conductor

To avoid explosion:

- Make sure the supply voltage is the same as the rated luminaire voltage.
- Do not install where marked operating temperatures exceed the ignition temperature of the hazardous atmosphere.
- Do not operate in ambient temperatures above those indicated on the luminaire.
- Do not use any electric generator to power the LED fixture.

General Wiring Diagram:

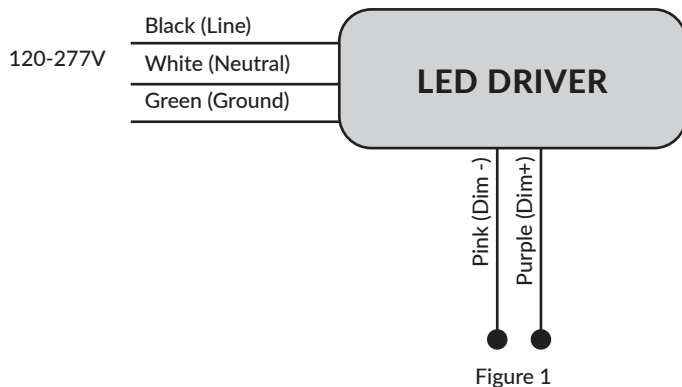


Figure 1

Universal voltage driver permits operation at 120-277V, 50/60Hz. 0-10V control wires must be rated for 300V minimum.

For 0-10V Dimming, follow the wiring direction (Figure 1).

1. Connect the black fixture lead to the (+) LINE supply lead.
2. Connect the white fixture lead to the (-) COMMON supply lead.
3. Connect the GROUND wire from fixture to supply ground. Do NOT connect the GROUND of the dimming fixture to the output.
4. Connect the violet fixture lead to the (V+) Dim lead.
5. Connect the pink/gray fixture lead to the (V-) Dim lead.

Introduction:

- This LED Wall Pack uses the latest in solid-state lighting technology for long life, low maintenance, and high efficiency.
- This luminaire can field select color temperature between either 3000K/4000K/5000K, default with 4000K .
- This luminaire can field adjust the brightness through the Slide Switch.
- The solid-state driver allows operation on nominal 120-277V 50/60Hz AC supply without any variation in light output.

Suitable for use in the following locations:

- Ambient Temperature: -40°F to 104°F (-40°C to 40°C)
- Suitable for Wet Locations.

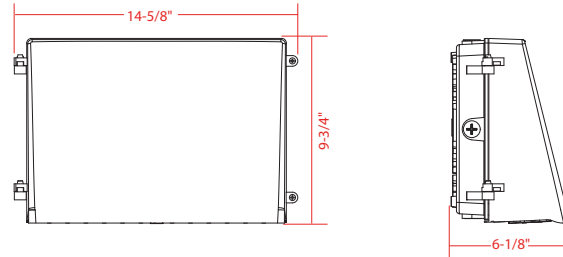


VWM FULL CUTOFF WALL PACK

INSTALLATION INSTRUCTIONS

Installation Instructions:

1. Read all Warnings and Installer Notes before proceeding with this installation.
2. Check to ensure all parts listed are included in your installation



VWM-3L/4L/5L-U-CCTS
VWM-8L/11L/14L-U-CCTS

Installation Instructions:

TURN OFF POWER FROM MAIN CIRCUIT BREAKER

1. Junction box Mounting

- Open the fixture by loosening the two screws on the right side of the housing. Disconnect the male and female connectors. Remove the LED and lens housing from the rear housing containing the driver. (Figure 1)
- Prepare the rear housing for mounting by drilling or knocking out points A/B/C/D to get four holes matching the Junction box design (provided by others); Unscrew the rear bolt(1) from the center. (Figure 2)
- Bring the main power wires through the rear hole into the fixture. Line up the rear housing in the desired location. Built-in level bubble provided to facilitate mounting alignment. Lock it securely to the water-proof Junction Box with screws through points A/B/C/D. (Figure 3)
- Use the hinge to lock the LED and lens housing and the rear housing firmly. Connect the main power leads and dimming according to wiring diagram. Connect the male and female connectors together. Adjust the wattage and CCT through the Slide Switches as desired. Finally secure the LED and lens housing with the rear housing together, by tightening back the side screws until securely fasten. (Figure 4)

IMPORTANT: To weather-proof your outdoor installation, use silicone sealant to seal all holes in the fixture housing (mounting, conduit, plugs, photocontrols, etc.) and all edges between the fixture housing and the mounting surface.

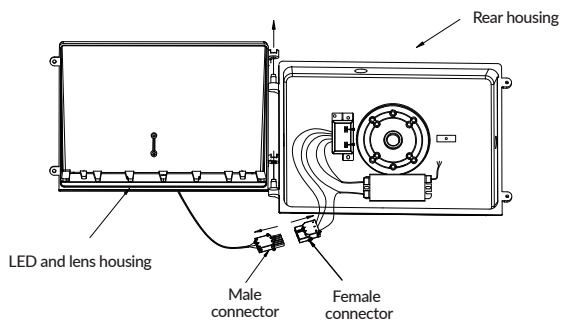


Figure 1

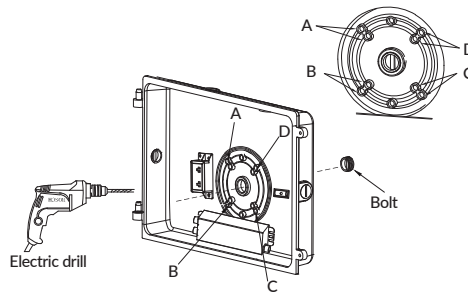


Figure 2

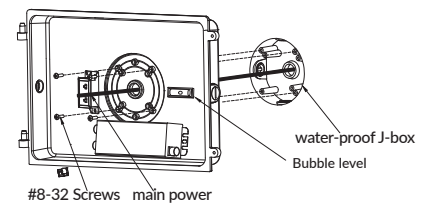


Figure 3

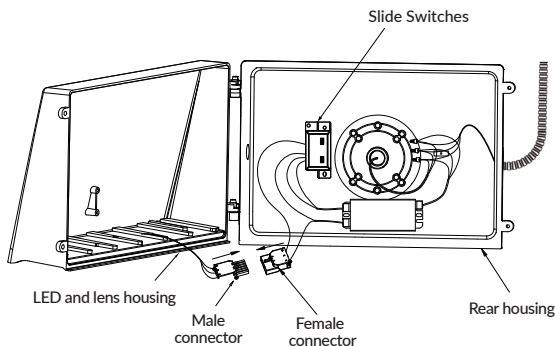
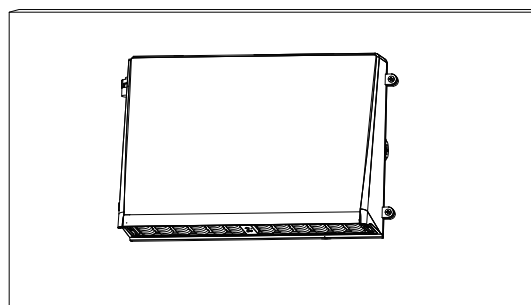


Figure 4





VWM FULL CUTOFF WALL PACK

INSTALLATION INSTRUCTIONS

Installation Instructions:

2. Conduit Mounting

- Open the fixture by loosening the two screws on the right side of the housing. Disconnect the male and female connectors. Remove the LED and lens housing from the rear housing containing the driver. (Figure 5)
- Locate the point E/F/G for surface mounting they correspond to the location of the 3 cratered mounting holes at the back of the rear housing. Prepare the rear housing for mounting by drilling points E/F/G to get three hole; Unscrew the locking Bolt (2) from the side from where the conduit will come into the fixture. (Figure 5)
- Bring the main power wires from conduit through the hole into the fixture. Line up the rear housing in the desired location and aligned it with the conduit insert. Built-in level bubble provided to facilitate mounting alignment. Lock it securely to the mounting surface with the three screws. Once securely attached ensure waterproofing with adding silicon sealant around E/F/G mounting points. (Figure 6)
- Use the hinge to lock the LED and lens housing and the rear housing firmly. Connect the main power leads and dimming according to wiring diagram. Connect the male and female connectors together. Adjust the wattage and CCT through the DIP switch as per desired. Secure the LED and lens housing with the rear housing together, by tightening back the side screws until securely fasten. (Figure 7)

IMPORTANT: To weather-proof your outdoor installation, use silicone sealant to seal all holes in the fixture housing (mounting, conduit, plugs, photocontrols, etc.) and all edges between the fixture housing and the mounting surface.

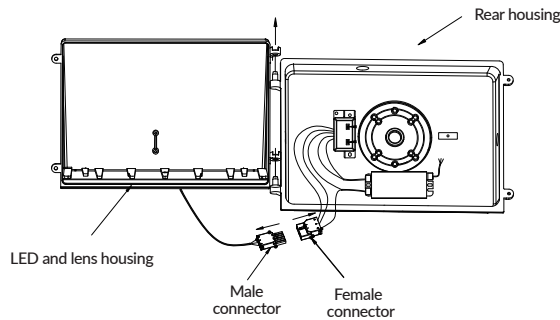


Figure 5

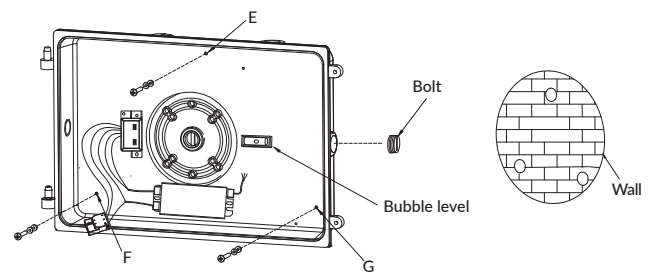


Figure 6

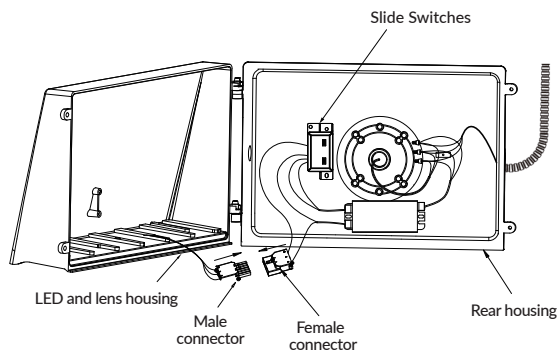
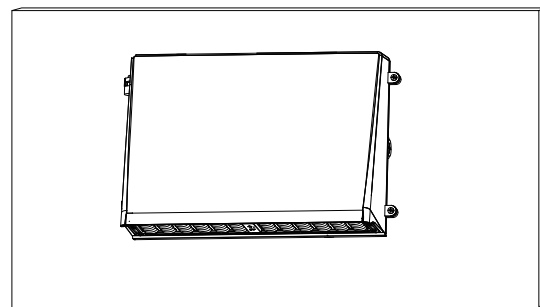


Figure 7





VWM FULL CUTOFF WALL PACK

INSTALLATION INSTRUCTIONS

Mode	Power		3000K	4000K	5000K
VWM-3L/4L/5L-U-CCTS	High	40W	5120	5600	5320
	Med	30W	3840	4200	3990
	Low	20W	2560	2800	2660
VWM-8L/11L/14L-U-CCTS	High	100W	12800	14000	13300
	Med	80W	10240	11200	10640
	Low	60W	7680	8400	7980

After Installation:

AFTER INSTALLATION IS COMPLETE, PLEASE CHECK THE FOLLOWING:

- Ensure the lighting fixture is firmly fixed to the wall.
- Ensure wires are connected correctly before applying power.
- At last, turn on the power, and check if the lighting fixture works properly. If not, turn off the power and contact your local dealer.

WARNING: The luminaire shall be installed by qualified electrician.

Cleaning and Maintenance:

CAUTION: Be sure fixture temperature is cool enough to touch. Do not clean or maintain while fixture is energized.

1. Clean lens & fixture with non-abrasive cleaning solution.
2. Do not allow LED modules or other electronics to come into contact with water, solvents, or other chemicals.
3. Clean the diffuser only with a mild soap and water. Do not use solvents such as alcohol or bleach.
4. Clean painted surfaces only with a mild soap, isopropyl alcohol, or acetic acid solution.