



L.T.F.

No-Load Electronic Transformers

TA, TE, TU 300W 12V AC & DC Series



Efficiency	> 85%
Power Factor	> 98%
Case TC	90°C Max
Protection	Input / Output
Storage	-30°C / +90°C
Humidity	95% RH max
IP Rating	IP 44
Dimming	ELV, Optional 0-10V
Class	Class 2



RoHS



*Ask for more information

FEATURES

- No load technology, works with both halogen & LED, AC or DC loads
- Dimmable with ELV type dimmers
- Isolated output power per NEC and UL safety requirements
- UL recognized/listed Class 2 power supply, meets UL 2108 requirements
- Auto-reset; short circuit, overload and thermal protection
- Soft start
- Low profile, small compact design to fit in most enclosures
- Available with optional UL listed indoor and outdoor remote enclosures

ELECTRICAL SPECIFICATIONS

TA Series 120V

Model #	Input Voltage	Input Current	Output Voltage	Weight	Load Type
TA300WA12	120V AC 50/60Hz	2.5 A	12V AC	300g	Incandescent & Halogen Bulbs
TA300WD12	120V AC 50/60Hz	2.5 A	12V DC	300g	Incandescent & Halogen Bulbs
TA300WDS12	120V AC 50/60Hz	2.5 A	12V DC	300g	Incandescent & Halogen Bulbs
TA300WA12LED	120V AC 50/60Hz	2.5 A	12V AC	300g	AC LED Bulbs, Incandescent & Halogen Bulbs
TA300WD12LED	120V AC 50/60Hz	2.5 A	12V DC	300g	LED Strips, LED Bulbs, Incandescent & Halogen Bulbs
TA300WDS12LED	120V AC 50/60Hz	2.5 A	12V DC	300g	LED Strips, LED Bulbs, Incandescent & Halogen Bulbs

TA Series 120V Remote

Model #	Input Voltage	Input Current	Output Voltage	Weight	Load Type
TA300WA12RE	120V AC 50/60Hz	2.5 A	12V AC	773g	Incandescent & Halogen Bulbs
TA300WA12REO	120V AC 50/60Hz	2.5 A	12V AC	1097g	Incandescent & Halogen Bulbs
TA300WDS12RE	120V AC 50/60Hz	2.5 A	12V DC	773g	Incandescent & Halogen Bulbs
TA300WDS12REO	120V AC 50/60Hz	2.5 A	12V DC	1097g	Incandescent & Halogen Bulbs



L.T.F.

No-Load Electronic Transformers

TA, TE, TU 300W 12V AC & DC Series



ELECTRICAL SPECIFICATIONS

TA Series 120V Remote

Model #	Input Voltage	Input Current	Output Voltage	Weight	Load Type
TA300WA12LEDRE	120V AC 50/60Hz	2.5 A	12V AC	773g	AC LED Bulbs, Incandescent & Halogen Bulbs
TA300WA12LEDREO	120V AC 50/60Hz	2.5 A	12V AC	1097g	AC LED Bulbs, Incandescent & Halogen Bulbs
TA300WDS12LEDRE	120V AC 50/60Hz	2.5 A	12V DC	773g	LED Strips, LED Bulbs, Incandescent & Halogen Bulbs
TA300WDS12LEDREO	120V AC 50/60Hz	2.5 A	12V DC	1097g	LED Strips, LED Bulbs, Incandescent & Halogen Bulbs

TU Series 220-240V

Model #	Input Voltage	Input Current	Output Voltage	Weight	Load Type
TU300WA12	220-240V AC 50/60Hz	1.36 A	12V AC	300g	Incandescent & Halogen Bulbs
TU300WD12	220-240V AC 50/60Hz	1.36 A	12V DC	300g	Incandescent & Halogen Bulbs
TU300WDS12	220-240V AC 50/60Hz	1.36 A	12V DC	300g	Incandescent & Halogen Bulbs
TU300WA12LED	220-240V AC 50/60Hz	1.36 A	12V AC	300g	AC LED Bulbs, Incandescent & Halogen Bulbs
TU300WD12LED	220-240V AC 50/60Hz	1.36 A	12V DC	300g	LED Strips, LED Bulbs, Incandescent & Halogen Bulbs
TU300WDS12LED	220-240V AC 50/60Hz	1.36 A	12V DC	300g	LED Strips, LED Bulbs, Incandescent & Halogen Bulbs

TU Series 220-240V Remote

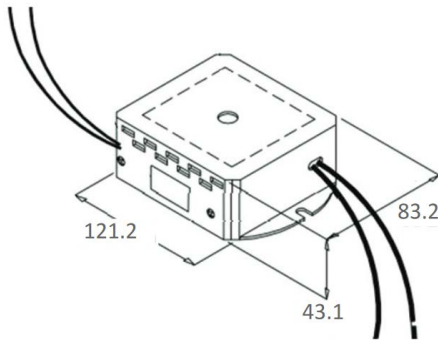
Model #	Input Voltage	Input Current	Output Voltage	Weight	Load Type
TU300WA12RE	220-240V AC 50/60Hz	1.36 A	12V AC	773g	Incandescent & Halogen Bulbs
TU300WA12REO	220-240V AC 50/60Hz	1.36 A	12V AC	1097g	Incandescent & Halogen Bulbs
TU300WDS12RE	220-240V AC 50/60Hz	1.36 A	12V DC	773g	Incandescent & Halogen Bulbs
TU300WDS12REO	220-240V AC 50/60Hz	1.36 A	12V DC	1097g	Incandescent & Halogen Bulbs
TU300WA12LEDRE	220-240V AC 50/60Hz	1.36 A	12V AC	773g	Incandescent & Halogen Bulbs
TU300WA12LEDREO	220-240V AC 50/60Hz	1.36 A	12V AC	1097g	Incandescent & Halogen Bulbs
TU300WDS12LEDRE	220-240V AC 50/60Hz	1.36 A	12V DC	773g	LED Strips, LED Bulbs, Incandescent & Halogen Bulbs
TU300WDS12LEDREO	220-240V AC 50/60Hz	1.36 A	12V DC	1097g	LED Strips, LED Bulbs, Incandescent & Halogen Bulbs



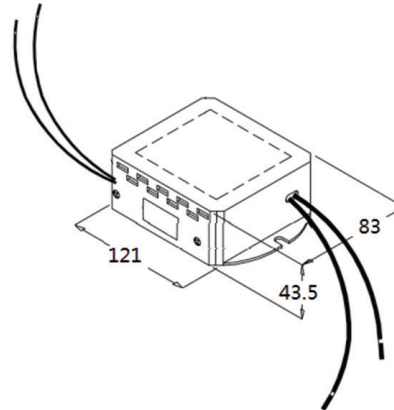
MECHANICAL SPECIFICATIONS

Available Form Factors	Dimensions
Standard "E2" (AC Models)	121.2X83.2X43.1mm
Standard "E4" (DC Models)	121X83X43.5mm
Standard "E3" (-DS Models Only)	104.1X81.3X39.4mm
"G2" Indoor Remote Enclosure	233.1X85.5X48.9mm
"G3" Outdoor Remote Enclosure	280x103x56mm

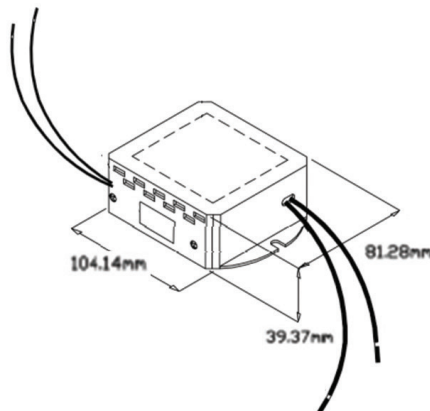
E2 (AC) - Standard



E4 (DC) - Standard



E3 (-DS Models Only) - Standard





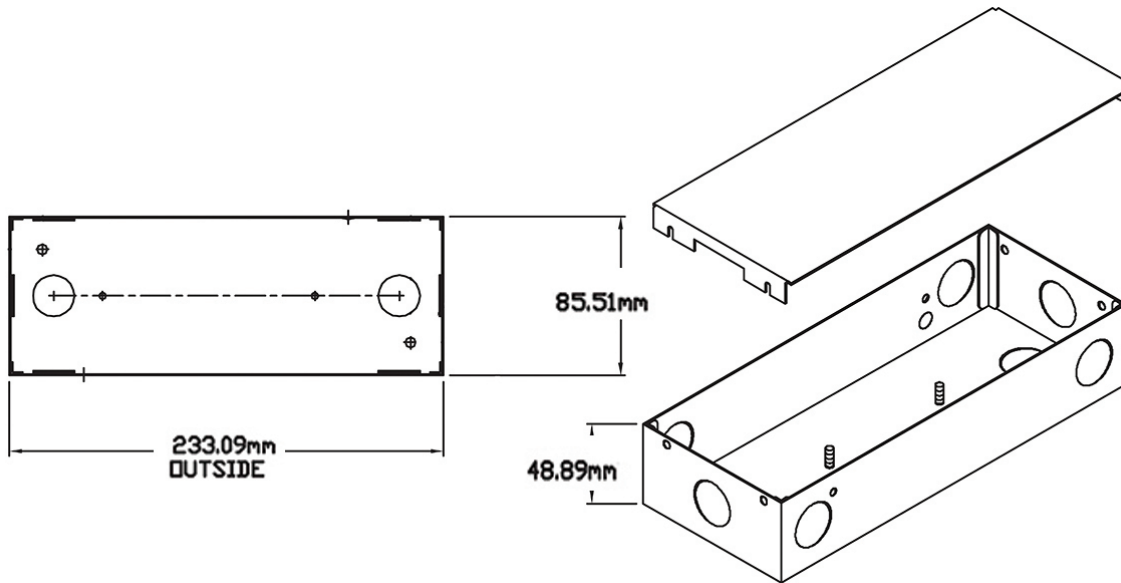
L.T.F.

No-Load Electronic Transformers

TA, TE, TU 300W 12V AC & DC Series



G2 - REMOTE (RE) INDOOR ENCLOSURE - UL LISTED



G3 - REMOTE (REO) OUTDOOR ENCLOSURE - UL LISTED

