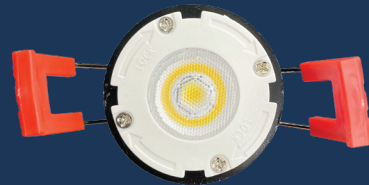


# LUXRITE®

## LED CANLESS - SPOTLIGHT JACKSONVILLE COLLECTION



\*TRIMS SOLD SEPARATELY



FRONT VIEW

---

CRI 90

COLOR SELECTABLE

2700K	3000K	3500K	4000K	5000K
-------	-------	-------	-------	-------

DIMMABLE TRIAC

IC RATED

AIR TIGHT

WET LOCATION RATED

120V

5 YEAR WARRANTY

ETL Intertek

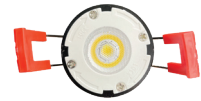
## LR23460 LED/DLMD1/5CCT/RD/WT



APERTURE	1"
DISTRIBUTION	FIXED
APPLICATION	NEW CONSTRUCTION & REMODEL



\*TRIMS SOLD SEPARATELY



FRONT VIEW

### ELECTRICAL

POWER	7W
INPUT VOLTS	120V
INPUT CURRENT	70mA
FREQUENCY	60Hz
DIMMING TYPE	TRIAC
DIMMING RANGE	10-100%
FEED WIRE GAUGE	18AWG
BREAKER SPECIFICATION *(15A @120V)	171pcs

\*Mathematically estimated value. Actual capacity may vary by breaker type and installation environment.

### PHOTOMETRIC

COLOR CCT	2700K/3000K/3500K/4000K/5000K
CRI	90
LUMEN	500lm
EFFICACY	71
BEAM ANGLE	30°

### CERTIFICATIONS & SAFETY

LR23460	ETL
IP RATING	IP54
WET LOCATION	YES
IC RATED	YES
AIR TIGHT	YES
OPERATING TEMP.	-4°F to 104°F
COST/YR	\$ 0.84
WARRANTY	5 YR

### MATERIAL & APPLICATION

HEAT SINK	DIE-CAST ALUMINUM
TRIM	ALUMINUM
LENS	PC ACRYLIC
CUTOUT	Ø2.12"
MOUNTING TYPE	RECESSED
AREA OF APPLICATION	RESIDENTIAL, COMMERCIAL
CEILING TYPE	DRYWALL, WOOD

### DRIVER

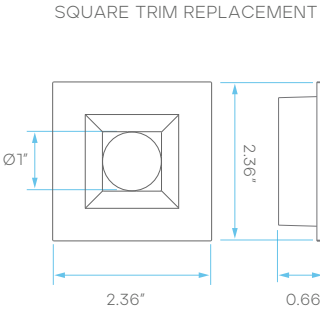
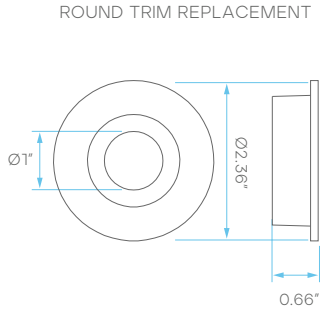
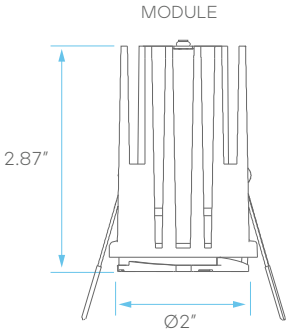
	POWER	INPUT VOLTS	INPUT CURRENT	FREQUENCY	INPUT POWER	OUTPUT VOLTAGE	DIMENSIONS	KNOCKOUTS
INCLUDED DRIVER	7W	120V	80mA	60Hz	7W max	36V DC	6"L X 2"W X 2"H	2

MODEL	DESCRIPTION	EM POWER	INPUT VOLTS	INPUT CURRENT	FREQUENCY	INPUT POWER	OUTPUT VOLTAGE	RECHARGE TIME	EMERGENCY TIME
LR35126**	LED/EMR/15W/AC/SF/E	15W	100-347V	100mA	50/60Hz	12W max	170V DC	24HR	90MINS

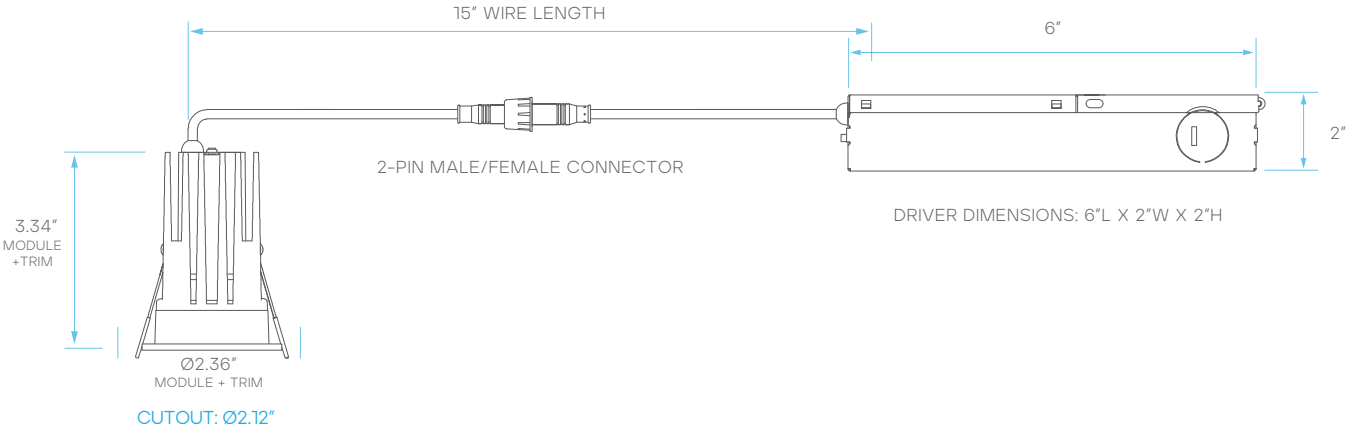
\*AMBIENT TEMPERATURE: 41°F ~ 122°F

\*\*SOLD SEPARATELY

## DIMENSIONS



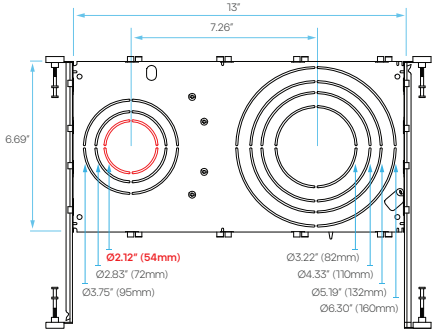
MODULE + TRIM & DRIVER



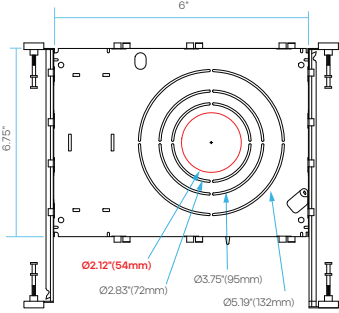
## PLATE COMPATIBILITY\*

\*SOLD SEPARATELY

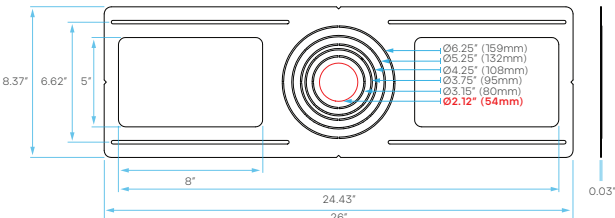
LR41010  
KNOCKOUT  
LO



LR41004  
KNOCKOUT  
O



LR41006  
KNOCKOUT  
O



## INTERCHANGEABLE TRIM OPTIONS\*

\*SOLD SEPARATELY

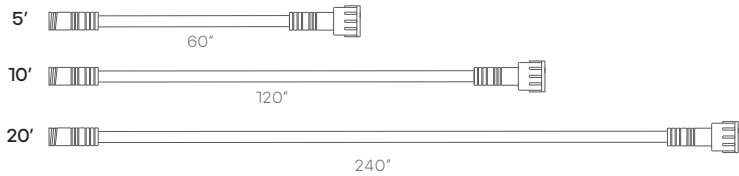
	MODEL	DESCRIPTION	SIZE	FINISH	SHAPE	APPLICATION
	LR23461	LED/DLMD1/TRM/RD/BK	1"	BLACK	ROUND	FIXED
	LR23462	LED/DLMD1/TRM/SQ/WT	1"	WHITE	SQUARE	FIXED
	LR23463	LED/DLMD1/TRM/SQ/BK	1"	BLACK	SQUARE	FIXED

## WIRE EXTENDER OPTIONS

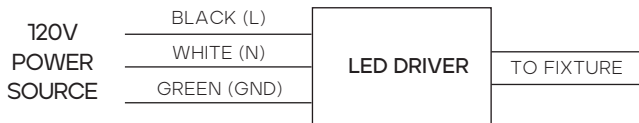
\*SOLD SEPARATELY



MODEL	TYPE	WIRE GAUGE
LR41050	5' - 2 PIN	22 AWG
LR41052	10' - 2 PIN	22 AWG
LR41054	20' - 2 PIN	22 AWG



## WIRING DIAGRAM



## SUGGESTED COMPATIBLE DIMMER\*

LUTRON	CTCL-153P
	DVCL-153PDH
	DVCL-153P
LEVITON	6672
	6674
PASS & SEYMOUR	HCL453PTCCCV6

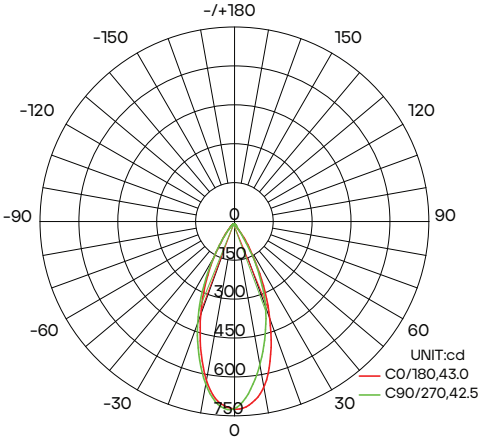
\*Dimmer performance may vary based on load, wiring, and installation conditions. Inclusion on this chart does not guarantee compatibility for every installation, and omission does not indicate incompatibility. Refer to the dimmer manufacturer's installation instructions and verify minimum load requirements to avoid field issues.

## PACKAGING

MODEL	STYLE	INNER BOX DIMENSIONS	MASTER CARTON DIMENSIONS	CASE
LR23460	INNER BOX + MASTER CARTON	8.26" X 4.92" X 1.96"	17.51" X 8.85" X 13.38"	24

Luxrite® Luxiflow® tool is for informational purposes only, it is not intended to provide lighting or electrical advise.

LUMINOUS INTENSITY DISTRIBUTION DIAGRAM



AVERAGE BEAM ANGLE(50%): 42.7 DEG

\*DIAGRAM SHOWING LR23460 AT 2700K

C0 PLANE ISOLUX DIAGRAM (UNIT:lx)

