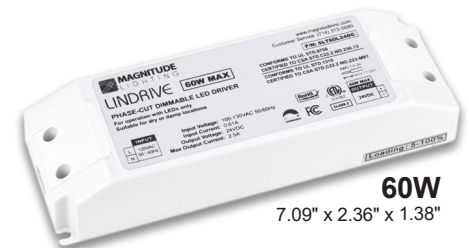
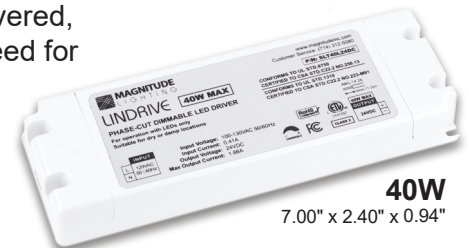


LINDRIVE SERIES

Constant Voltage LED Driver Phase-Cut Dimmable

The LINDRIVE is an electronic Class 2, phase dimmable LED driver with a low profile hard plastic case making it the perfect choice for lower power tape lighting, kick/cove lighting, under cabinet lighting and multiple other residential and commercial lighting applications. The ETL Listed enclosure utilizes covered, side feed terminal blocks for easy wiring and installation, eliminating the need for a separate junction box. The driver features auto reset, over current and short circuit protection as well as an efficiency over 90% resulting in low operating case temperature. The LINDRIVE SERIES is phase dimmable with leading edge dimmers.

P/N: SLT



- Product Name:** LINDRIVE
- Description:** Constant Voltage Dimmable LED Driver
- Installation:** Terminal Blocks with Side Feed
- Driver Type:** Class 2 Single Channel
- Dimming:** Phase Dimmable with Leading Edge Dimmer
- Input Voltage:** 100VAC - 130VAC, 50/60Hz
- Output Voltage:** 12VDC or 24VDC
- Environmental:** Dry and Damp
- Wattage:** 20W, 40W, 60W
- IP Rating:** IP66
- Listing:** ETL Listed
- Certifications:** UL8750
- Warranty:** 5-Year



CLASS 2

100-130V

12/24VDC



Ordering Guide

SLT	L	DC	Example: SLT20L12DC
Type	Max Power	Listing	Output
SLT - LINDRIVE SERIES	20 – 20W 40 – 40W 60 – 60W	L – ETL Listed	12 – 12VDC 24 – 24VDC

	20W	40W	60W
Length	6.10" (154.94mm)	7.00" (177.8mm)	7.48" (190mm)
Mounting Length	5.80" (147.32mm)	6.70" (170.18mm)	7.09" (180.1mm)
Width	2.10" (53.34mm)	2.40" (60.96mm)	2.36" (59.94mm)
Height	0.80" (20.32mm)	1.00" (25.40mm)	1.38" (35.05mm)

LINDRIVE SERIES

Constant Voltage LED Driver

Phase-Cut Dimmable

Specifications

Input	20W	40W	60W
Input Voltage Range:	100 - 130VAC	100 - 130VAC	100 - 130VAC
Input Frequency:	47 / 63Hz	47 / 63Hz	47 / 63Hz
Input Current:	0.90A@120VAC (12VDC) 0.90A@120VAC (24VDC)	1.6A@120VAC (12VDC) 1.6A@120VAC (24VDC)	1.0A@120VAC (12VDC) 1.0A@120VAC (24VDC)
Efficiency:	> 82% (12VDC) > 82% (24VDC)	> 82% (12VDC) > 82% (24VDC)	> 85% (12VDC) > 87% (24VDC)
Power Factor:	>0.65	>0.65	>0.65

Output	20W	40W	60W
Max Load:	20W	40W	60W
Output Voltage @ Max Load:	12.0 VDC 24.0 VDC	12.0 VDC 24.0 VDC	12.0 VDC 24.0 VDC
Output Current @ Max Load:	2.1A (12VDC) 1.05A (24VDC)	4.16A (12VDC) 2.1A (24VDC)	5A (12VDC) 2.5A (24VDC)

Environmental	20W	40W	60W
Ambient Operating Temp.:	-25°C - +40°C (-13°F - 113°F)	-25°C - +40°C (-13°F - 113°F)	-40°C - +60°C (-13°F - 113°F)

Dimming	20W	40W	60W
Min. Dimming Level:	10%	10%	10%

Protection	20W	40W	60W
Over Voltage Protection:	Hiccup	Hiccup	Hiccup
Over Current Protection:	Hiccup	Hiccup	Hiccup
Short Circuit Protection:	Hiccup	Hiccup	Hiccup

Mechanical Housing	20W	40W	60W
Connector Type:	14 - 26 AWG	14 - 26 AWG	14 - 26 AWG
Length:	6.10" (154.94mm)	7.00" (177.8mm)	7.00" (177.8mm)
Width:	2.12" (53.85mm)	2.40" (60.96mm)	2.40" (60.96mm)
Height:	0.78" (19.81mm)	0.94" (23.88mm)	0.94" (23.88mm)
Weight:	7oz (198g)	11oz (312g)	11oz (312g)
Housing Material:	ABS	ABS	ABS
Housing Color:	Blue	Blue	Blue
Mounting:	2 half-hole flange mounts	2 half-hole flange mounts	2 half-hole flange mounts

Approval Markings	20W	40W	60W
Certificates/Approval Signs:	ETL Listed	ETL Listed	ETL Listed

LINDRIVE SERIES

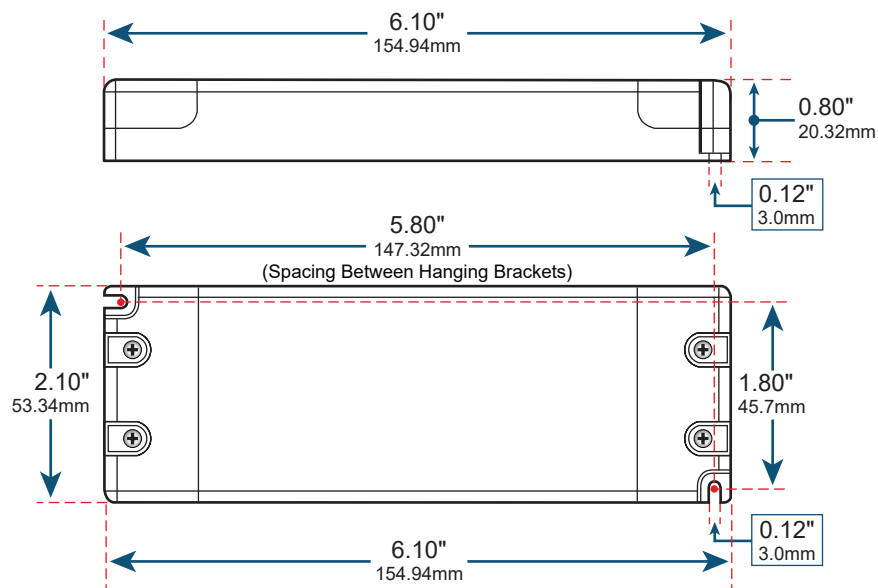
Constant Voltage LED Driver

Phase-Cut Dimmable

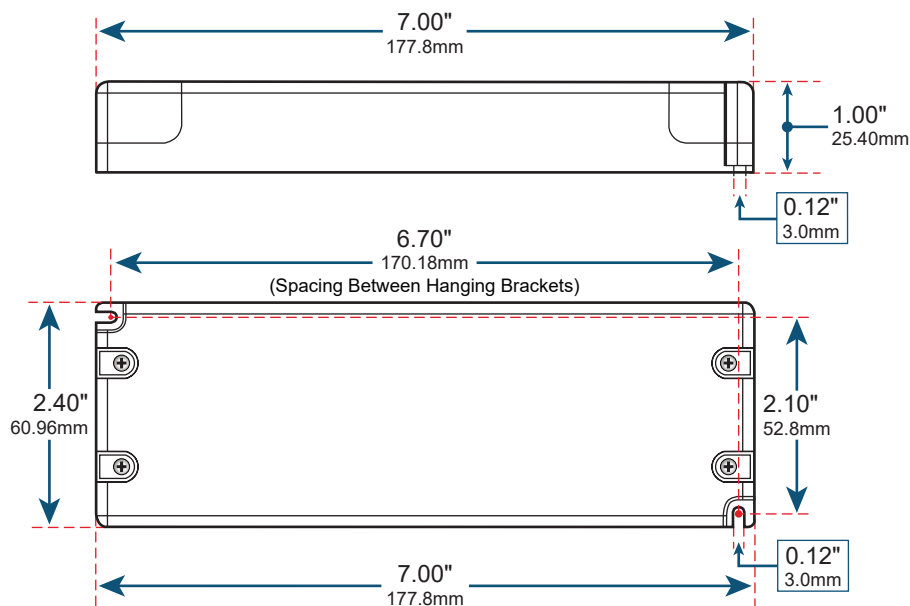
Mechanical Diagrams

(Drawings not to scale)

20W Single Channel Driver



40W Single Channel Driver



LINDRIVE SERIES

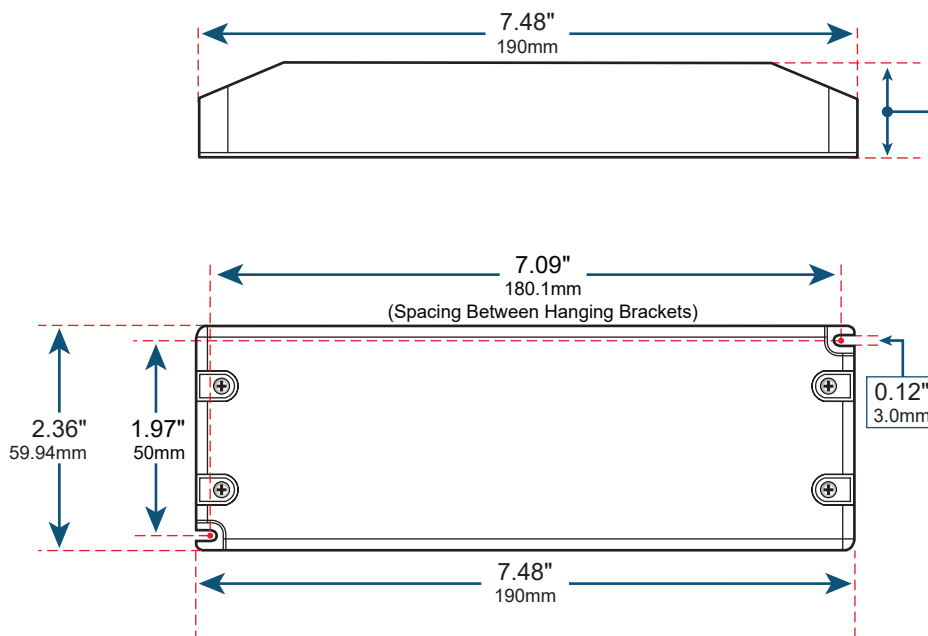
Constant Voltage LED Driver

Phase-Cut Dimmable

Mechanical Diagram

(Drawing not to scale)

60W Single Channel Driver



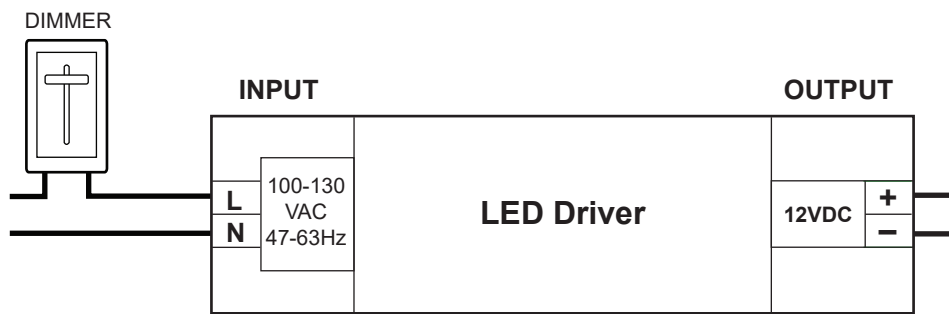
LINDRIVE SERIES

Constant Voltage LED Driver

Phase-Cut Dimmable

Wiring Diagrams

12VDC OUTPUT



24VDC OUTPUT

