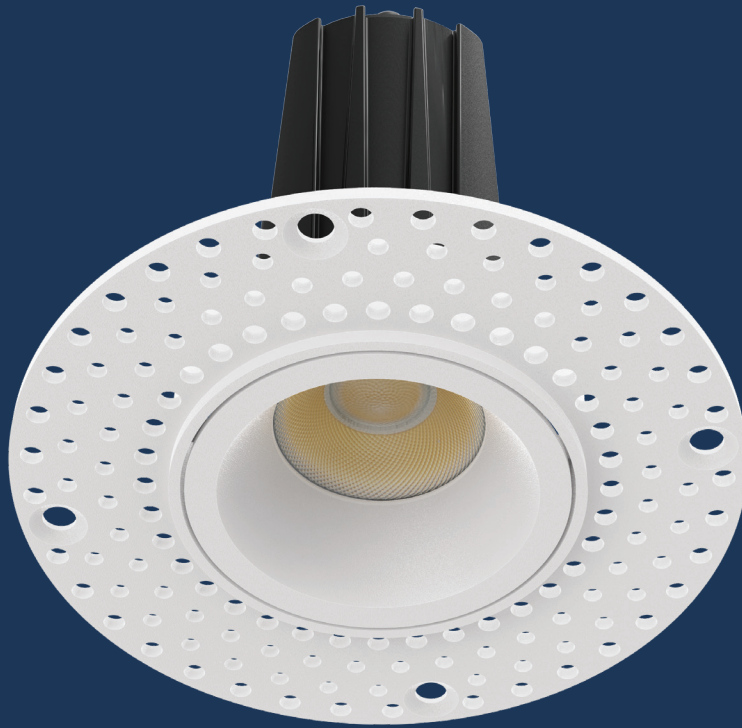


# LUXRITE®

## LED CANLESS - SPOTLIGHT TRIMLESS

### RALEIGH COLLECTION

# 7"



**LR24916**  
LED/TLMD1/5CCT/RD/WT



**LR24917**  
TLMD1HO/5CCT/RD/WT



HIGH  
OUTPUT



|              |                           |
|--------------|---------------------------|
| APERTURE     | 1"                        |
| DISTRIBUTION | FIXED                     |
| APPLICATION  | NEW CONSTRUCTION/TRIMLESS |

## ELECTRICAL

|                                       |                  |
|---------------------------------------|------------------|
| POWER                                 | LR24916: 9W      |
|                                       | LR24917: 12W     |
| INPUT VOLTS                           | 120V             |
| INPUT CURRENT                         | LR24916: 70mA    |
|                                       | LR24917: 120mA   |
| FREQUENCY                             | 60Hz             |
| DIMMING TYPE                          | TRIAC            |
| DIMMING RANGE                         | 10-100%          |
| FEED WIRE GAUGE                       | 14AWG            |
| BREAKER SPECIFICATION<br>*(15A @120V) | LR24916: 171pcs* |
|                                       | LR24917: 99pcs*  |

\*Mathematically estimated value. Actual capacity may vary by breaker type and installation environment.

## PHOTOMETRIC

|            |                               |
|------------|-------------------------------|
| COLOR CCT  | 2700K/3000K/3500K/4000K/5000K |
| CRI        | 80                            |
| LUMEN      | LR24916: 500lm                |
|            | LR24917: 1000lm               |
| EFFICACY   | LR24916: 78lm/w               |
|            | LR24917: 83lm/w               |
| BEAM ANGLE | 38°                           |

## CERTIFICATIONS & SAFETY

|                 |                  |
|-----------------|------------------|
| LR24916         | ETL, ENERGY STAR |
| LR24917         | ETL              |
| WET LOCATON     | YES              |
| IC RATED        | YES              |
| AIR TIGHT       | NO               |
| OPERATING TEMP. | -4°F to 104°F    |
| COST/YR         | LR24916: \$0.84  |
|                 | LR24917: \$1.44  |
| WARRANTY        | 5 YR             |

## MATERIAL & APPLICATION

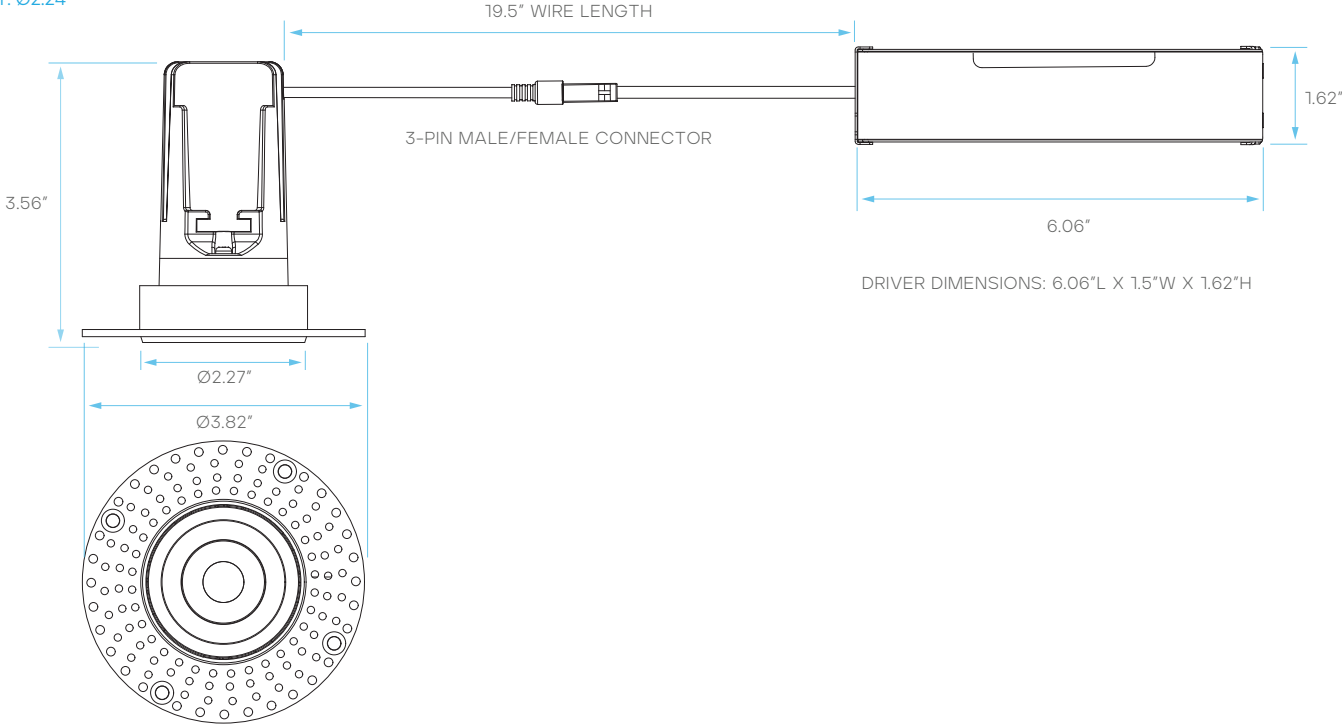
|                     |                         |
|---------------------|-------------------------|
| HEAT SINK           | DIE-CASE ALUMINUM       |
| TRIM                | ALUMINUM                |
| LENS                | ACRYLIC                 |
| CUTOUT              | LR24916: Ø2.24"         |
|                     | LR24917: Ø2.36"         |
| MOUNTING TYPE       | TRIMLESS                |
| AREA OF APPLICATION | RESIDENTIAL, COMMERCIAL |
| CEILING TYPE        | DRYWALL, WOOD           |

## DRIVER

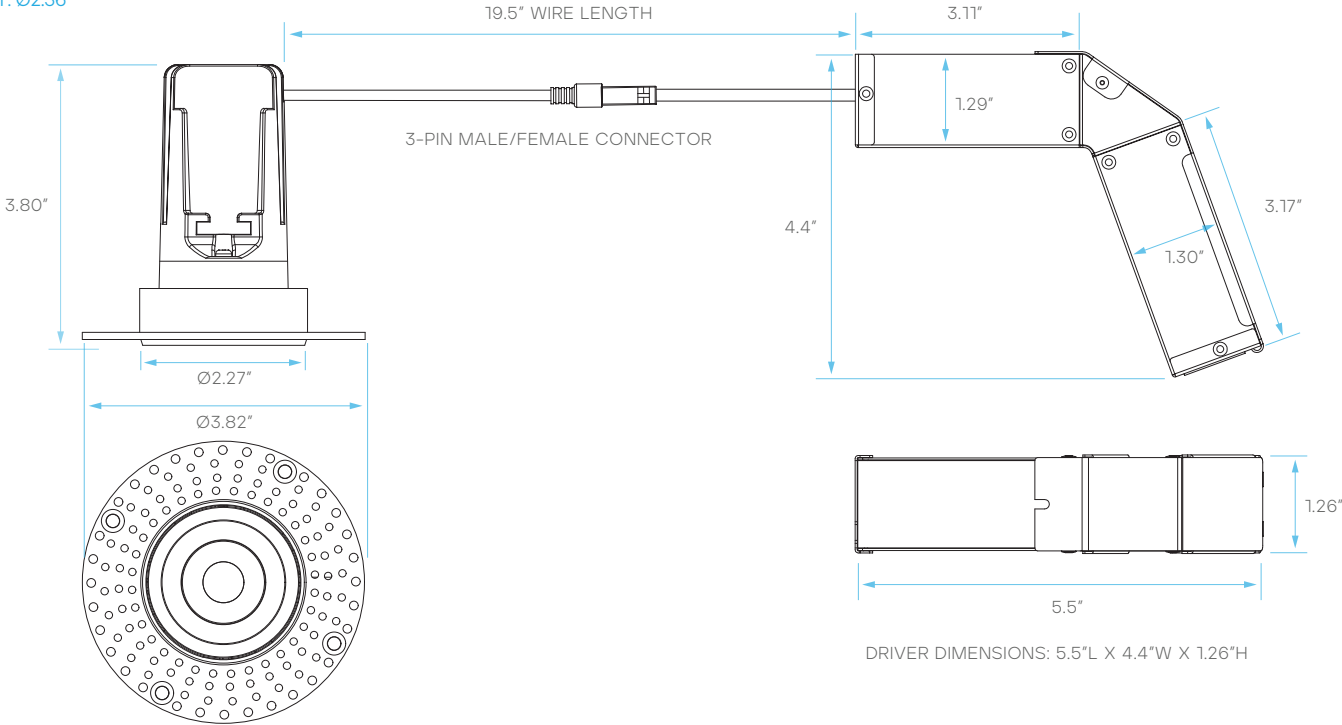
|                           | POWER | INPUT VOLTS | INPUT CURRENT | FREQUENCY | INPUT POWER | OUTPUT VOLTAGE | DIMENSIONS              | KNOCKOUTS |
|---------------------------|-------|-------------|---------------|-----------|-------------|----------------|-------------------------|-----------|
| LR24916 - INCLUDED DRIVER | 9     | 120V        | 70mA          | 60Hz      | 9W max      | 36V DC         | 6.06"L X 1.5"W X 1.62"H | 2         |
| LR24917 - INCLUDED DRIVER | 12    | 120V        | 120mA         | 60Hz      | 12W max     | 36V DC         | 5.5"L X 4.4"W X 1.26"H  | 1         |

## DIMENSIONS

LR24916 MODULE + MESH  
CUTOUT: Ø2.24"



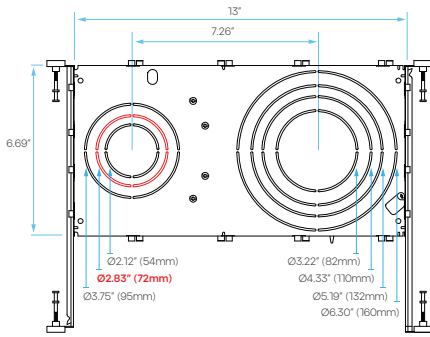
LR24917 MODULE + MESH  
CUTOUT: Ø2.36"



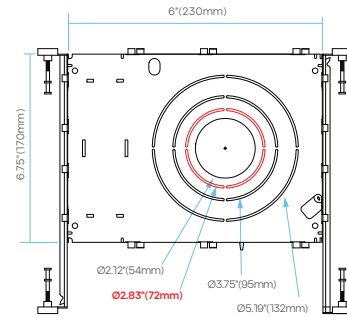
## PLATE COMPATIBILITY\*

\*SOLD SEPARATELY

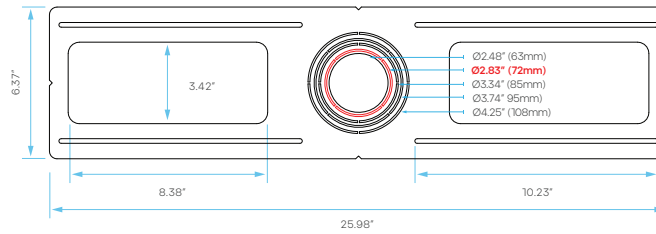
**LR41010  
KNOCKOUT  
L1**



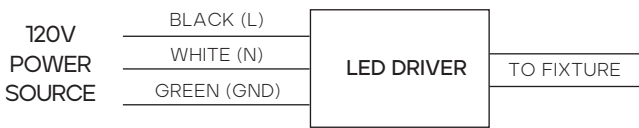
**LR41004  
KNOCKOUT  
1**



**LR41011  
KNOCKOUT  
1**



## WIRING DIAGRAM



## SUGGESTED COMPATIBLE DIMMER\*

|                |               |
|----------------|---------------|
| LUTRON         | CTCL-153P     |
|                | DVCL-153PDH   |
|                | DVCL-153P     |
| LEVITON        | 6672          |
|                | 6674          |
| PASS & SEYMOUR | HCL453PTCCCV6 |

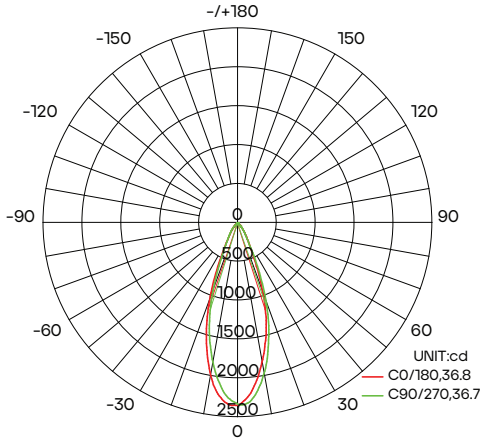
\*Dimmer performance may vary based on load, wiring, and installation conditions. Inclusion on this chart does not guarantee compatibility for every installation, and omission does not indicate incompatibility. Refer to the dimmer manufacturer's installation instructions and verify minimum load requirements to avoid field issues.

## PACKAGING

| MODEL   | STYLE                     | INNER BOX DIMENSIONS  | MASTER CARTON DIMENSIONS | CASE |
|---------|---------------------------|-----------------------|--------------------------|------|
| LR24916 | INNER BOX + MASTER CARTON | 5.52" X 4.05" X 5.39" | 17.52" X 12" X 7.28"     | 12   |
| LR24917 | INNER BOX + MASTER CARTON | 8.46" X 5.70" X 2.16" | 21.06" X 11.81" X 11.41" | 12   |

Luxrite® Luxiflow® tool is for informational purposes only, it is not intended to provide lighting or electrical advise.

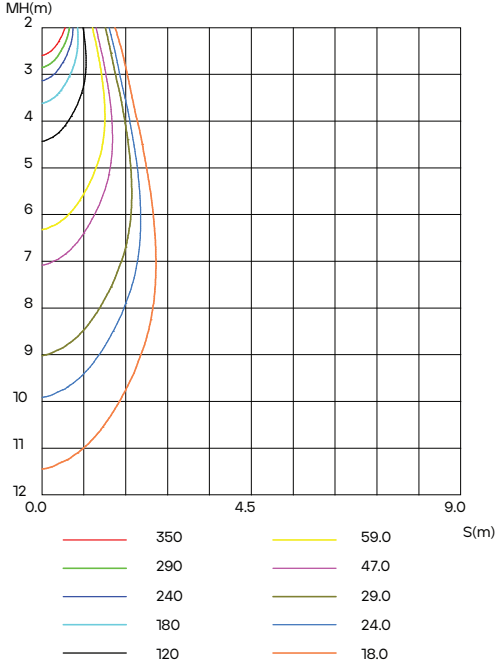
LUMINOUS INTENSITY DISTRIBUTION DIAGRAM



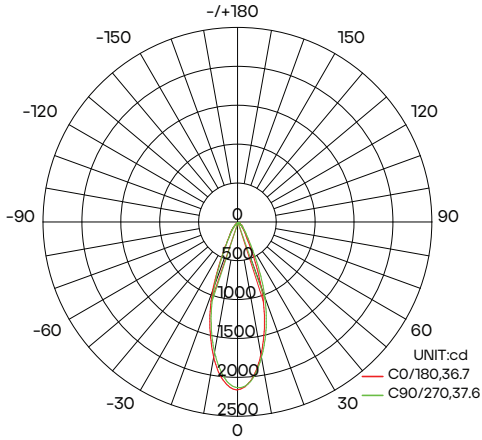
AVERAGE BEAM ANGLE(50%): 36.8 DEG

\*DIAGRAM SHOWING LR24916 AT 2700K

CO PLANE ISOLUX DIAGRAM (UNIT: lx)



LUMINOUS INTENSITY DISTRIBUTION DIAGRAM



AVERAGE BEAM ANGLE(50%): 37.2 DEG

\*DIAGRAM SHOWING LR24917 AT 2700K

CO PLANE ISOLUX DIAGRAM (UNIT:lx/klm)

