

KT-EC-TP2-XX3RGW-SU

EXIT COMBO

INSTALLATION INSTRUCTIONS

PLEASE FIND A QUALIFIED ELECTRICIAN FOR INSTALLATION. Please read the instructions before you install and use the fixture.

SAFETY AND ELECTRICAL PARAMETERS

WARNING:

- FAILURE TO FOLLOW THESE INSTRUCTIONS AND WARNINGS MAY RESULT IN DEATH, SERIOUS INJURY OR SIGNIFICANT PROPERTY DAMAGE. For your protection, read and follow these warnings and instructions carefully before installing or maintaining this equipment. These instructions do not attempt to cover all installation and maintenance situations.
- RISK OF ELECTRIC SHOCK – NEVER CONNECT TO, DISCONNECT FROM, OR SERVICE WHILE EQUIPMENT IS ENERGIZED.
- RISK OF FIRE. Lamps are hot. Keep combustible material away from hot parts. Observe warnings, recommendations and restrictions on lamp operation and maintenance. Make sure lamps are correctly installed.

CAUTION:

- The battery in this unit may not be fully charged. After electricity is connected to unit, let battery charge for at least 24 hours, then normal operation of this unit should take effect.

IMPORTANT SAFEGUARDS:

When using electrical equipment, basic safety precautions should always be followed, including:

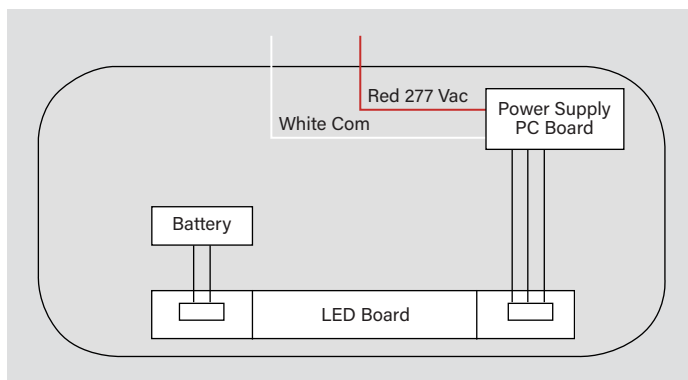
- Do not use outdoors. Suitable for use in 32°F–104°F (0°C–40°C) indoor damp locations.
- Consult local building code for approved wiring and installation.
- Disconnect AC power before servicing and installation.
- Do not mount near gas or electric heaters.
- Do not use this equipment for anything other than its intended use.
- The use of accessory equipment not recommended by the manufacturer will void product listing and warranty and may cause an unsafe condition.
- Any service on this equipment should be performed by qualified personnel only.
- Equipment should be mounted in locations and at heights where it will not be subject to tampering by unauthorized personnel.
- Use caution when servicing batteries.
- Cap unused wires with enclosed wire nuts or other approved method.
- Make sure wire terminations are secure and leads are properly tucked in appropriate wire channels.

IMPORTANT CODE COMPLIANCE INFORMATION:

In accordance with NFPA 101 (current Life Safety Code), documented testing of your emergency lighting system must be tested monthly for a minimum of 30 seconds and annually for 90 minutes. Refer to your local codes for any additional requirements that may apply.

WIRING DIAGRAMS

GENERAL WIRING DIAGRAM

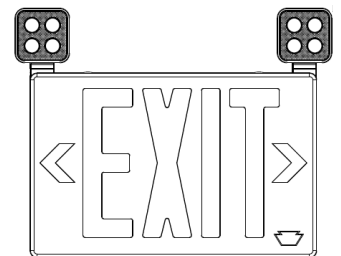


COMPONENTS INCLUDED IN KIT

Part
1x LED Exit Sign Housing
2x EXIT Sign Facing
1x Solid Back Facing
2x Red Diffuser
2x Green Diffuser
1x Rechargeable Battery
1x Canopy for Top & Side Mounting
1x Junction Box Mounting Plate
1x Assembly Hardware & Connection Accessory Kit

Caution: Before installing, ensure that AC power to the fixture is off.

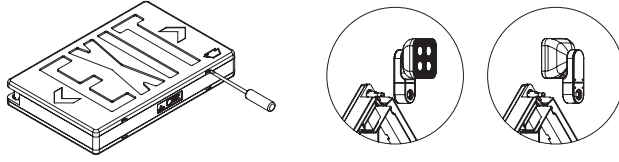
Caution: The electrical rating of this product is 120–277V. Installer must confirm that there is 120–277V at the fixture before installation.



INSTALLATION INSTRUCTIONS

ASSEMBLY LAMP HEADS

1. Open front cover with a flat screwdriver.
2. Snap lamp head on the two corners of the frame, two lamp heads are universal for corner installation.
3. Route the wiring for each lamp head through the slot in the housing and make connection.



RED/GREEN SWITCH

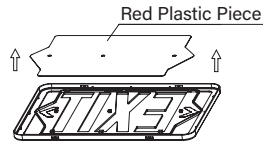


FIGURE A

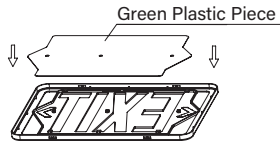
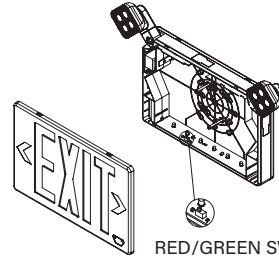


FIGURE B



RED/GREEN SWITCH

FIGURE C

BACK MOUNT

1. Remove EXIT stencil faceplate from housing. Remove RED diffuser from faceplate (see Fig. A). Set aside. The second EXIT stencil faceplate will not be used.
2. Drill or knock out appropriate knockouts on back plate to fit junction box mounting points.
3. Drill or knock out center hole in back plate for supply wire leads.
4. Route EXIT sign input wires through center hole of the back plate and make wiring connection. See Wiring Diagram.
5. Push wire connection into the junction box. Secure mounting plate to junction box (hardware not included).
6. Secure back plate to steel mounting plate.
7. Toggle the switch to select GREEN, if applicable (see Fig. C).
8. Connect battery.
9. Remove knockout chevron/arrow(s) on faceplate, as needed. Reinsert RED diffuser to faceplate (see Fig. A) (or GREEN if applicable, see Fig. B). Secure EXIT stencil faceplate back onto housing.
10. Apply continuous AC power, LED indicator will be RED.
11. Press "TEST" button to check operation. See OPERATION (BATTERY BACKUP) for testing procedures.

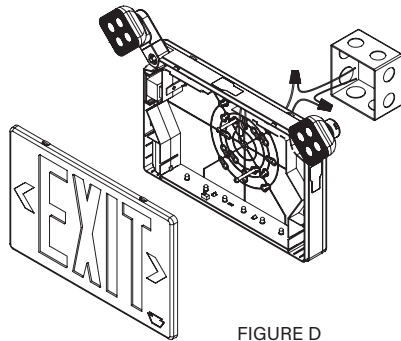


FIGURE D

INSTALLATION INSTRUCTIONS

TOP OR SIDE MOUNT

1. Remove EXIT stencil faceplate from housing. Remove RED lens from faceplate (see Fig. A). Set aside.
2. Place screws (provided) in holes on the canopy
3. Remove the desired mounting hole plug located on the frame of the sign. For top mount, hole plug will be located on the top of the housing. For side mount, hole plug will be located on the side of the housing.
4. Place canopy tab through the mounting hole of the housing until the flat portion of the canopy is touching the housing frame. Lock the canopy into place by sliding the canopy, without turning, toward smaller end of the mounting hole until the tab is fully engaged and locked into place. Once canopy is in the locked position there will not be any side-to-side movement of the canopy.
5. Route EXIT sign input wires through canopy and through metal mounting plate.
6. Make wiring connection. See Wiring Diagram.
7. Push wire connections into the junction box. Secure mounting plate to junction box (hardware not included).
8. Secure canopy to the steel mounting plate with screws from step 2.
9. Toggle the switch to select GREEN, if applicable (see Fig. C).
10. Connect battery.
11. Remove knockout chevron/arrow(s) on faceplate(s), as needed. Reinsert RED diffuser to faceplate(s) (see Fig. A) or GREEN if applicable, (see Fig. B). Secure EXIT stencil faceplate back onto housing. For double sided sign, replace back plate with second EXIT stencil faceplate.
12. Apply continuous AC power, LED indicator will be RED.
13. Press "TEST" button to check operation. See OPERATION (BATTERY BACKUP) for testing procedures.

FIGURE E

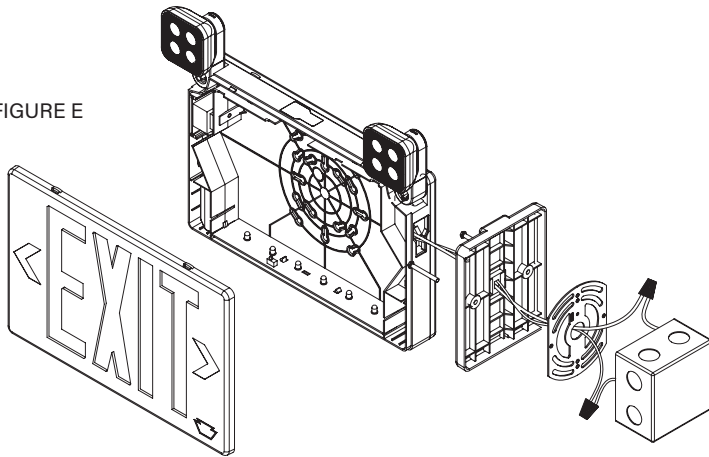
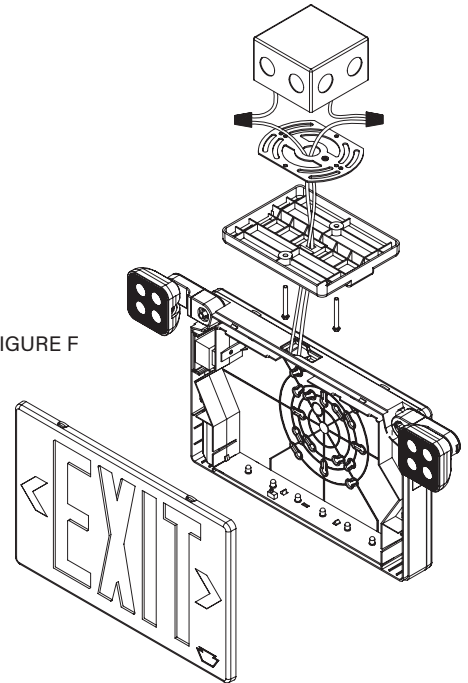


FIGURE F



OPERATION (BATTERY BACKUP)

1. Apply AC power to the unit. The LED indicator will be RED.
2. After the battery has been left to charge for 24 hours, test the unit by pushing the switch. The LED Indicator turns OFF and the sign will remain illuminated.
3. When the switch is released, the LED indicator turns back to RED and the sign will remain illuminated.

MAINTENANCE

CAUTION: Always turn off AC power to the equipment before servicing. Servicing should be performed only by a qualified service technician. Use only MANUFACTURER supplied replacement parts.

BATTERY: The battery supplied requires no maintenance. However, it should be tested periodically and replaced when it no longer operates the connected sign for the duration of a 30 second or 90 minute test. The battery supplied in this sign has a typical life of 5 years when used in a normal ambient temperature of 72°F.