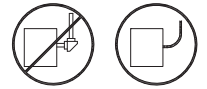


MGR Series

Reduced size Battery Unit

Use flexible conduit only





WARNING:
Risk of Shock.
Disconnect Power before Installation.





IMPORTANT SAFEGUARDS

When using electrical equipment, basic safety precautions should always be followed including the following:

READ AND FOLLOW ALL SAFETY INSTRUCTIONS

1. All servicing should be performed by qualified service personnel.
2. All unused wires must be capped to prevent shorting.
3. Do not let power supply cords touch hot surfaces.
4. Do not mount near gas or electric heaters.
5. Use caution when handling batteries. Battery acid can cause burns to the skin and eyes. If acid is spilled on the skin or eyes, flush affected area with fresh water and contact a physician immediately.
6. Equipment should be mounted in locations and at heights where it will not readily be subjected to tampering by unauthorized personnel.
7. The use of accessory equipment not recommended by the manufacturer may cause an unsafe condition.
8. Do not use this equipment for other than intended use.
9. Unit to be installed only as per configuration described in this instruction manual.

 **CAUTION:** For models including battery support plate (3) it is critical to ensure that the battery bracket is properly screwed to the battery support plate (see Fig. 1). Failure to do so can cause serious injury.

 **WARNING:** Velcro straps are a temporary means to support the batteries. You must always reinstall the battery retaining bracket(12) if supplied.

SAVE THESE INSTRUCTIONS

Installation Instructions

1. Turn off unswitched AC power.
2. Route AC unswitched circuit of rated voltage into electrical box and leave 6" of wire length.
3. Lay unit on a flat surface face up. Remove lenses (7) (See Fig. 1) and leave lamps detached from the housing.
4. Remove the front cover (1).
5. Remove the battery retaining bracket (See Fig.2) and battery(ies) and note how they are connected to reproduce this upon re-assembly.
6. Determine the mounting position (wall or ceiling).

Wall Mounting

1. Knock-out the proper hole pattern in the housing (4) to mount to a standard junction box (9) (See Fig. 2) according to the required orientation. To do so, it is recommended to place the unit on a flat solid surface with the back of the housing facing the surface. Prop up the unit on a roll of tape or other solid means to facilitate the removal of the knock-outs. Place the tip of a flat head screwdriver in the groove and knock out each detail with the help of a hammer (See Fig. 2).
2. Remove bubble wrap and install lamp assembly (6) (See Fig. 1).
3. Install means to anchor unit in line with "Wall anchoring points" (see Fig. 2). This is recommended for a more secure installation.

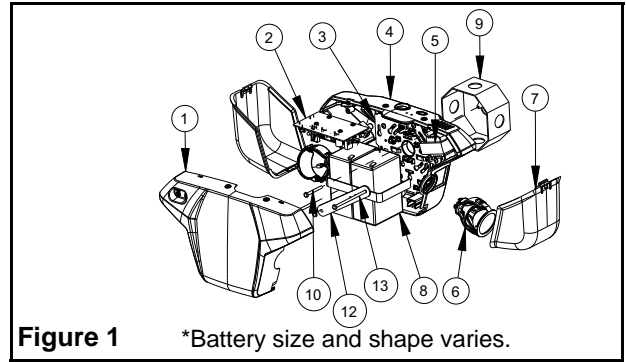


Figure 1 *Battery size and shape varies.

Parts List

- | | |
|--|---|
| 1. Front cover | 9. Junction box (Not supplied) |
| 2. Charger board | 10. Junction box screw 8-32 x 1-1/2" |
| 3. Battery Support plate (only for certain models) | 11. Velcro strap (Depending on model) |
| 4. Housing | 12. Battery retaining bracket |
| 5. Transformer | 13. Battery bracket screws |
| 6. Lamp assembly | 14. Wall mounting screws (not provided) |
| 7. Lens | |
| 8. Battery (1 or 2 depending on models) | |

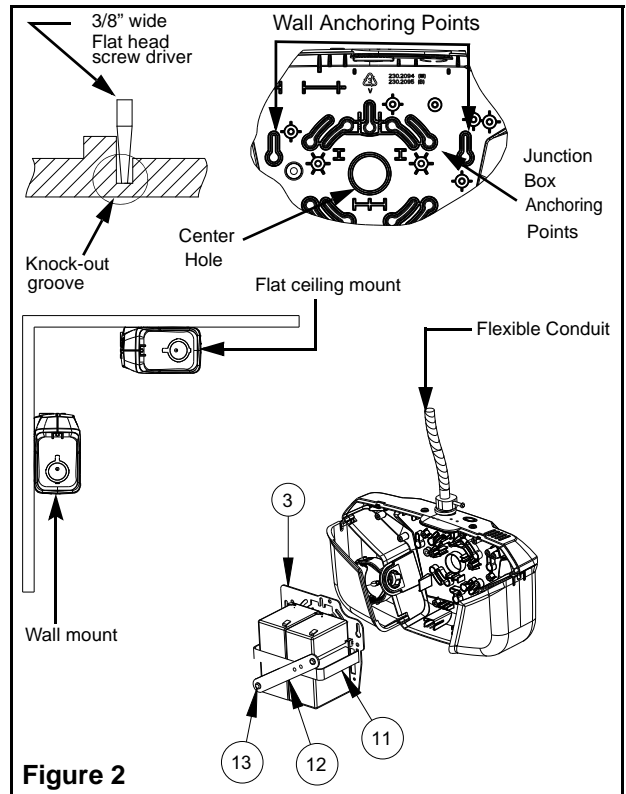



Figure 2



IMPORTANT: Install fixture/lamp type combination no higher than the maximum mounting heights as stipulated in the "Lamp Mounting Height Cross-reference Table" (P/N 750.1924). Refer to "Technical Information" section of our website.

4. Install junction box screws until they protrude 1" minimum from the wall.
5. Feed the AC supply leads and wires from remotes (if applicable).
6. Mount housing to the junction box using the junction box screws (10). You may choose to secure the housing further using the wall anchoring points and wall mounting screws (14).
7. Make the proper connections: our system can accept input voltages of 120 VAC or 277 VAC. Therefore, connect the black (120 VAC) or orange (277 VAC) and white (common) leads to the building utility. Connect the green wire to the ground. Refer to figure 3.
8. Reinstall the battery(ies) by connecting the wires first before securing each battery in the housing per their original configuration. Secure the Velcro strap and battery bracket with screws into brass inserts to a torque of 3in*lb (by hand)(fig.3). Connect the battery to the charger board.
9. For units with remote capacity, connect the remote heads to L+ and to L- (see fig.3).

Calculation of total allowable remote capacity of unit:

Maximum remote lamp power = unit capacity minus the total power of lamps included with unit.

Important: Do not surpass the rated maximum capacity of the unit. Lighting duration will not respect norms.

10. Adjust the lamps in an appropriate position.
11. Put the unit cover back in place.
12. Reinstall the lenses.
13. Energize AC.

Horizontal Ceiling Mounting (optional)

Follow same steps as outlined for Wall Mounting. No canopy is required.(See Fig.2.)

CAUTION: DO NOT install unit to the ceiling unless its model number includes the suffix "-CM". Secure the housing using the wall anchoring points and wall mounting screws (14).

Pendant Mounting

Refer to Addendum for Pendant Mounting (750.1978).

Conduit Entry Connection (Flexible conduit only)

Remove knock-out for the conduit entry located on the top of the housing (See Fig. 2). Secure unit to the wall following "Wall mounting" or "Ceiling mounting" instructions and make appropriate connections. Isolate wires from building to avoid contact with the transformer.

Manual Testing

Press test switch. On release, external green LED will illuminate and automatic charger will restore battery to full charge.

Automatic Testing

The unit will perform an automatic self-test of 1 minute every month, 30 minutes every 6 month and a 90 minute self-test once a year.

Automatic Diagnostics

The diagnostic function uses an external LED Status indicator. Service is required if the LED blinks indicating that an alarm condition is detected (See Fig. 4). For more information refer to the website address indicated on the unit label located inside the unit. For more information about the AD function, please consult the web site for this user manual: 750.1548"AD with Single LED Status User Manual"

For Nexus models, refer to "Nexus addendum (750.1976)" and for any additional information, go to www.Nexus-System.com.

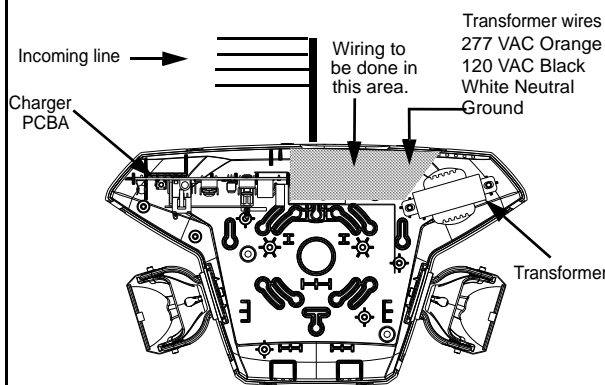
If you wish to make the unit "audible" or "non-audible" simply re-orient the jumper "JP5" as shown in figure 4.

Maintenance

None required. If AC supply to the unit is to be disconnected for 72 hours or more, the battery must be disconnected.

Warranty: For the complete warranty information, please refer to the landing page of our website (<http://www.lightalarms.com>).

Flexible conduit or Pendant mount wire configuration



CAUTION: Route entry wires to avoid contact with the transformer, battery terminals and charger PCBA.

Wall or ceiling mount wire configuration

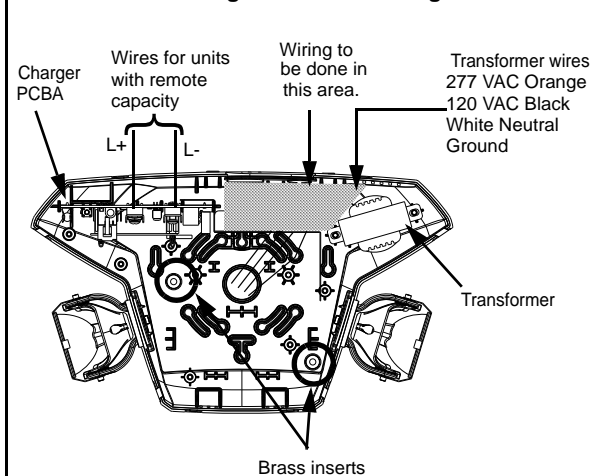
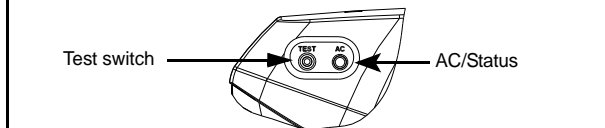
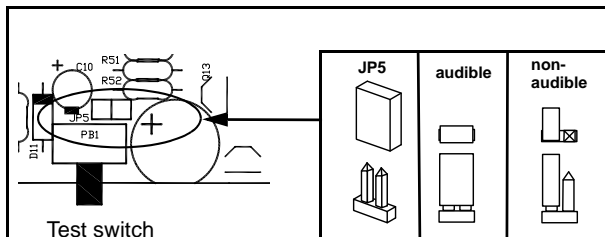


Figure 3



0 Green	Steady	AC On
-0 Green	Blinking	In Test
0 Red	Steady on	Battery Disconnect
-0 Red	Blinking	Battery Failure
0-0 Red	Two Blinks	Charger failure
0-0-0 Red	Three Blinks	Lamp Failure

Figure 4