

CLARISSA

Canopy
SW WD E26

WEPLIGHT
^ COLLECTION



FEATURES

- Designed, handcrafted, and painted by Master Artisans
- Made to order, eliminating waste
- 6 wood stains + 11 colors to mix & match
- Traditional E26 socket or range of LED options. 3000K,3500K, & Warm Dim 3000K, dim to 1800K

HOUSING

- Composed of recycled, locally sourced reconstructed wood veneer
- USA factory assembled shades with some exceptions due to size
- Due to hand-crafted nature, colors may vary from fixture to fixture and from photo

MOUNTING

- Aircraft cable suspension with black or white canopy and with 108" black or white cord, field adjustable
- Clarissa 75: 7.47 lbs.
- Clarissa 85: 8.15 lbs.
- Clarissa A74: 7.36 lbs.
- Clarissa B130: 10.31 lbs.
- Clarissa C140: 15.43 lbs.
- Clarissa D170: 22.04 lbs.

LISTING

- ULus listed to UL1598 (suitable for indoor use and dry locations only)
- cUL listed to CSA C22.2 #250.0

CCT AT LIGHT LEVEL (%LF) FOR WARM DIM LED

%LF	CCT
100%	3000
50%	2800
25%	2300
10%	1900
5%	1800

PROJECT INFORMATION		
JOB NAME		TYPE
ORDERING CODE		

ORDERING CODE

SERIES	WEP	wood shade
TYPE	CLA	clarissa
SIZE	75 85 A74 B130 ¹ C140 ¹ D170 ¹	75 pendant, 1 x light source 85 pendant, 1 x light source A74 pendant, 1 x light source B130 pendant, 2 x light source C140 pendant, 3 x light source D170 pendant, 4 x light source
LIGHT SOURCE	LE26 ² LLED	E26 socket LED, 1000 lm
CCT	30K 35K 3018	3000K, standard white LED 3500K, standard white LED 3000K, dim to 1800K, warm dim LED Not applicable to LE26 option. Do not include in LE26 ordering code.
CRI	90 ³ 95 ⁴	90 CRI, standard white LED 95 CRI, warm dim Not applicable to LE26 option. Do not include in LE26 ordering code.
MOUNTING OPTION	PBK PWH	canopy, black with black cable canopy, white with white cable
OUTER SHADE COLOR	ASH BCH BLU EBY GRN GYO OCH PGR PTB RED ROS TRC WHT WNG YLW LPT VLT	ash beech blue ebony green grey oak ocher pale green petribi red rose teracotta white wenge yellow light petrol violet
INNER SHADE COLOR	ASH BCH BLU EBY GRN GYO OCH PGR PTB RED ROS TRC WHT WNG YLW LPT VLT	ash beech blue ebony green grey oak ocher pale green petribi red rose teracotta white wenge yellow light petrol violet

ORDERING CODE

Follow the steps to specify your fixture, example:
WEP - CLA - 85 - LLED - 3018 - 95 - PBK - EBY - RED

NOTES

1. Assembly required.
2. 15W E26 socket available, use base option code LE26-15.
3. 90 CRI for standard white only.
4. 95 CRI for warm dimming only.

COLOR OPTIONS



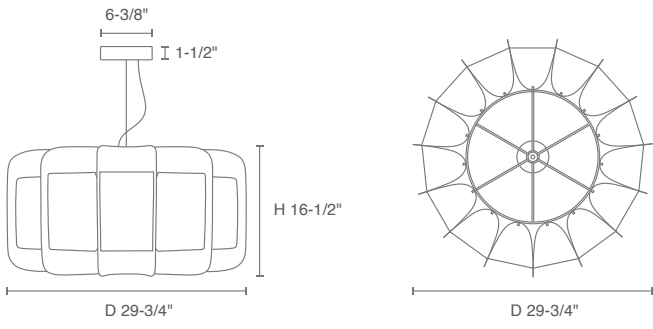
PROJECT INFORMATION		
JOB NAME		TYPE
ORDERING CODE		

LIGHT SOURCE

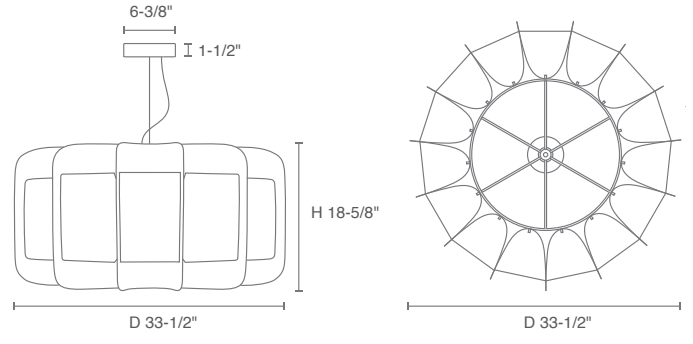
Light Source	LLED - Static White LED	LLED - Warm Dim LED	LE26 - E26 Socket
Performance			
LED	Cree CMT 1420	Luminus CDM-9	Lamp Dependant
Lumens	1150 lm	850 lm	
CCT	3000K or 3500K	3000K to 1800K	
SDCM	2-Step MacAdam Ellipse	3-Step MacAdam Ellipse	
CRI	>90	>95	
Lumen Maintenance	L ₉₀ > 41,500 hours	L ₇₀ > 54,000 hours	
Technical Specs			
Socket Listing	Integrated LED module ETLus Listed to UL1598 (Suitable for dry locations only) cETL Listed to CSA C22.2 #250.0	Integrated LED module ETLus Listed to UL1598 (Suitable for dry locations only) cETL Listed to CSA C22.2 #250.0	Medium E26 base socket ETLus Listed to UL1598 (Suitable for dry locations only) cETL Listed to CSA C22.2 #250.0
Mounting			
Canopy	120-277Vac, 50/60Hz input 14.3W, 14.9VA Tri-mode dimming (Triac, ELV and 0-10V)	120-277Vac, 50/60Hz input 15.6W, 16.1VA Tri-mode dimming (Triac, ELV and 0-10V)	120Vac input 100W, 100VA (max 100W lamp) Dimmable (with compatible lamp)
Warranty			
	5 year limited fixture warranty	5 year limited fixture warranty	1 year limited fixture warranty

PROJECT INFORMATION		
JOB NAME		TYPE
ORDERING CODE		

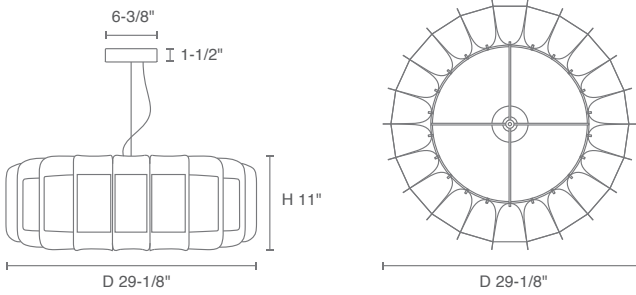
MOUNTING OPTIONS



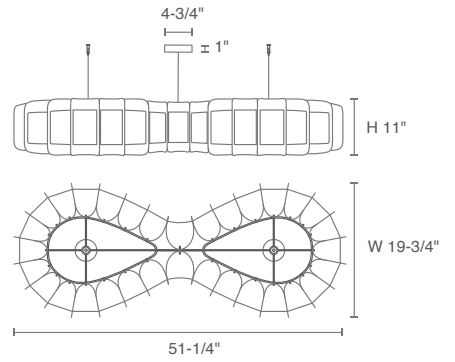
CLARISSA 75



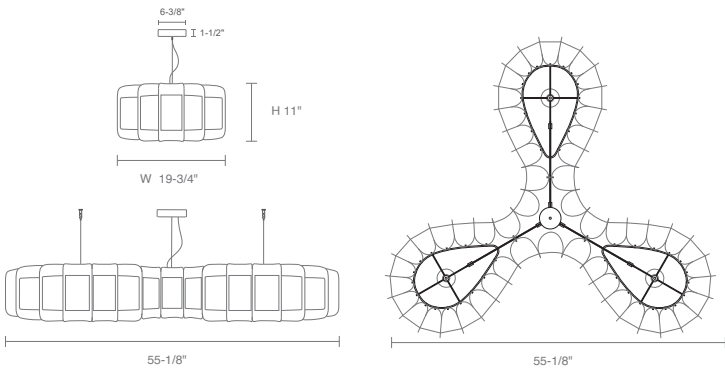
CLARISSA 85



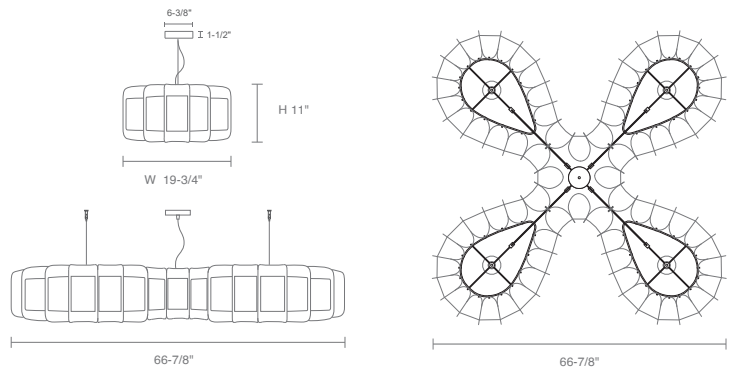
CLARISSA A74



CLARISSA B130



CLARISSA C140



CLARISSA D170