

# KT-EX-EL1-WH3XL-SU

## EXIT SIGN

### INSTALLATION INSTRUCTIONS

**PLEASE FIND A QUALIFIED ELECTRICIAN FOR INSTALLATION. Please read the instructions before you install and use the fixture.**

#### SAFETY AND ELECTRICAL PARAMETERS

##### WARNING:

- FAILURE TO FOLLOW THESE INSTRUCTIONS AND WARNINGS MAY RESULT IN DEATH, SERIOUS INJURY OR SIGNIFICANT PROPERTY DAMAGE. For your protection, read and follow these warnings and instructions carefully before installing or maintaining this equipment. These instructions do not attempt to cover all installation and maintenance situations.
- RISK OF ELECTRIC SHOCK – NEVER CONNECT TO, DISCONNECT FROM, OR SERVICE WHILE EQUIPMENT IS ENERGIZED.
- RISK OF FIRE. Lamps are hot. Keep combustible material away from hot parts. Observe warnings, recommendations and restrictions on lamp operation and maintenance. Make sure lamps are correctly installed.

##### CAUTION:

- The battery in this unit may not be fully charged. After electricity is connected to unit, let battery charge for at least 24 hours, then normal operation of this unit should take effect.

##### IMPORTANT SAFEGUARDS:

When using electrical equipment, basic safety precautions should always be followed, including:

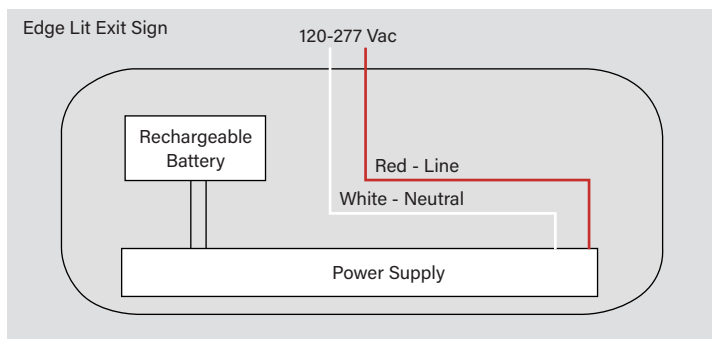
- Do not use outdoors. Suitable for use in 32°F–104°F (0°C–40°C) indoor damp locations.
- Consult local building code for approved wiring and installation.
- Disconnect AC power before servicing and installation.
- Do not mount near gas or electric heaters.
- Do not use this equipment for anything other than its intended use.
- The use of accessory equipment not recommended by the manufacturer will void product listing and warranty and may cause an unsafe condition.
- Any service on this equipment should be performed by qualified personnel only.
- Equipment should be mounted in locations and at heights where it will not be subject to tampering by unauthorized personnel.
- Use caution when servicing batteries.
- Cap unused wires with enclosed wire nuts or other approved method.
- Make sure wire terminations are secure and leads are properly tucked in appropriate wire channels.

##### IMPORTANT CODE COMPLIANCE INFORMATION:

In accordance with NFPA 101 (current Life Safety Code), documented testing of your emergency lighting system must be tested monthly for a minimum of 30 seconds and annually for 90 minutes. Refer to your local codes for any additional requirements that may apply.

#### WIRING DIAGRAMS

##### GENERAL WIRING DIAGRAM



#### COMPONENTS INCLUDED IN KIT

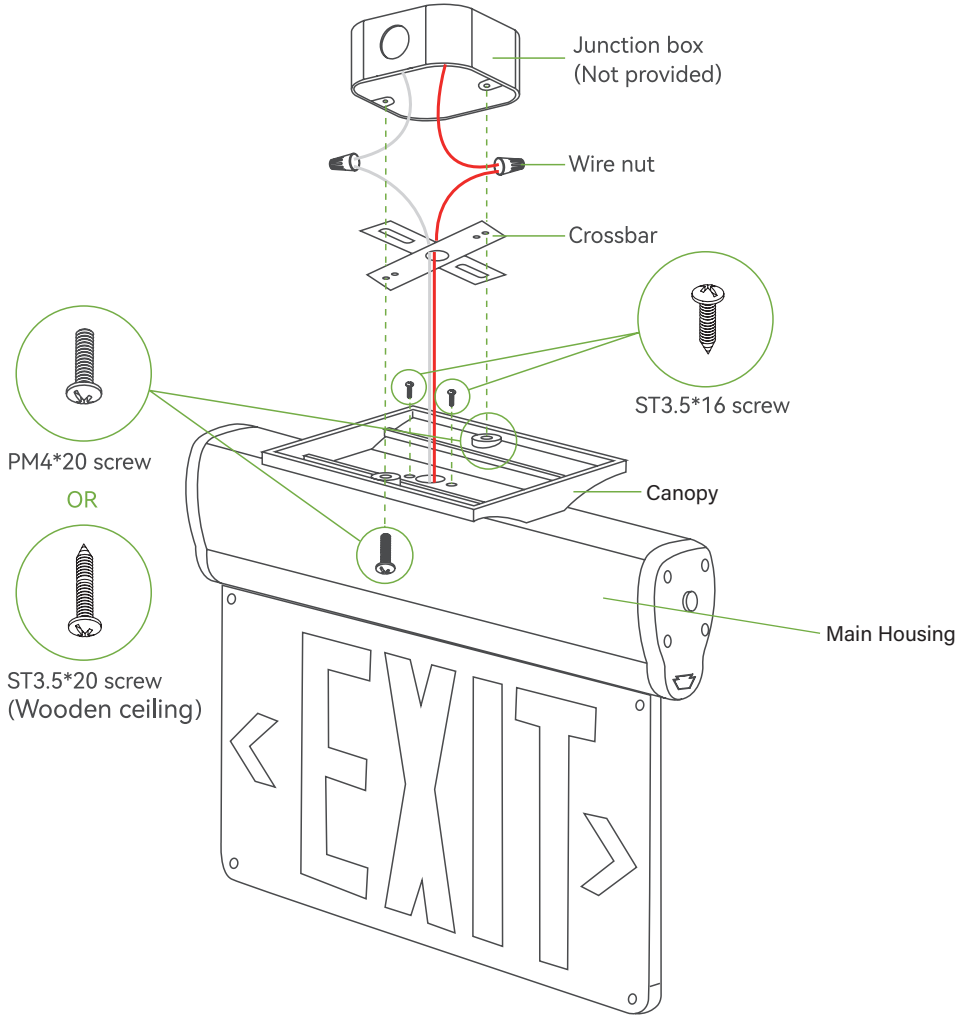
Part
1x LED Exit Sign Housing
1x Acrylic EXIT Panel
1x Mirrored Film
1x Rechargeable Battery
1x Canopy for Back & Side Mounting
1x Crossbar
1x Assembly Hardware & Connection Accessory Kit

**Caution:** Before installing, ensure that AC power to the fixture is off.  
**Caution:** The electrical rating of this product is 120–277V. Installer must confirm that there is 120–277V at the fixture before installation.



## INSTALLATION INSTRUCTIONS

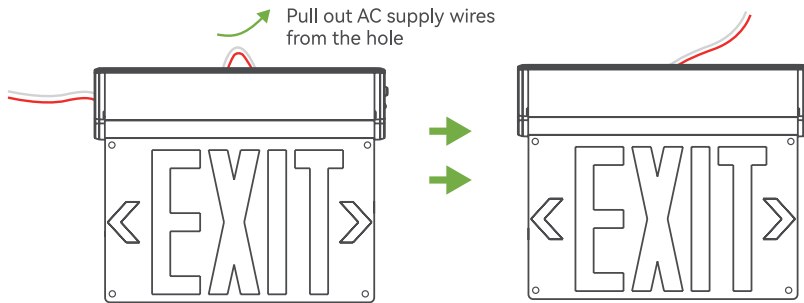
### TOP MOUNT



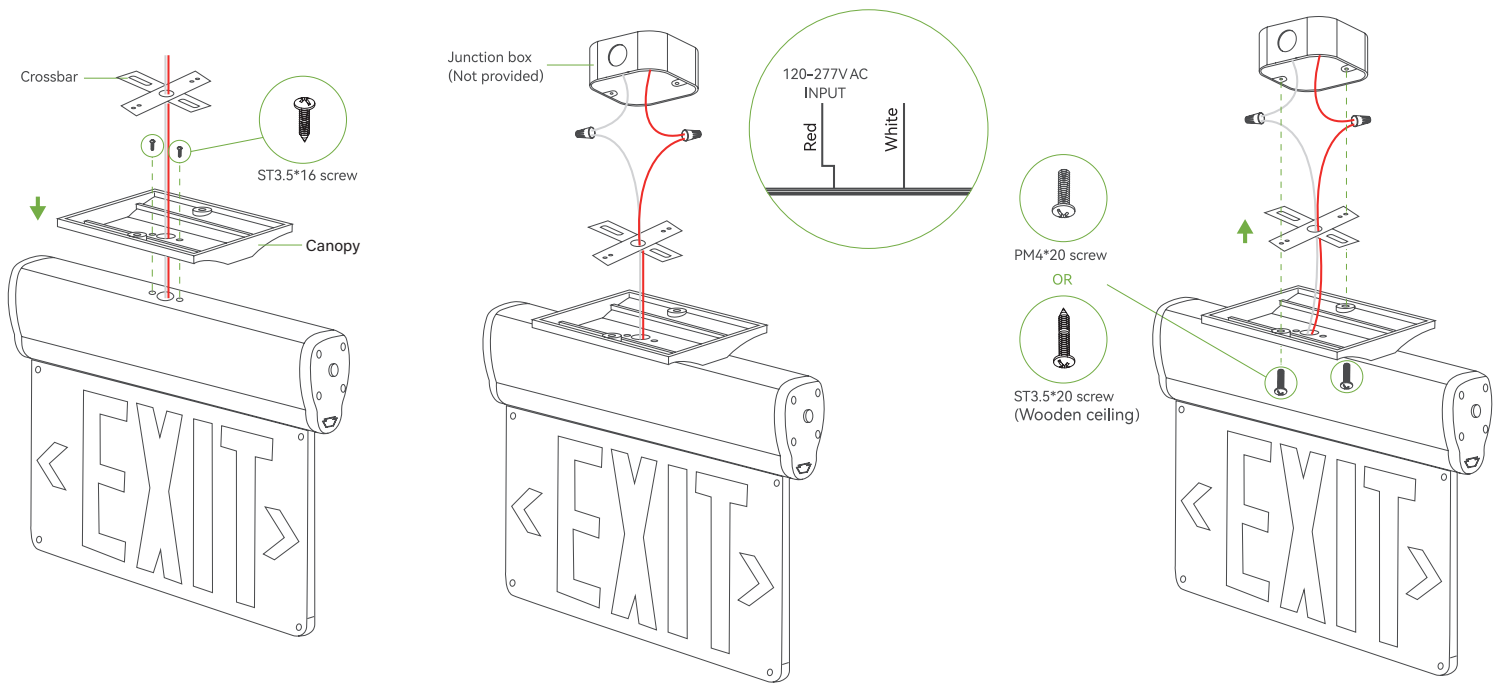
## INSTALLATION INSTRUCTIONS

### TOP MOUNT

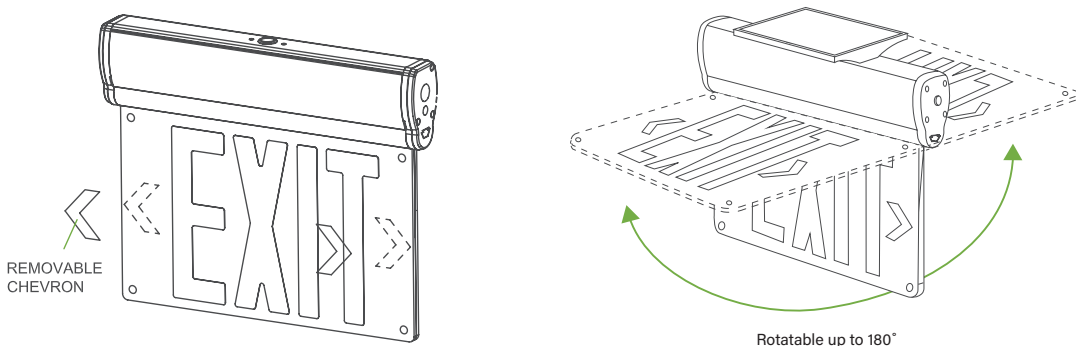
1. Turn off power before installing.
2. Attach the crossbar to the junction box (not included).
3. Remove the black rubber plug from the main housing and pull the AC wires out from hole.



4. Pass the wires through the canopy's central hole. Attach the canopy to the main housing with the ST3.5\*16 screws.
5. Make wiring connection. Connect Red and White wires to incoming 120-277Vac wires. Push wire connections into the junction box.
6. Attach the canopy to the crossbar with the PM4\*20 screws or the ST3.5\*20 screws (Wooden ceiling)



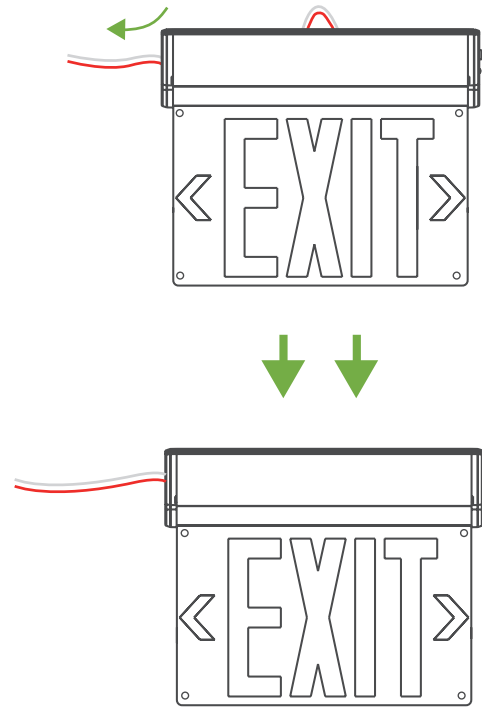
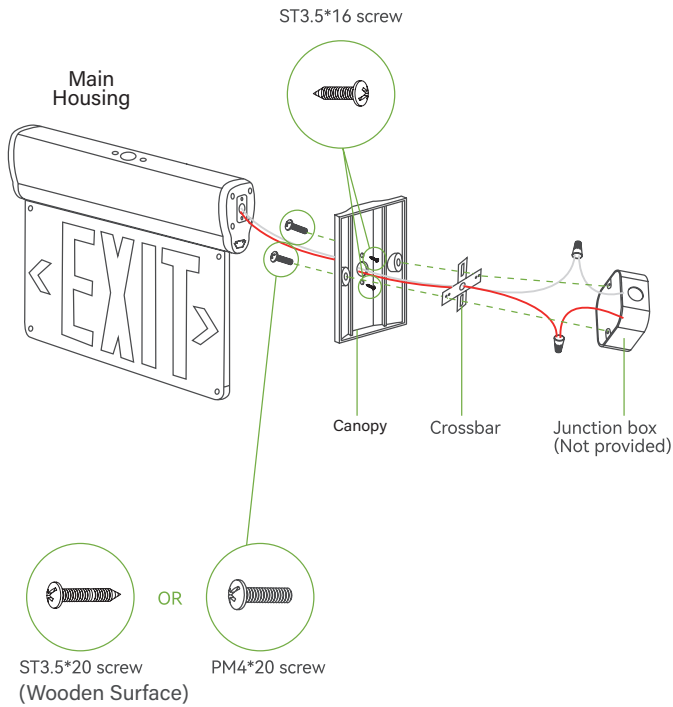
7. Chevrons may be removed as needed by peeling off of panel.
8. The EXIT panel can be rotated up to 180°. Wall mounting can be completed by rotating the canopy 90°.



**INSTALLATION INSTRUCTIONS**

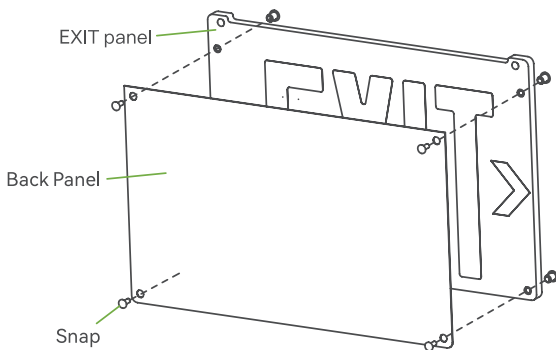
**SIDE MOUNT**

1. Turn off power before installing.
2. Attach the crossbar to the junction box (not included).
3. Remove the main housing's side cover and pull out the AC wires. Detach, then reattach the light panel to change it's direction if necessary.
4. Pass the wires through the center of both the side cover and canopy. Screw the side cover back to the main housing. Attach the canopy to the tightened side cover with the ST3.5\*16 screws.
5. Make wiring connection. Connect Red and White wires to incoming 120-277Vac wires. Push wire connection into the junction box.
6. Attach the canopy to the crossbar with the PM4\*20 screws or the ST3.5\*20 screws (wooden surface).
7. Chevrons may be removed as needed by peeling off of panel.



**SINGLE/DOUBLE FACE SWITCHABLE**

If a single sided panel is desired, remove all 4 snaps (shipped without snaps installed) gently with a tool that will not scratch the sign. Remove clear film off shiny side of back panel and line up back panel with shiny side out. Apply snaps by squeezing them in place in the same orientation. If a double sign is desired, add snaps without back panel.



---

## OPERATION (BATTERY BACKUP)

1. Apply AC power to the unit. The LED indicator will be RED.
  2. After the battery has been left to charge for 24 hours, test the unit by pushing the switch. The LED Indicator turns OFF and the sign will remain illuminated.
  3. When the switch is released, the LED indicator turns back to RED and the sign will remain illuminated.
- 

## MAINTENANCE

**CAUTION:** Always turn off AC power to the equipment before servicing. Servicing should be performed only by a qualified service technician. Use only MANUFACTURER supplied replacement parts.

**BATTERY:** The battery supplied requires no maintenance. However, it should be tested periodically and replaced when it no longer operates the connected sign for the duration of a 30 second or 90 minute test. The battery supplied in this sign has a typical life of 5 years when used in a normal ambient temperature of 72°F.