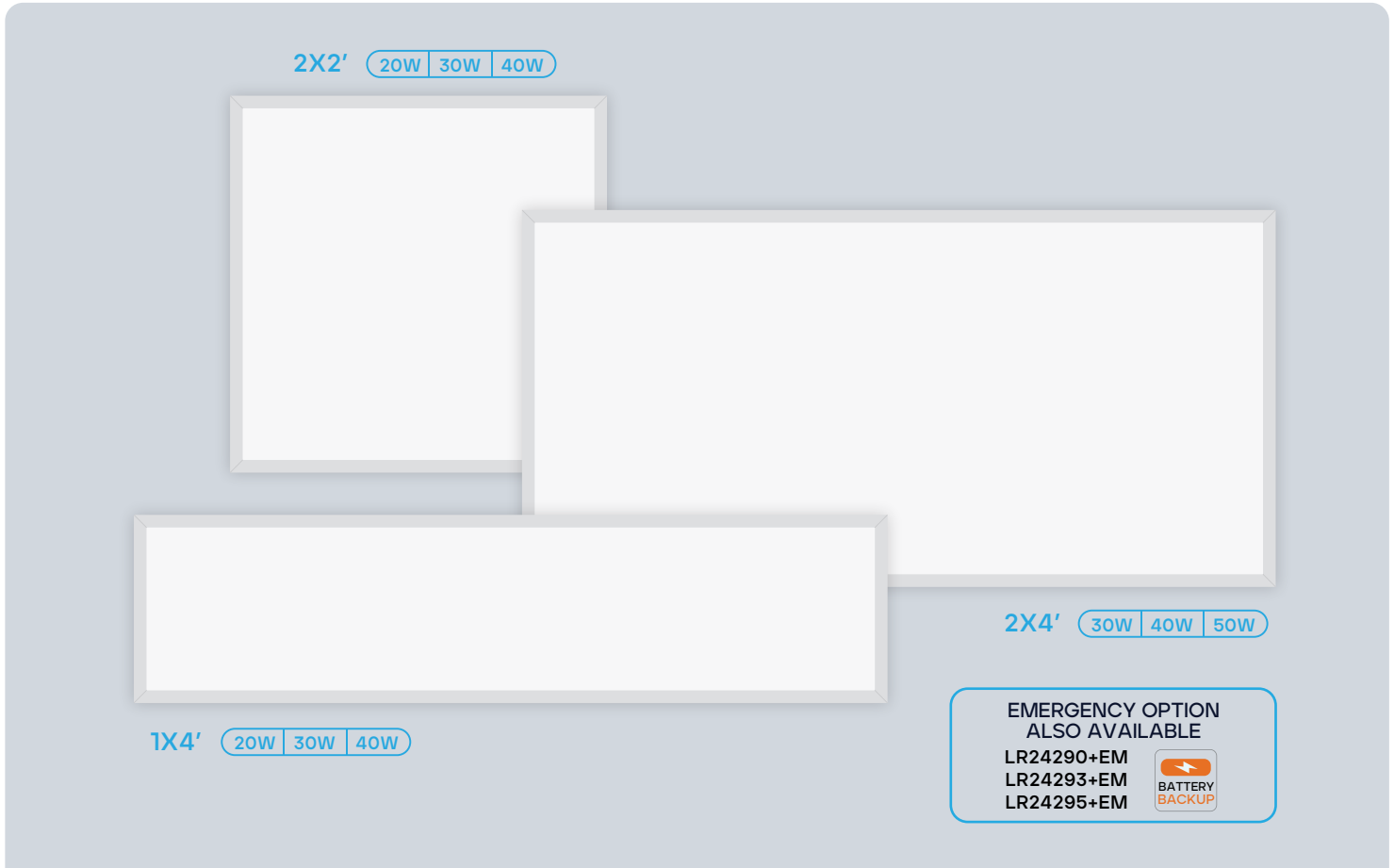


LED LAY IN BACKLIT FLAT PANEL - 5CCT & WATTAGE SELECTABLE 1X4', 2X2', 2X4'



CRI 80

COLOR SELECTABLE
3000K | 3500K | 4000K | 5000K | 6500K

WATTAGE SELECTABLE
3 OPTIONS

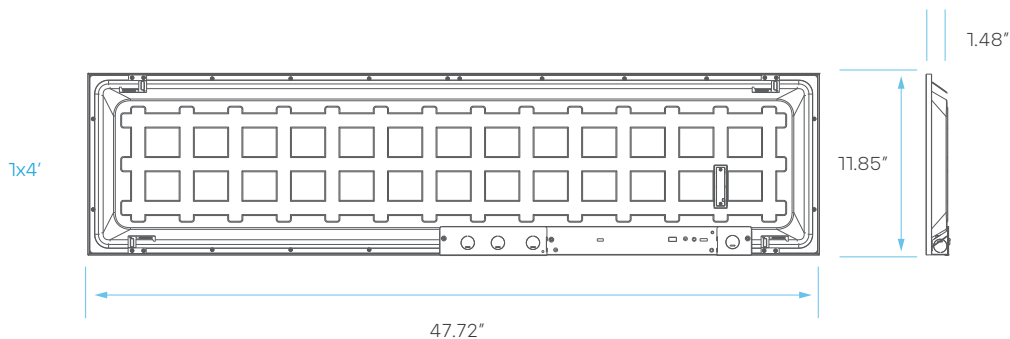
DIMMABLE
0-10V

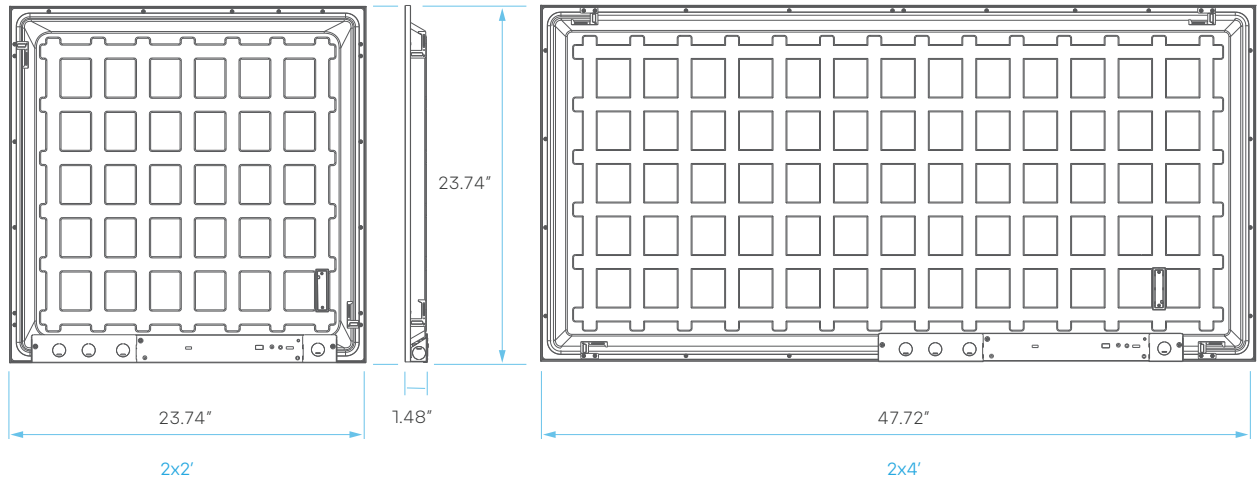
BATTERY BACKUP
*OPTION AVAILABLE

IC RATED

DAMP LOCATION RATED

5 YEAR WARRANTY





ELECTRICAL

	MODEL	DESCRIPTION	POWER	LUMEN	INPUT VOLTS	EFFICACY	LIFETIME	COST/YR	EMERGENCY TIME
2X2	LR24290	LED2X2BPNL/3WO/5CCT/D	20	2500	120-277V	125	50,000	\$ 4.81	
			30	3750					
			40	5000					
	LR24290+EM	LED2X2BPNL/3WO/5CCT/D+EM	20	2500	120-277V	125	50,000	\$ 4.81	90 MINS
			30	3750					
			40	5000					
2X4	LR24293	LED2X4BPNL/3WO/5CCT/D	30	3750	120-277V	125	50,000	\$ 6.02	
			40	5000					
			50	6250					
	LR24293+EM	LED2X4BPNL/3WO/5CCT/D+EM	30	3750	120-277V	125	50,000	\$ 6.02	90 MINS
			40	5000					
			50	6250					
1X4	LR24295	LED1X4BPNL/3WO/5CCT/D	20	2500	120-277V	125	50,000	\$ 4.81	
			30	3750					
			40	5000					
	LR24295+EM	LED1X4BPNL/3WO/5CCT/D+EM	20	2500	120-277V	125	50,000	\$ 4.81	90 MINS
			30	3750					
			40	5000					

PHOTOMETRIC

MODEL	DESCRIPTION	COLOR (CCT)	TEMP	CRI	ETL LISTED	DLC LISTED
LR24290	LED2X2BPNL/3WO/5CCT/D	3000K/3500K/4000K/5000K/6500K	CCT SELECT	80	YES	S-KNICT1
LR24290+EM	LED2X2BPNL/3WO/5CCT/D+EM	3000K/3500K/4000K/5000K/6500K	CCT SELECT	80	YES	S-KNICT1
LR24293	LED2X4BPNL/3WO/5CCT/D	3000K/3500K/4000K/5000K/6500K	CCT SELECT	80	YES	S-QROK8B
LR24293+EM	LED2X4BPNL/3WO/5CCT/D+EM	3000K/3500K/4000K/5000K/6500K	CCT SELECT	80	YES	S-QROK8B
LR24295	LED1X4BPNL/3WO/5CCT/D	3000K/3500K/4000K/5000K/6500K	CCT SELECT	80	YES	S-301THY
LR24295+EM	LED1X4BPNL/3WO/5CCT/D+EM	3000K/3500K/4000K/5000K/6500K	CCT SELECT	80	YES	S-301THY

COMPATIBLE WITH:

LR35132
Emergency LED Driver



LR35132 - SPECIFICATIONS

MODEL	DESCRIPTION	EM POWER	INPUT VOLTS	FREQUENCY	INPUT CURRENT	INPUT POWER	OUTPUT VOLTAGE	RECHARGE TIME	EMERGENCY TIME
LR35132	LED/EMR/8W/AC/BPM/E/TTB	8	100-347V	50/60Hz	100mA	6W max	170V DC	24Hr	90min

AMBIENT TEMPERATURE: 41°F ~ 122°F

LR35132 - WIRING DIAGRAM

1. For luminaire with 0-10V LED driver and using 0-10V dimmer (* LED DRIVER INPUT POWER NOT GREATER THAN 60W) . Emergency Inverter Dim+ (Blue) , Driver Dim- (Yellow) has to connect with LED driver DIM+ and DIM-.

