

LUXRITE®

LED CANLESS - SPOTLIGHT MULTI-LIGHT

RETRACTABLE - ADJUSTABLE



LR32070
LEDMTL1/3W/5CCT/BK/D



LR32071
LEDMTL1/3W/5CCT/WT/D



APERTURE	1 HEAD
DISTRIBUTION	ADJUSTABLE
APPLICATION	NEW CONSTRUCTION & REMODEL

ELECTRICAL

POWER	3W
INPUT VOLTS	120V
INPUT CURRENT	30mA
FREQUENCY	50/60Hz
DIMMING TYPE	TRIAC
DIMMING RANGE	10-100%
FEED WIRE GAUGE	20AWG
BREAKER SPECIFICATION (15A @120V)	399pcs*

*Mathematically estimated value. Actual capacity may vary by breaker type and installation environment.

PHOTOMETRIC

COLOR CCT	2700K/3000K/3500K/4000K/5000K
CRI	90
LUMEN	LR32070: 200lm LR32071: 200lm
EFFICACY	66lm/w
BEAM ANGLE	LR32070: 20° LR32071: 20°

CERTIFICATIONS & SAFETY

LR32070	ETL
LR32071	ETL
IP RATING	IP44
DAMP LOCATION	YES
IC RATED	YES
AIR TIGHT	YES
OPERATING TEMP.	-4°F to 104°F
COST/YR	\$ 0.36
WARRANTY	3 YR

MATERIAL & APPLICATION

HEAT SINK	DIE-CAST ALUMINUM
LENS	ACRYLIC
CUTOUT	1.96" X 1.96"
MOUNTING TYPE	RECESSED
ROTATION	355°
TILT	80°
AREA OF APPLICATION	RESIDENTIAL, COMMERCIAL
CEILING TYPE	DRYWALL, WOOD

DRIVER

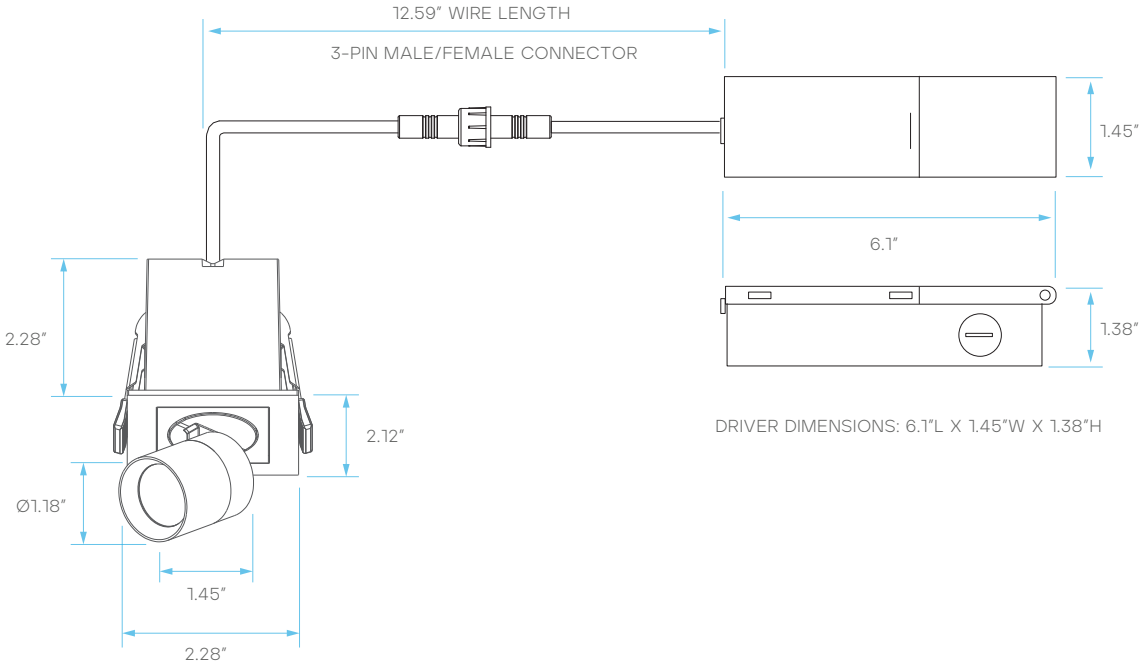
	POWER	INPUT VOLTS	INPUT CURRENT	FREQUENCY	INPUT POWER	OUTPUT VOLTAGE	DIMENSIONS	KNOCKOUTS
INCLUDED DRIVER	3W	120V	30mA	50/60Hz	3W max	36V DC	6.1"L X 1.45"W X 1.38"H	3

MODEL	DESCRIPTION	EM POWER	INPUT VOLTS	INPUT CURRENT	FREQUENCY	INPUT POWER	OUTPUT VOLTAGE	RECHARGE TIME	EMERGENCY TIME
LR35126**	LED/EMR/15W/AC/SF/E	15	100-347V	100mA	50/60Hz	12W max	170V DC	24HR	90MINS

*AMBIENT TEMPERATURE: 41°F ~ 122°F
**SOLD SEPARATELY

DIMENSIONS

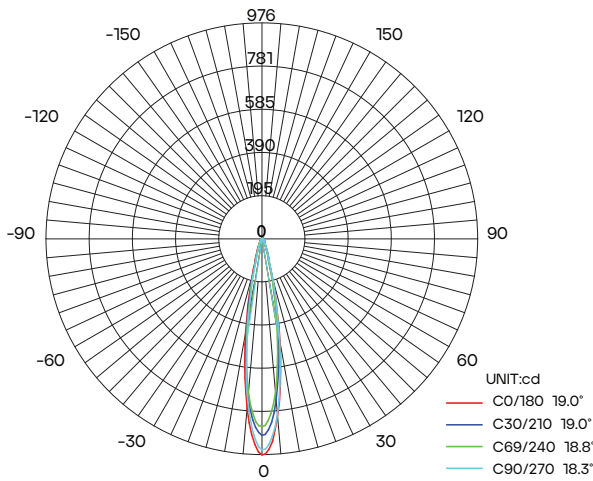
CUTOUT: 1.96" X 1.96"



LuxiFlow™ PHOTOMETRICS

Luxrite® LuxiFlow® tool is for informational purposes only, it is not intended to provide lighting or electrical advise.

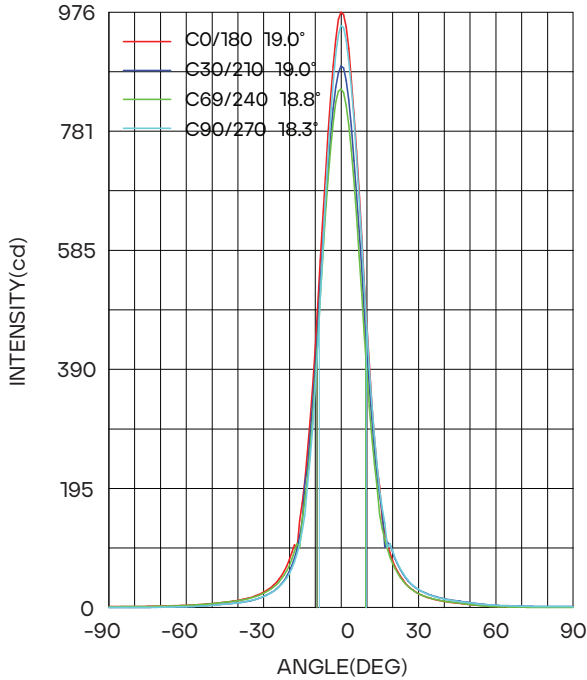
LUMINOUS INTENSITY DISTRIBUTION DIAGRAM



AVERAGE BEAM ANGLE(50%): 18.8 DEG

*DIAGRAM SHOWING LR32070, LR32071 AT 4000K

LUMINOUS INTENSITY DISTRIBUTION





LR32073
LEDMTL2/6W/5CCT/BK/D



LR32074
LEDMTL2/6W/5CCT/WT/D



APERTURE	2 HEAD
DISTRIBUTION	ADJUSTABLE
APPLICATION	NEW CONSTRUCTION & REMODEL



ELECTRICAL

POWER	6W
INPUT VOLTS	120V
INPUT CURRENT	60mA
FREQUENCY	50/60Hz
DIMMING TYPE	TRIAC
DIMMING RANGE	10-100%
FEED WIRE GAUGE	20AWG
BREAKER SPECIFICATION (15A @120V)	199pcs*

*Mathematically estimated value. Actual capacity may vary by breaker type and installation environment.

PHOTOMETRIC

COLOR CCT	2700K/3000K/3500K/4000K/5000K
CRI	90
LUMEN	LR32073: 400lm LR32074: 400lm
EFFICACY	66lm/w
BEAM ANGLE	LR32073: 20° LR32074: 20°

CERTIFICATIONS & SAFETY

LR32073	ETL
LR32074	ETL
IP RATING	IP44
DAMP LOCATION	YES
IC RATED	YES
AIR TIGHT	YES
OPERATING TEMP.	-4°F to 104°F
COST/YR	\$ 0.72
WARRANTY	3 YR

MATERIAL & APPLICATION

HEAT SINK	DIE-CAST ALUMINUM
LENS	ACRYLIC
CUTOUT	4.92" X 1.77"
MOUNTING TYPE	RECESSED
ROTATION	355°
TILT	80°
AREA OF APPLICATION	RESIDENTIAL, COMMERCIAL
CEILING TYPE	DRYWALL, WOOD

DRIVER

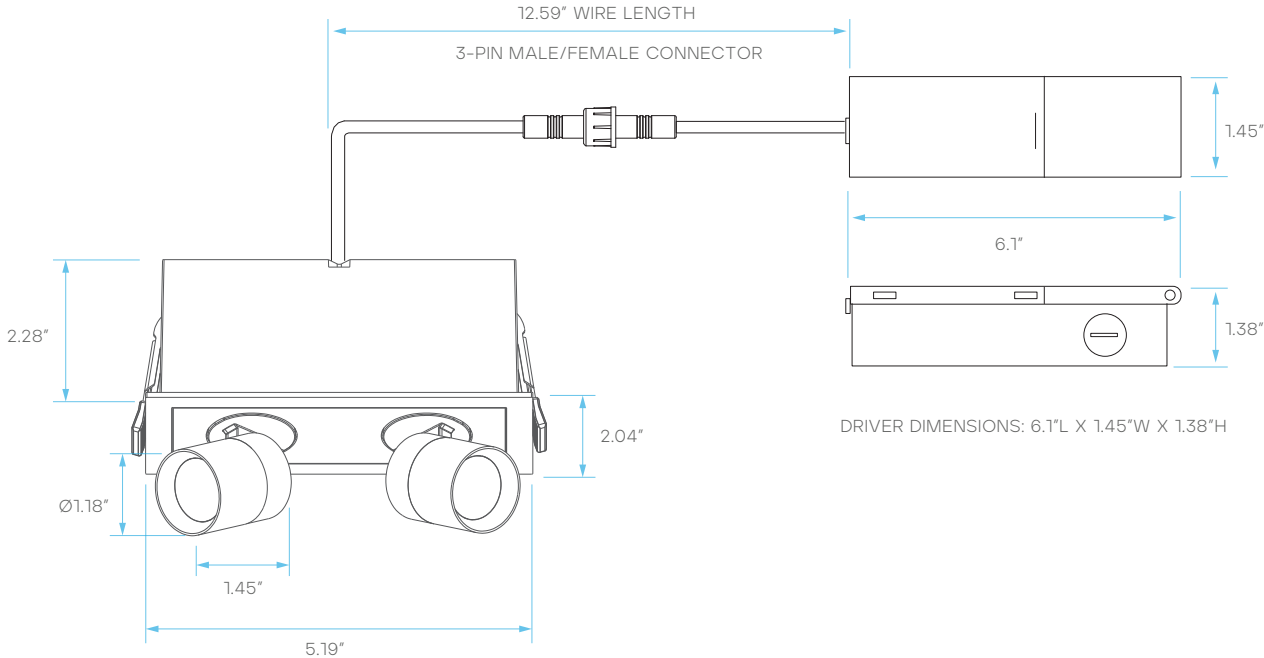
	POWER	INPUT VOLTS	INPUT CURRENT	FREQUENCY	INPUT POWER	OUTPUT VOLTAGE	DIMENSIONS	KNOCKOUTS
INCLUDED DRIVER	6W	120V	60mA	50/60Hz	6W max	36V DC	6.1"L X 1.45"W X 1.38"H	3

MODEL	DESCRIPTION	EM POWER	INPUT VOLTS	INPUT CURRENT	FREQUENCY	INPUT POWER	OUTPUT VOLTAGE	RECHARGE TIME	EMERGENCY TIME
LR35126**	LED/EMR/15W/AC/SF/E	15	100-347V	100mA	50/60Hz	12W max	170V DC	24HR	90MINS

*AMBIENT TEMPERATURE: 41°F ~ 122°F
**SOLD SEPARATELY

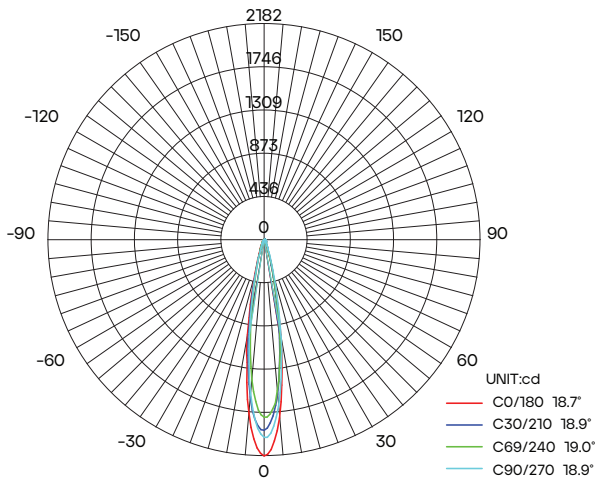
DIMENSIONS

CUTOUT: 4.92" X 1.77"



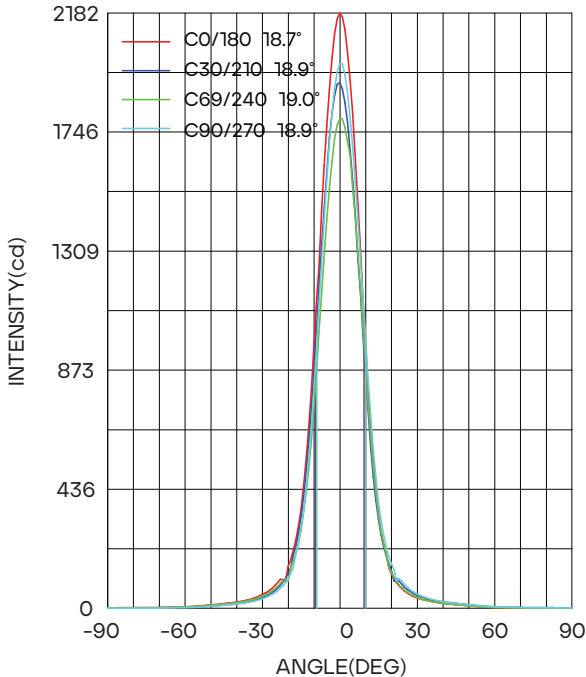
Luxrite® LuxiFlow® tool is for informational purposes only, it is not intended to provide lighting or electrical advise.

LUMINOUS INTENSITY DISTRIBUTION DIAGRAM



*DIAGRAM SHOWING LR32073, LR32074 AT 4000K

LUMINOUS INTENSITY DISTRIBUTION





LR32076

LEDMTL5/15W/5CCT/BK/D



LR32077

LEDMTL5/15W/5CCT/WT/D



APERTURE	5 HEAD
DISTRIBUTION	ADJUSTABLE
APPLICATION	NEW CONSTRUCTION & REMODEL

ELECTRICAL

POWER	15W
INPUT VOLTS	120V
INPUT CURRENT	150mA
FREQUENCY	50/60Hz
DIMMING TYPE	TRIAC
DIMMING RANGE	10-100%
FEED WIRE GAUGE	20AWG
BREAKER SPECIFICATION (15A @120V)	79pcs*

*Mathematically estimated value. Actual capacity may vary by breaker type and installation environment.

PHOTOMETRIC

COLOR CCT	2700K/3000K/3500K/4000K/5000K
CRI	90
LUMEN	LR32076: 1000lm LR32077: 1000lm
EFFICACY	66lm/w
BEAM ANGLE	LR32076: 20° LR32077: 20°

CERTIFICATIONS & SAFETY

LR32076	ETL
LR32077	ETL
IP RATING	IP44
DAMP LOCATION	YES
IC RATED	YES
AIR TIGHT	YES
OPERATING TEMP.	-4°F to 104°F
COST/YR	\$ 1.80
WARRANTY	3 YR

MATERIAL & APPLICATION

HEAT SINK	DIE-CAST ALUMINUM
TRIM	ALUMINUM
LENS	ACRYLIC
CUTOUT	9.44" X 1.77"
MOUNTING TYPE	RECESSED
ROTATION	355°
TILT	80°
AREA OF APPLICATION	RESIDENTIAL, COMMERCIAL
CEILING TYPE	DRYWALL, WOOD

DRIVER

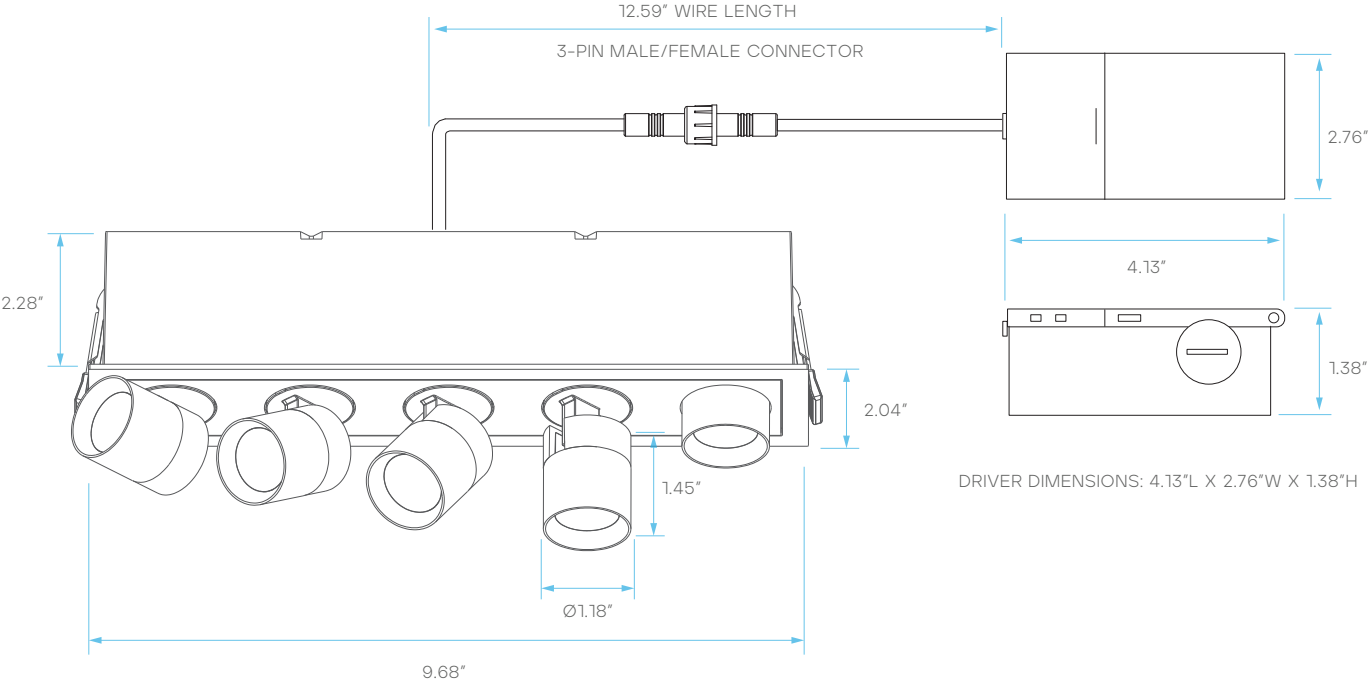
	POWER	INPUT VOLTS	INPUT CURRENT	FREQUENCY	INPUT POWER	OUTPUT VOLTAGE	DIMENSIONS	KNOCKOUTS
INCLUDED DRIVER	5W	120V	150mA	50/60Hz	5W max	36V DC	4.13"L X 2.76"W X 1.38"H	3

MODEL	DESCRIPTION	EM POWER	INPUT VOLTS	INPUT CURRENT	FREQUENCY	INPUT POWER	OUTPUT VOLTAGE	RECHARGE TIME	EMERGENCY TIME
LR35126**	LED/EMR/15W/AC/SF/E	15	100-347V	100mA	50/60Hz	12W max	170V DC	24HR	90MINS

*AMBIENT TEMPERATURE: 41°F ~ 122°F
**SOLD SEPARATELY

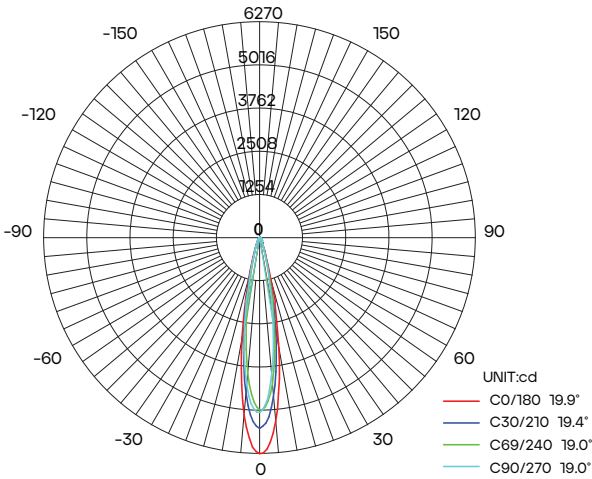
DIMENSIONS

CUTOUT: 9.44" X 1.77"



Luxrite® Luxiflow® tool is for informational purposes only, it is not intended to provide lighting or electrical advise.

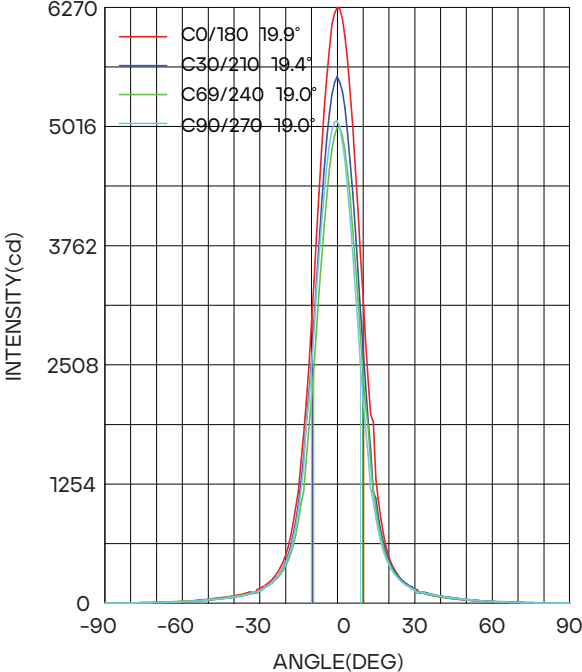
LUMINOUS INTENSITY DISTRIBUTION DIAGRAM



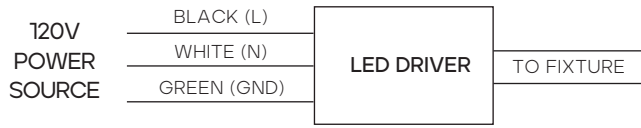
AVERAGE BEAM ANGLE(50%): 19.3 DEG

*DIAGRAM SHOWING LR32076, LR32077 AT 4000K

LUMINOUS INTENSITY DISTRIBUTION



WIRING DIAGRAM



SUGGESTED COMPATIBLE DIMMER*

LUTRON	CTCL-153P
	DVCL-153PDH
	DVCL-153P
LEVITON	6672
	6674
PASS & SEYMOUR	HCL453PTCCCV6

*Dimmer performance may vary based on load, wiring, and installation conditions. Inclusion on this chart does not guarantee compatibility for every installation, and omission does not indicate incompatibility. Refer to the dimmer manufacturer's installation instructions and verify minimum load requirements to avoid field issues.

PACKAGING

MODEL	STYLE	INNER BOX DIMENSIONS	MASTER CARTON DIMENSIONS	CASE
LR32070	INNER BOX + MASTER CARTON	6.69" X 4.13" X 3.42"	17.91" X 17.32" X 14.17"	40
LR32071	INNER BOX + MASTER CARTON	6.69" X 4.13" X 3.42"	17.91" X 17.32" X 14.17"	40
LR32073	INNER BOX + MASTER CARTON	6.69" X 4.13" X 3.42"	17.91" X 17.32" X 14.17"	40
LR32074	INNER BOX + MASTER CARTON	6.69" X 4.13" X 3.42"	17.91" X 17.32" X 14.17"	40
LR32076	INNER BOX + MASTER CARTON	16.14" X 3.07" X 3.54"	16.93" X 16.14" X 7.87"	10
LR32077	INNER BOX + MASTER CARTON	16.14" X 3.07" X 3.54"	16.93" X 16.14" X 7.87"	10