

LUXRITE®

LED CANLESS - SPOTLIGHT REGRESSED MULTI-HEAD OMNI SERIES



LR32190



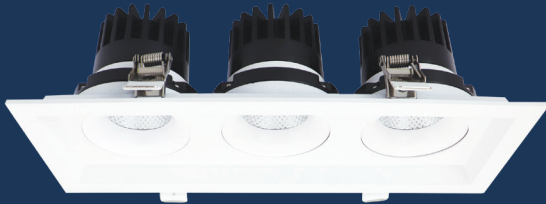
LR32191



LR32192



LR32193



LR32194



LR32195



LR32196



LR32197





LR32190

LED/OMNI1/5CCT/HC/G/WFL/DD/UNV/WT



LR32191

LED/OMNI1/5CCT/HC/G/WFL/DD/UNV/BK



LR32190



LR32191

APERTURE	1 HEAD
DISTRIBUTION	ADJUSTABLE
APPLICATION	NEW CONSTRUCTION & REMODEL

ELECTRICAL

POWER	15W
INPUT VOLTS	120-277V
INPUT CURRENT	125mA
FREQUENCY	60Hz
DIMMING TYPE	TRIAC/0-10V
DIMMING RANGE	10-100%
FEED WIRE GAUGE	18AWG
BREAKER SPECIFICATION (15A @120V)	79pcs*

*Mathematically estimated value. Actual capacity may vary by breaker type and installation environment.

PHOTOMETRIC

COLOR CCT	2700K/3000K/3500K/4000K/5000K
CRI	90
LUMEN	LR32190: 1000lm LR32191: 1000lm
EFFICACY	67lm/w
BEAM ANGLE	LR32190: 60° LR32191: 60°

CERTIFICATIONS & SAFETY

LR32190	ETL
LR32191	ETL
IP RATING	IP54
WET LOCATION	YES
IC RATED	YES
AIR TIGHT	YES
OPERATING TEMP.	-4°F to 104°F
COST/YR	\$ 1.80
WARRANTY	5 YR

MATERIAL & APPLICATION

HEAT SINK	DIE-CAST ALUMINUM
TRIM	ALUMINUM
LENS	ACRYLIC
CUTOUT	4.25" X 4.25"
MOUNTING TYPE	RECESSED
ROTATION	360°
TILT	15°
AREA OF APPLICATION	RESIDENTIAL, COMMERCIAL
CEILING TYPE	DRYWALL, WOOD

DRIVER

	POWER	INPUT VOLTS	INPUT CURRENT	FREQUENCY	INPUT POWER	OUTPUT VOLTAGE	DIMENSIONS	KNOCKOUTS
INCLUDED DRIVER	15W	120-277V	125mA	50/60Hz	15W max	36V DC	5.35"L X 2.18"W X 2.22"H	2

MODEL	DESCRIPTION	EM POWER	INPUT VOLTS	INPUT CURRENT	FREQUENCY	INPUT POWER	OUTPUT VOLTAGE	RECHARGE TIME	EMERGENCY TIME
LR35126**	LED/EMR/15W/AC/SF/E	15	100-347V	100mA	50/60Hz	12W max	170V DC	24HR	90MINS

*AMBIENT TEMPERATURE: 41°F ~ 122°F
*SOLD SEPARATELY

DIMENSIONS

CUTOUT: 4.25" X 4.25"

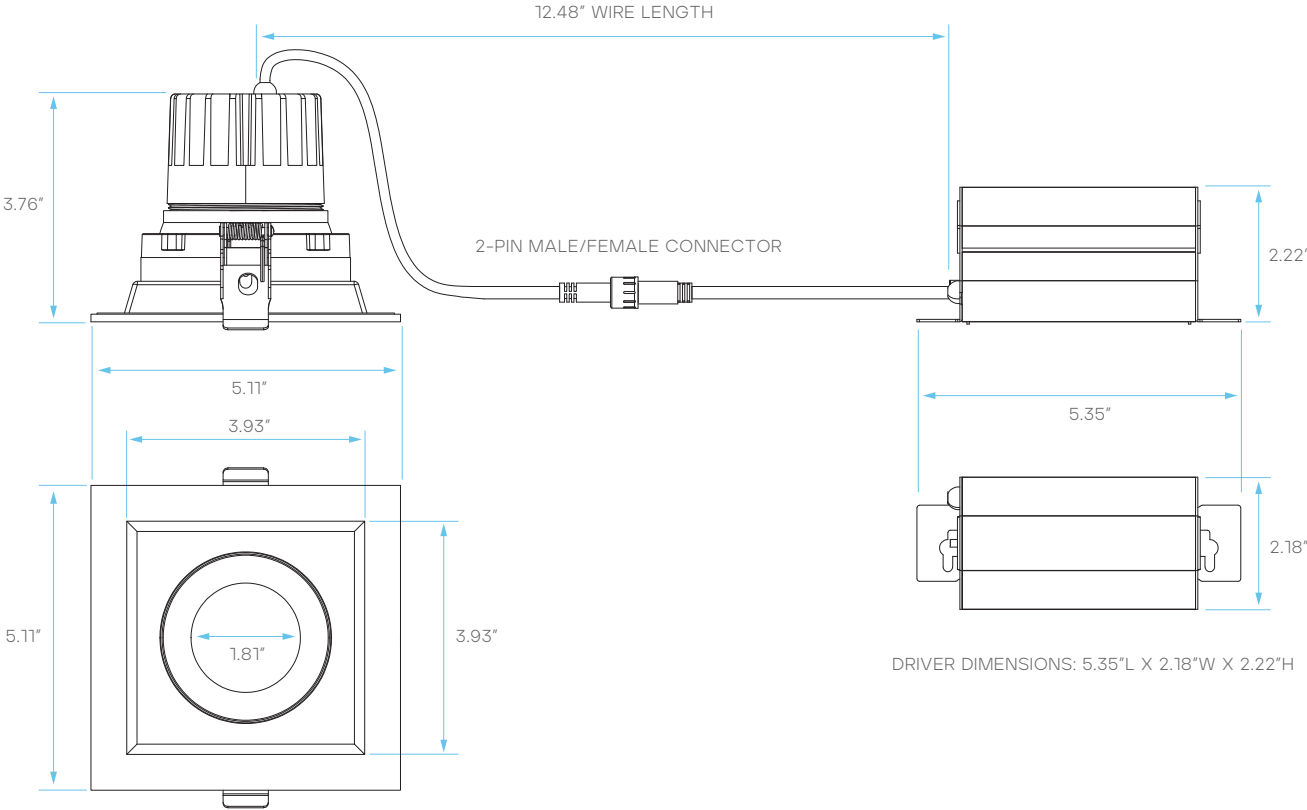
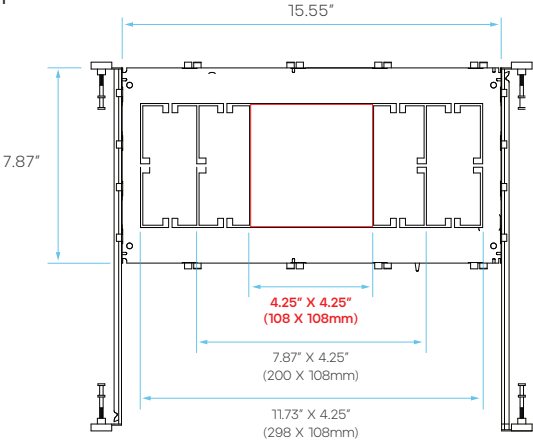


PLATE COMPATIBILITY*

*SOLD SEPARATELY

LR41013
KNOCKOUT
O



LR32192

LED/OMNI2/5CCT/HC/G/WFL/DD/UNV/WT



LR32193

LED/OMNI2/5CCT/HC/G/WFL/DD/UNV/BK



LR32192



LR32193

APERTURE	2 HEAD
DISTRIBUTION	ADJUSTABLE
APPLICATION	NEW CONSTRUCTION & REMODEL

ELECTRICAL

POWER	30W
INPUT VOLTS	120-277V
INPUT CURRENT	250mA
FREQUENCY	60Hz
DIMMING TYPE	TRIAC/0-10V
DIMMING RANGE	10-100%
FEED WIRE GAUGE	18AWG
BREAKER SPECIFICATION (15A @120V)	39pcs*

*Mathematically estimated value. Actual capacity may vary by breaker type and installation environment.

PHOTOMETRIC

COLOR CCT	2700K/3000K/3500K/4000K/5000K
CRI	90
LUMEN	LR32190: 2000lm LR32191: 2000lm
EFFICACY	66lm/w
BEAM ANGLE	LR32192: 60° LR32193: 60°

CERTIFICATIONS & SAFETY

LR32192	ETL
LR32193	ETL
IP RATING	IP54
WET LOCATION	YES
IC RATED	YES
AIR TIGHT	YES
OPERATING TEMP.	-4°F to 104°F
COST/YR	\$ 3.61
WARRANTY	5 YR

MATERIAL & APPLICATION

HEAT SINK	DIE-CAST ALUMINUM
TRIM	ALUMINUM
LENS	ACRYLIC
CUTOUT	7.87" X 4.25"
MOUNTING TYPE	RECESSED
ROTATION	360°
TILT	15°
AREA OF APPLICATION	RESIDENTIAL, COMMERCIAL
CEILING TYPE	DRYWALL, WOOD

DRIVER

	POWER	INPUT VOLTS	INPUT CURRENT	FREQUENCY	INPUT POWER	OUTPUT VOLTAGE	DIMENSIONS	KNOCKOUTS
INCLUDED DRIVER	30W	120-277V	250mA	50/60Hz	30W max	36V DC	6.18"L X 4.64"W X 1.65"H	4

MODEL	DESCRIPTION	EM POWER	INPUT VOLTS	INPUT CURRENT	FREQUENCY	INPUT POWER	OUTPUT VOLTAGE	RECHARGE TIME	EMERGENCY TIME
LR35126**	LED/EMR/15W/AC/SF/E	15	100-347V	100mA	50/60Hz	12W max	170V DC	24HR	90MINS

*AMBIENT TEMPERATURE: 41°F ~ 122°F
*SOLD SEPARATELY

DIMENSIONS

CUTOUT: 7.87" X 4.25"

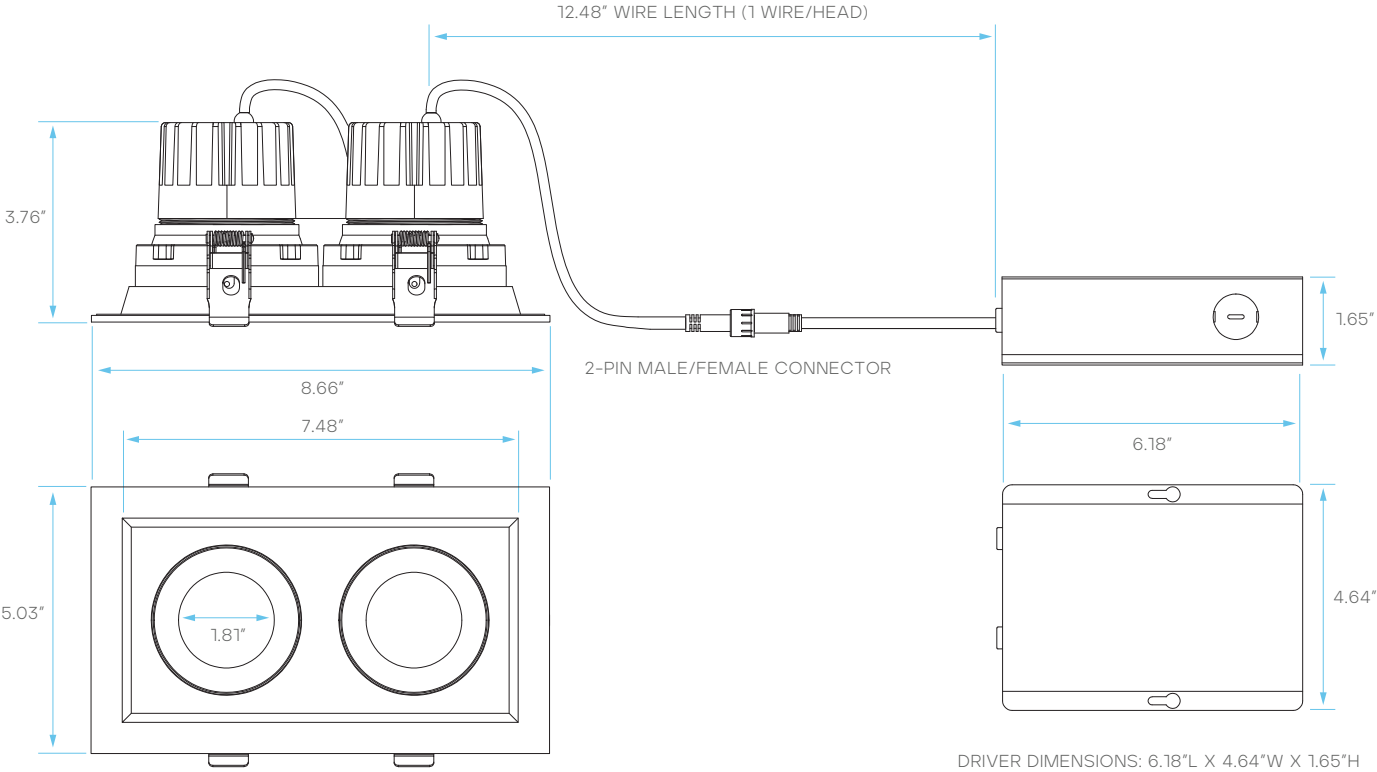
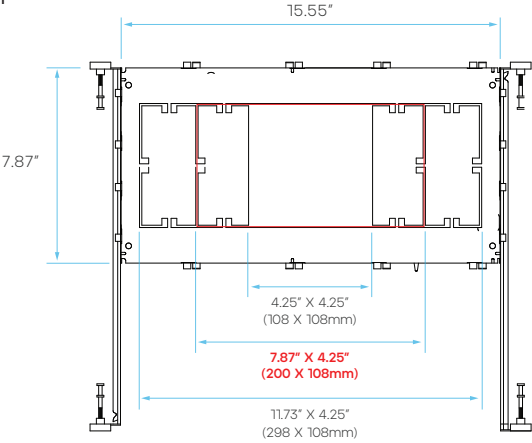


PLATE COMPATIBILITY*

*SOLD SEPARATELY

LR41013
KNOCKOUT
1



LR32194

LED/OMNI3/5CCT/HC/G/WFL/DD/UNV/WT



LR32195

LED/OMNI3/5CCT/HC/G/WFL/DD/UNV/BK



LR32194



LR32195



APERTURE	3 HEAD
DISTRIBUTION	ADJUSTABLE
APPLICATION	NEW CONSTRUCTION & REMODEL

ELECTRICAL

POWER	45W
INPUT VOLTS	120-277V
INPUT CURRENT	375mA
FREQUENCY	60Hz
DIMMING TYPE	TRIAC/0-10V
DIMMING RANGE	10-100%
FEED WIRE GAUGE	18AWG
BREAKER SPECIFICATION (15A @120V)	26pcs*

*Mathematically estimated value. Actual capacity may vary by breaker type and installation environment.

PHOTOMETRIC

COLOR CCT	2700K/3000K/3500K/4000K/5000K
CRI	90
LUMEN	LR32194: 3000lm LR32195: 3000lm
EFFICACY	66lm/w
BEAM ANGLE	LR32194: 60° LR32195: 60°

CERTIFICATIONS & SAFETY

LR32194	ETL
LR32195	ETL
IP RATING	IP54
WET LOCATION	YES
IC RATED	YES
AIR TIGHT	YES
OPERATING TEMP.	-4°F to 104°F
COST/YR	\$ 5.42
WARRANTY	5 YR

MATERIAL & APPLICATION

HEAT SINK	DIE-CAST ALUMINUM
TRIM	ALUMINUM
LENS	ACRYLIC
CUTOUT	11.73" X 4.25"
MOUNTING TYPE	RECESSED
ROTATION	360°
TILT	15°
AREA OF APPLICATION	RESIDENTIAL, COMMERCIAL
CEILING TYPE	DRYWALL, WOOD

DRIVER

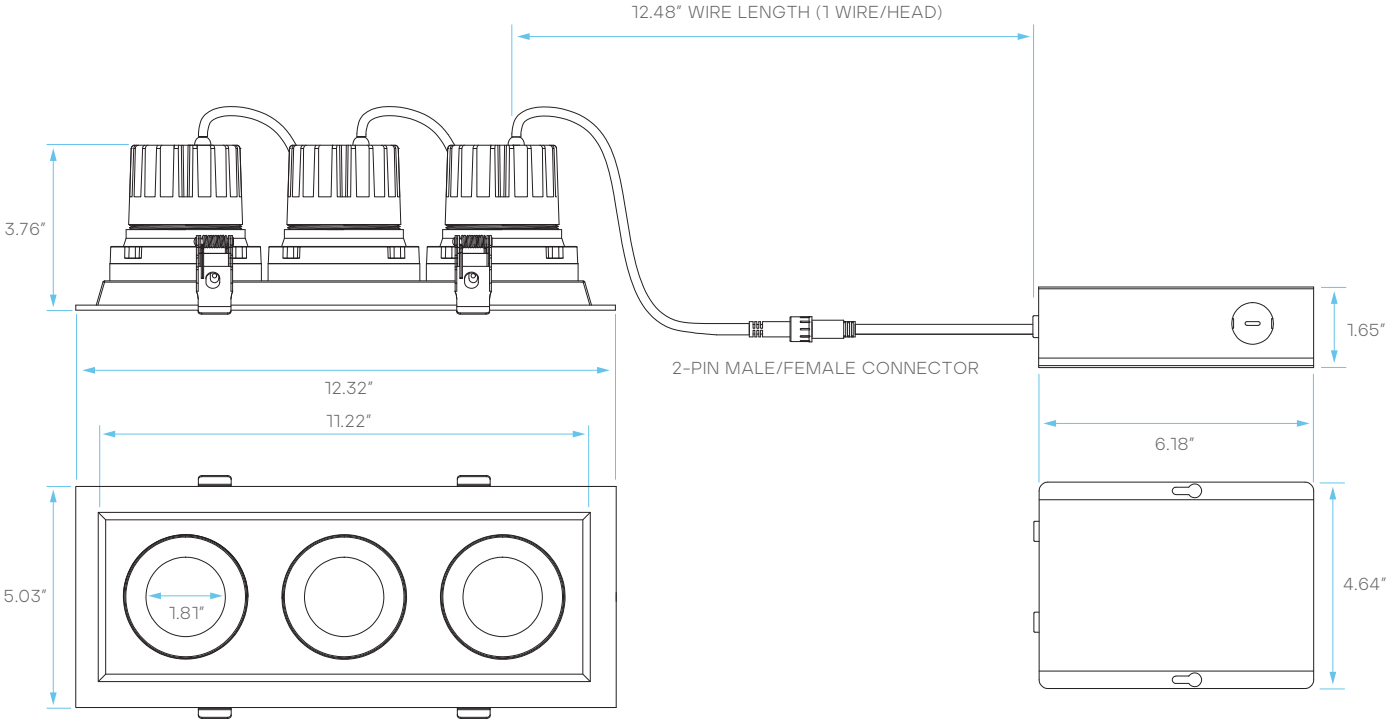
	POWER	INPUT VOLTS	INPUT CURRENT	FREQUENCY	INPUT POWER	OUTPUT VOLTAGE	DIMENSIONS	KNOCKOUTS
INCLUDED DRIVER	45W	120-277V	375mA	50/60Hz	45W max	36V DC	6.18"L X 4.64"W X 1.65"H	4

MODEL	DESCRIPTION	EM POWER	INPUT VOLTS	INPUT CURRENT	FREQUENCY	INPUT POWER	OUTPUT VOLTAGE	RECHARGE TIME	EMERGENCY TIME
LR35126**	LED/EMR/15W/AC/SF/E	15	100-347V	100mA	50/60Hz	12W max	170V DC	24HR	90MINS

*AMBIENT TEMPERATURE: 41°F ~ 122°F
*SOLD SEPARATELY

DIMENSIONS

CUTOUT: 11.73" X 4.25"

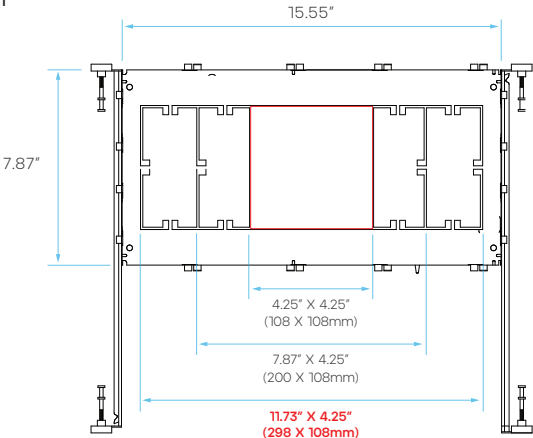


DRIVER DIMENSIONS: 6.18"L X 4.64"W X 1.65"H

PLATE COMPATIBILITY*

*SOLD SEPARATELY

LR41013
KNOCKOUT
2



LR32196

LED/OMNI4/5CCT/HC/G/WFL/DD/UNV/WT



LR32197

LED/OMNI4/5CCT/HC/G/WFL/DD/UNV/BK



LR32196



LR32197

APERTURE	4 HEAD
DISTRIBUTION	ADJUSTABLE
APPLICATION	NEW CONSTRUCTION & REMODEL

ELECTRICAL

POWER	60W
INPUT VOLTS	120-277V
INPUT CURRENT	500mA
FREQUENCY	60Hz
DIMMING TYPE	TRIAC/0-10V
DIMMING RANGE	10-100%
FEED WIRE GAUGE	18AWG
BREAKER SPECIFICATION (15A @120V)	19pcs*

*Mathematically estimated value. Actual capacity may vary by breaker type and installation environment.

PHOTOMETRIC

COLOR CCT	2700K/3000K/3500K/4000K/5000K
CRI	90
LUMEN	LR32196: 4000lm LR32197: 4000lm
EFFICACY	66lm/w
BEAM ANGLE	LR32196: 60° LR32197: 60°

CERTIFICATIONS & SAFETY

LR32196	ETL
LR32197	ETL
IP RATING	IP54
WET LOCATION	YES
IC RATED	YES
AIR TIGHT	YES
OPERATING TEMP.	-4°F to 104°F
COST/YR	\$ 7.22
WARRANTY	5 YR

MATERIAL & APPLICATION

HEAT SINK	DIE-CAST ALUMINUM
TRIM	ALUMINUM
LENS	ACRYLIC
CUTOUT	15.27" X 4.25"
MOUNTING TYPE	RECESSED
ROTATION	360°
TILT	15°
AREA OF APPLICATION	RESIDENTIAL, COMMERCIAL
CEILING TYPE	DRYWALL, WOOD

DRIVER

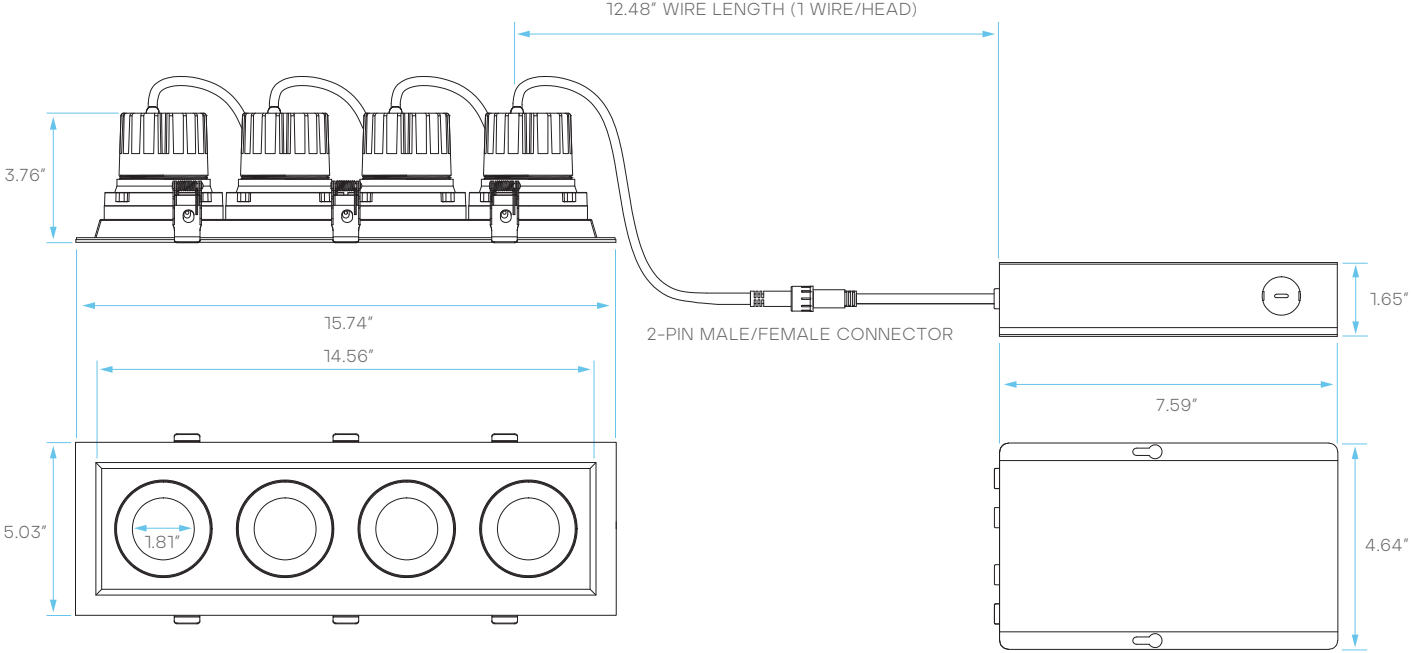
	POWER	INPUT VOLTS	INPUT CURRENT	FREQUENCY	INPUT POWER	OUTPUT VOLTAGE	DIMENSIONS	KNOCKOUTS
INCLUDED DRIVER	60W	120-277V		50/60Hz	60W max	36V DC	7.59"L X 4.64"W X 1.65"H	2

MODEL	DESCRIPTION	EM POWER	INPUT VOLTS	INPUT CURRENT	FREQUENCY	INPUT POWER	OUTPUT VOLTAGE	RECHARGE TIME	EMERGENCY TIME
LR35126**	LED/EMR/15W/AC/SF/E	15	100-347V	100mA	50/60Hz	12W max	170V DC	24HR	90MINS

*AMBIENT TEMPERATURE: 41°F ~ 122°F
**SOLD SEPARATELY

DIMENSIONS

CUTOUT: 11.73" X 4.25"



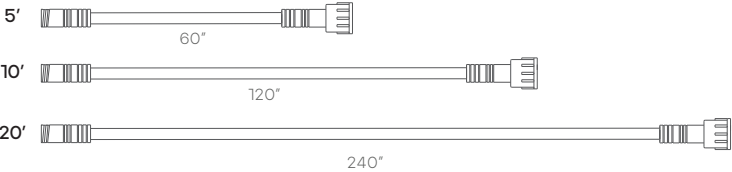
DRIVER DIMENSIONS: 7.59"L X 4.64"W X 1.65"H

WIRE EXTENDER OPTIONS

*SOLD SEPARATELY

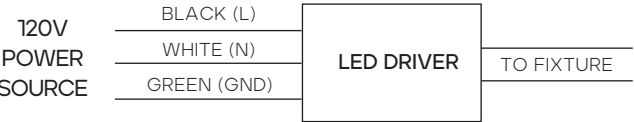


MODEL	TYPE	WIRE GAUGE
LR41050	5' - 3 PIN	22 AWG
LR41052	10' - 3 PIN	22 AWG
LR41054	20' - 3 PIN	22 AWG

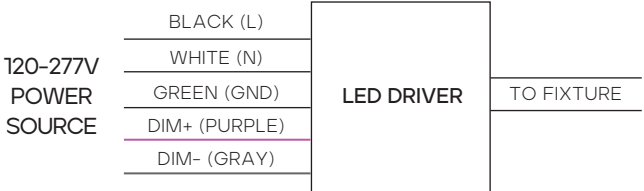


WIRING DIAGRAM

120V



120-277V



SUGGESTED COMPATIBLE DIMMER*

TRIAC DIMMING*

LUTRON	CTCL-153P
	DVCL-153PDH
	DVCL-153P
LEVITON	6672
	6674
PASS & SEYMOUR	HCL453PTCCCV6

0-10V DIMMING*

LUTRON	DIVA - DVTV
	DIVA - NFTV
	NOVA T - NTFTV
LEVITON	ILLUMATECH - IP7
LIGHTOLIER CONTROLS	ZP600FAM120
PHILIPS	SRT200ZTUNV

*Dimmer performance may vary based on load, wiring, and installation conditions. Inclusion on this chart does not guarantee compatibility for every installation, and omission does not indicate incompatibility. Refer to the dimmer manufacturer's installation instructions and verify minimum load requirements to avoid field issues

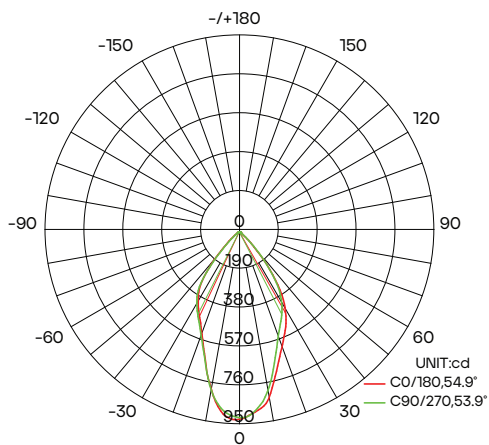
PACKAGING

MODEL	STYLE	INNER BOX DIMENSIONS	MASTER CARTON DIMENSIONS	CASE
LR32190	INNER BOX + MASTER CARTON	6.69" X 5.51" X 4.72"	17.12" X 13.97" X 15.15"	18
LR32191	INNER BOX + MASTER CARTON	6.69" X 5.51" X 4.72"	17.12" X 13.97" X 15.15"	18
LR32192	INNER BOX + MASTER CARTON	9.25" X 5.90" X 6.29"	19.09" X 12.40" X 13.58"	8
LR32193	INNER BOX + MASTER CARTON	9.25" X 5.90" X 6.29"	19.09" X 12.40" X 13.58"	8
LR32194	INNER BOX + MASTER CARTON	12.99" X 5.90" X 6.29"	23.62" X 13.58" X 13.58"	8
LR32195	INNER BOX + MASTER CARTON	12.99" X 5.90" X 6.29"	23.62" X 13.58" X 13.58"	8
LR32196	INNER BOX + MASTER CARTON	16.33" X 5.90" X 6.29"	16.92" X 12.40" X 13.58"	4
LR32197	INNER BOX + MASTER CARTON	16.33" X 5.90" X 6.29"	16.92" X 12.40" X 13.58"	4

LuxiFlow™ PHOTOMETRICS

Luxrite® LuxiFlow® tool is for informational purposes only, it is not intended to provide lighting or electrical advise.

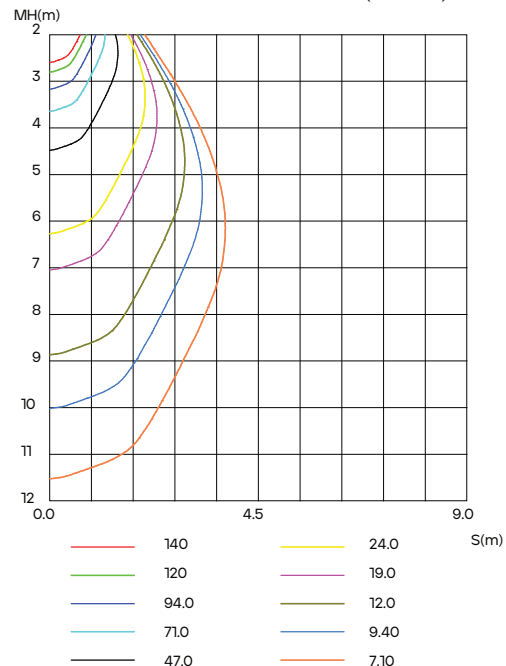
LUMINOUS INTENSITY DISTRIBUTION DIAGRAM



AVERAGE BEAM ANGLE(50%): 54.4 DEG

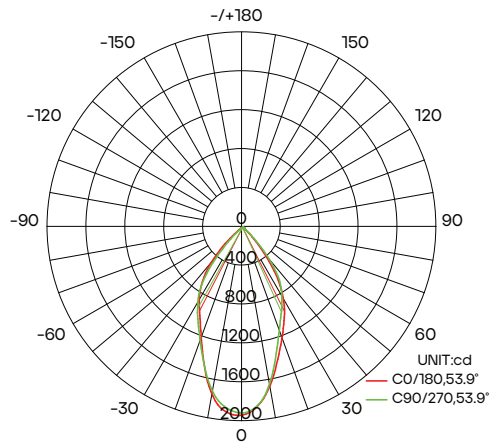
*DIAGRAM SHOWING LR32190 AT 2700K

C0 PLANE ISOLUX DIAGRAM (UNIT:lx)



Luxrite® LuxiFlow® tool is for informational purposes only, it is not intended to provide lighting or electrical advise.

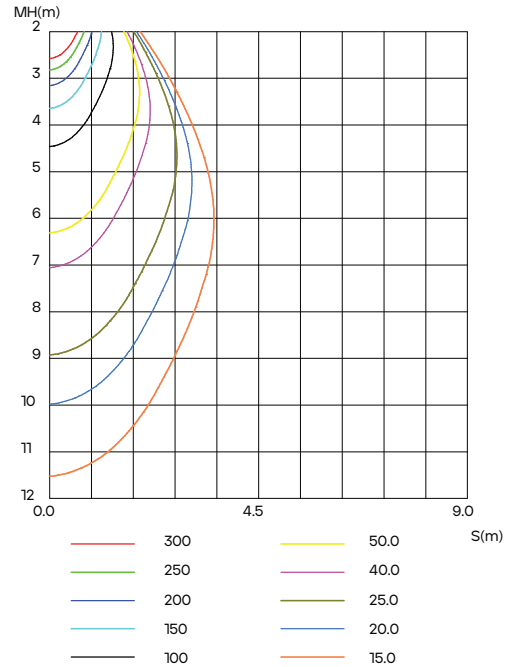
LUMINOUS INTENSITY DISTRIBUTION DIAGRAM



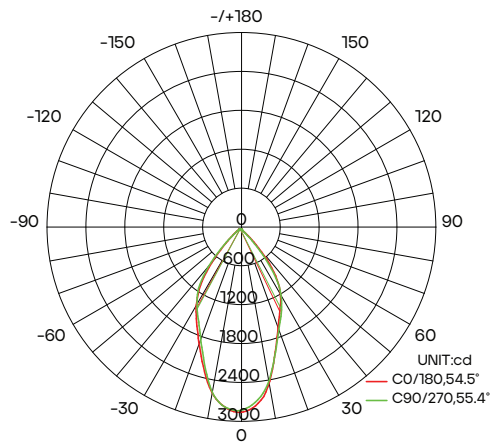
AVERAGE BEAM ANGLE(50%): 53.9 DEG

*DIAGRAM SHOWING LR32192 AT 2700K

C0 PLANE ISOLUX DIAGRAM (UNIT:lx)



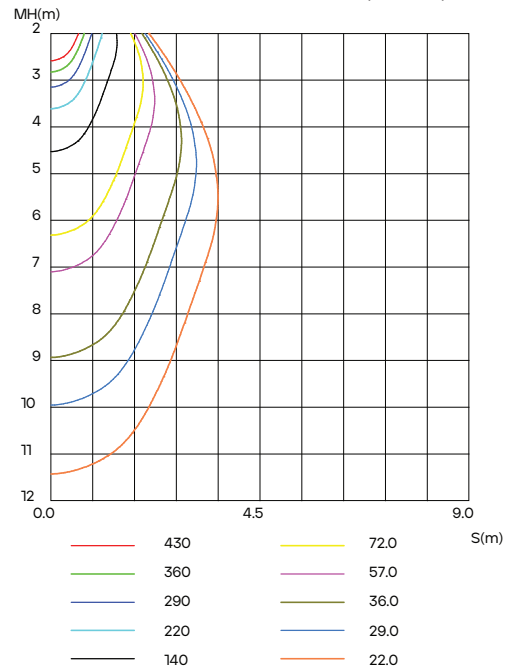
LUMINOUS INTENSITY DISTRIBUTION DIAGRAM



AVERAGE BEAM ANGLE(50%): 54.9 DEG

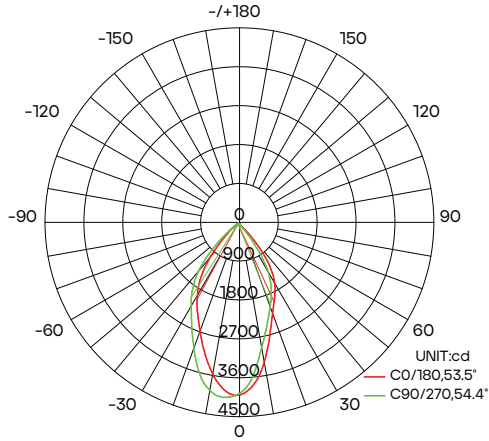
*DIAGRAM SHOWING LR32194 AT 2700K

C0 PLANE ISOLUX DIAGRAM (UNIT:lx)



Luxrite® Luxiflow® tool is for informational purposes only, it is not intended to provide lighting or electrical advice.

LUMINOUS INTENSITY DISTRIBUTION DIAGRAM



AVERAGE BEAM ANGLE(50%): 53.9 DEG

*DIAGRAM SHOWING LR32196 AT 2700K

C0 PLANE ISOLUX DIAGRAM (UNIT:lx)

