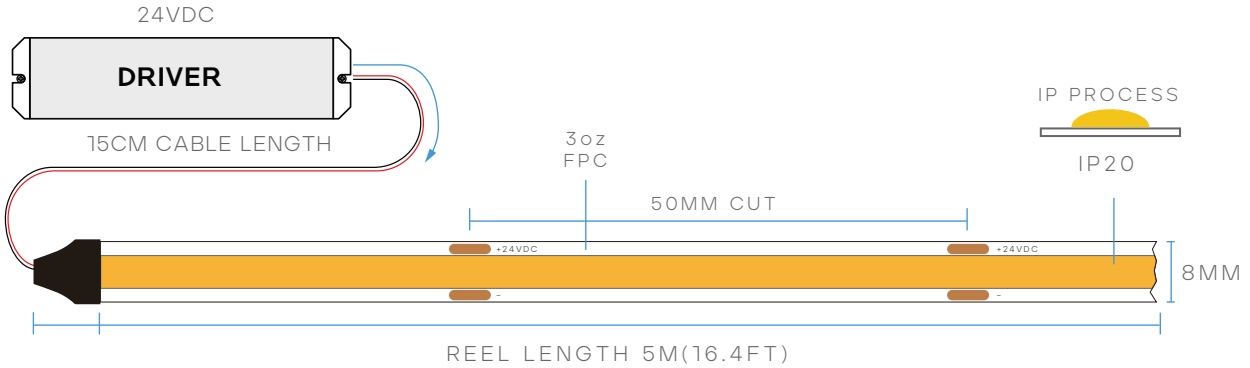


TAPERITE™ COB TAPE LIGHT



LR45110

1.5W/FT

25W/REEL

IP-20

CRI 90

BEAM SPREAD 135°

24V

8MM

3oz FPC

16.4' REEL

UL LISTED

MODEL	DESCRIPTION	COLOR (CCT)	LUMEN/FT	WATTAGE /FT	WATTAGE /REEL	EFFICACY
LR45110	LEDTL/COB/1.5W/927/IP20/24V/5M	2700K - WARM WHITE	136	1.5W	25W	89lm/w

CHIP

CHIP:	CHIP ON BOARD
WIDTH:	8MM
CUT SIZE:	50MM

INSTALLATION

ADHESIVE:	9448A 3M TAPE
CABLE LENGTH:	15CM
MAX. RUN:	5M/16.4FT

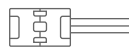
PACKAGING

CASE:	50 ROLLS
-------	----------

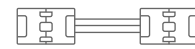
COMPATIBLE CONNECTORS



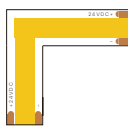
TAPE TO TAPE
LR44710 8MM
LEDTL/COB/8MM/CNCTR/T-T



TAPE TO CABLE
LR44711 8MM
LEDTL/COB/8MM/CNCTR/T-C



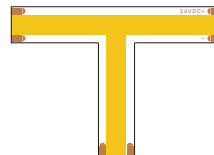
TAPE TO CABLE TO TAPE
LR44712 8MM
LEDTL/COB/8MM/CNCTR/T-C-T



LR45132 8MM
LEDTL/COB/3W/930/LEDCTR/L

LR45134 8MM
LEDTL/COB/3W/935/LEDCTR/L

LR45136 8MM
LEDTL/COB/3W/940/LEDCTR/L



LR45133 8MM
LEDTL/COB/3W/930/LEDCTR/T

LR45135 8MM
LEDTL/COB/3W/935/LEDCTR/T

LR45137 8MM
LEDTL/COB/3W/940/LEDCTR/T

COMPATIBLE CHANNELS *ALUMINUM CHANNEL REQUIRED FOR HEAT DISSIPATION

