

MODEL MSL10G-CC

NAME Pinpoint

10 Light Microspot Adjustable Recessed d

Providing contemporary and functional style to any space, the MSL Recessed Series with its glossy piano-black reflector is available in various styles and features.

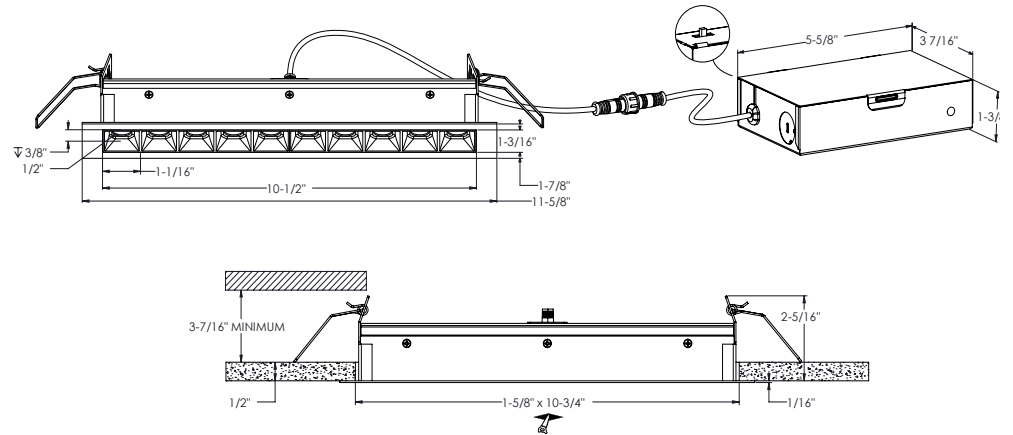
PROJECT

TYPE

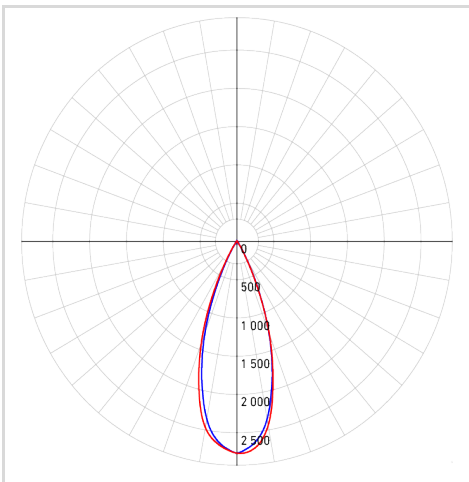
DATE

QTY

NOTES



LIGHT DISTRIBUTION



*Lumen output measured at 3000k

QUICK SPECS

Size	13"
Watts (W)	24
Delivered lumens*	1300
CRI	90
Voltage (v)	120
Beam angle (deg)	30
Cut hole size (in)	11-1/2 x 2-3/4
Lifespan (hrs)	50000
FT rating	FT6
Binning	3 SDCM
LED model	SMD 3535
Color temperature	2700K/3000K/3500K/4000K/5000K

ELECTRICAL DETAILS

Environment	Dry
Location	Indoor
Operating temp. (° C)	-20 to 40
IP rating	IP44
Input voltage (V)	108-135V
Output voltage (V)	29
Output current (mA)	667
Power factor (%)	99
Driver type	Constant current
THD	<30%
Certifications	ETL, FCC, ICES,

ORDERING GUIDE

MSL10G-CC	-		-	
		Voltage		Finish
		BLANK - 120v Triac dimming		WH - White ○
		V - 120-277-347V 0-10v dimming		BK - Black ●

CONSTRUCTION

Lens material	PC
Optic type	Clear lens
Finish type	Sandy
Housing material	Aluminum

WHAT'S IN THE BOX	ACCESSORIES	ADAPTORS
<ul style="list-style-type: none"> LED recessed fixture Junction box 3x Push-in wire connectors Mounting hardware Instruction sheet 	<ul style="list-style-type: none"> RFP-MSL10 Drilling plate 	<ul style="list-style-type: none"> REC-CC-EXT8FT 96" extension cord for recessed fixtures REC-CC-EXT20FT 240" extension cord for recessed fixtures

RECOMMENDED DIMMER LIST*

BRAND	MODEL	DIMMER SPECS	GRADE	MIN	MAX	MAX LOAD
Lutron	DVCL-153PR-WH-C*	Triac, 150 W Dimmable CFL/LED	Compatible	5	94	6
Lutron	CTCL-153PDH-WH-C*	Triac, 150 W Dimmable CFL/LED	Compatible	5	93	6
Lutron	STCL-153PH-WH-C*	Triac, 150 W Dimmable CFL/LED	Compatible	2	92	6
Lutron	DVLV-600P-BL	Magnetic Low Voltage, 450W	Compatible	12	92	19
Lutron	MACL-153MRHW-WHC*	Triac, 150 W Dimmable CFL/LED	Compatible	1	91	6
Lutron	MA-PRO-WH*	ELV, 250W LED/CFL	Compatible	2	91	10
Lutron	Caseta PD-5NE-WH-C*	ELV, LED—up to 250 W	Compatible	4	89	10
Lutron	Caseta PD-10NXD-WH*	Triac, LED—up to 250 W	Compatible	1	88	10
Leviton	DSM10-1LZ*	Triac, 450W Dimmable CFL/LED	Compatible	3	92	19
Leviton	DSL06-1LZ*	Triac, 150 W Dimmable CFL/LED	Compatible	6	93	6
Leviton	D26HD-742-1RW*	Triac, 300W LED/CFL	Compatible	8	96	13
Legrand	RHCL453PNICCV4*	Triac, 450W Dimmable CFL/LED	Compatible	7	92	19
Legrand	ADTP703TUM4*	Triac,450W Dimmable CFL/LED	Compatible	6	90	19
Legrand	ADPD453LM2*	Triac,450W Dimmable CFL/LED	Compatible	9	93	19
Control 4	C4-APD120-WH	ELV, 120W LED	Compatible	0	97	5
Control 4	C4-FPD120-WH	Triac, 200W LED	Compatible	0	97	8
TP-Link	HS220*	Triac, 150 W, Dimmable LED (MLV)	Compatible	4	97	6

*With Low-End Adjustment Feature

Minimal buzzing noise may occur with some dimmers

WARRANTY

DALS offers a 5-year warranty from the date of purchase which covers repairs or replacement of defective parts of the housing, optics, and electronics. To contact DAL'S customer service call 1-877-430-1818 or send an e-mail to info@dals.com.