

LUXRITE®

LED CANLESS - SPOTLIGHT

BOSTON COLLECTION

COMMERCIAL DOWNLIGHT

4"



LR23970

6"



LR23971

8"



LR23972

10"



LR23973



COLOR SELECTABLE

2700K 3000K 3500K 4000K 5000K

WATTAGE
SELECTABLE

3 OPTIONS

HIGH
OUTPUT

DUAL
DIMMING
TRIAC
0-10V

IC
RATED

WET
LOCATION
RATED

120-
277V

5
YEAR
WARRANTY



LR23970

LED/CDL4HO/3WO/5CCT/JB/UNV/DD



APERTURE	4"
DISTRIBUTION	FIXED
APPLICATION	NEW CONSTRUCTION/REMODEL

ELECTRICAL

POWER	6W/8W/10W - SELECTABLE
INPUT VOLTS	120-277V
INPUT CURRENT	90mA
FREQUENCY	50/60Hz
DIMMING TYPE	TRIAC/0-10V
DIMMING RANGE	10-100%
FEED WIRE GAUGE	22AWG
BREAKER SPECIFICATION *(15A @120V)	119pcs*

*Mathematically estimated value. Actual capacity may vary by breaker type and installation environment.

PHOTOMETRIC

COLOR CCT	2700K/3000K/3500K/4000K/5000K
CRI	90
LUMEN	600lm/800lm/1000lm
EFFICACY	100lm/w
BEAM ANGLE	80°

CERTIFICATIONS & SAFETY

LR23970	UL, ENERGY STAR, TITLE 24
WET LOCATION	YES
IC RATED	YES
OPERATING TEMP.	-13°F to 104°F
COST/YR	\$ 1.20
WARRANTY	5 YR

MATERIAL & APPLICATION

HEAT SINK	ALUMINUM
TRIM	ALUMINUM
LENS	PC
CUTOUT	Ø4.3"
MOUNTING TYPE	RECESSED
AREA OF APPLICATION	RESIDENTIAL, COMMERCIAL
CEILING TYPE	DRYWALL, WOOD

DRIVER

	POWER	INPUT VOLTS	INPUT CURRENT	FREQUENCY	INPUT POWER	OUTPUT VOLTAGE	DIMENSIONS	KNOCKOUTS
INCLUDED DRIVER	6W/8W/10W	120V	90mA	50/60Hz	10W max	36V DC	4.5"L X 2.55"W X 1.29"H	4

MODEL	DESCRIPTION	EM POWER	INPUT VOLTS	INPUT CURRENT	FREQUENCY	INPUT POWER	OUTPUT VOLTAGE	RECHARGE TIME	EMERGENCY TIME
LR35126**	LED/EMR/15W/AC/SF/E	15	100-347V	100mA	50/60Hz	12W max	170V DC	24HR	90MINS

*AMBIENT TEMPERATURE: 41°F ~ 122°F

**SOLD SEPARATELY

DIMENSIONS

CUTOUT: Ø4.3"

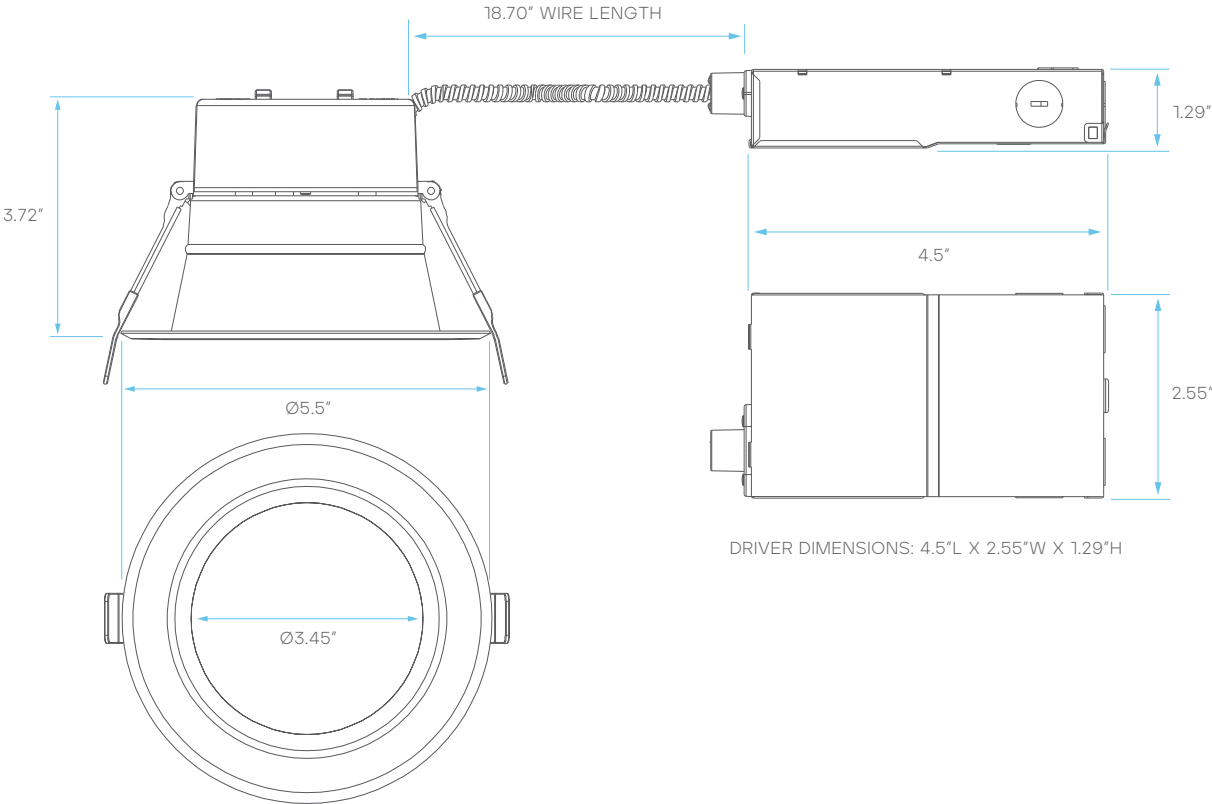
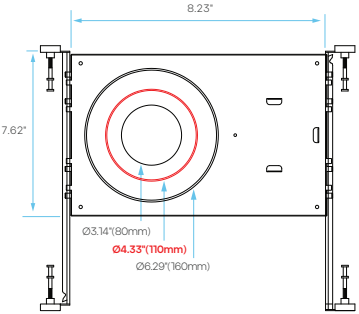


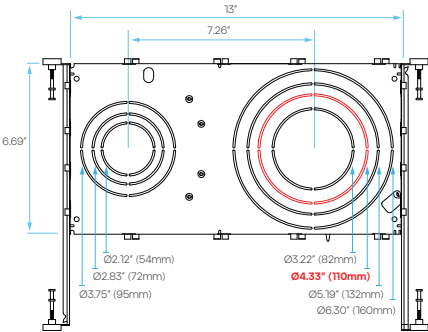
PLATE COMPATIBILITY*

*SOLD SEPARATELY

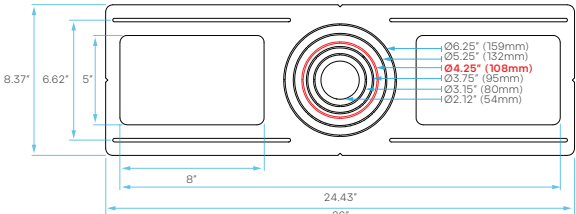
LR41002
KNOCKOUT
1



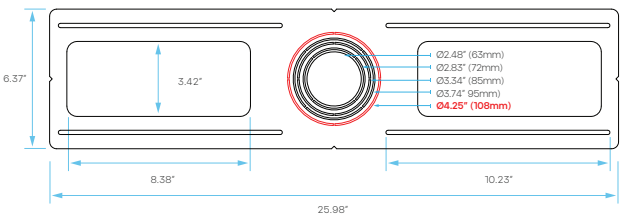
LR41010
KNOCKOUT
R1



LR41006
KNOCKOUT
3



LR41011
KNOCKOUT
4



LR23971

LED/CDL6HO/3WO/5CCT/JB/UNV/DD



APERTURE	6"
DISTRIBUTION	FIXED
APPLICATION	NEW CONSTRUCTION/REMODEL

ELECTRICAL

POWER	10W/17W/21W - SELECTABLE
INPUT VOLTS	120-277V
INPUT CURRENT	175mA
FREQUENCY	50/60Hz
DIMMING TYPE	TRIAC/0-10V
DIMMING RANGE	10-100%
FEED WIRE GAUGE	22AWG
BREAKER SPECIFICATION *(15A @120V)	57pcs*

*Mathematically estimated value. Actual capacity may vary by breaker type and installation environment.

PHOTOMETRIC

COLOR CCT	2700K/3000K/3500K/4000K/5000K
CRI	90
LUMEN	1000lm/1800lm/2500lm
EFFICACY	119lm/w
BEAM ANGLE	80°

CERTIFICATIONS & SAFETY

LR23971	UL, ENERGY STAR, TITLE 24
WET LOCATION	YES
IC RATED	YES
OPERATING TEMP.	-13°F to 104°F
COST/YR	\$ 2.52
WARRANTY	5 YR

MATERIAL & APPLICATION

HEAT SINK	ALUMINUM
TRIM	ALUMINUM
LENS	PC
CUTOUT	Ø5.51"
MOUNTING TYPE	RECESSED
AREA OF APPLICATION	RESIDENTIAL, COMMERCIAL
CEILING TYPE	DRYWALL, WOOD

DRIVER

	POWER	INPUT VOLTS	INPUT CURRENT	FREQUENCY	INPUT POWER	OUTPUT VOLTAGE	DIMENSIONS	KNOCKOUTS
INCLUDED DRIVER	10W/17W/21W	120-277V	175mA	50/60Hz	21W max	36V DC	4.5"L X 2.55"W X 1.29"H	4

MODEL	DESCRIPTION	EM POWER	INPUT VOLTS	INPUT CURRENT	FREQUENCY	INPUT POWER	OUTPUT VOLTAGE	RECHARGE TIME	EMERGENCY TIME
LR35126**	LED/EMR/15W/AC/SF/E	15	100-347V	100mA	50/60Hz	12W max	170V DC	24HR	90MINS

*AMBIENT TEMPERATURE: 41°F ~ 122°F

**SOLD SEPARATELY

DIMENSIONS

CUTOUT: Ø5.51"

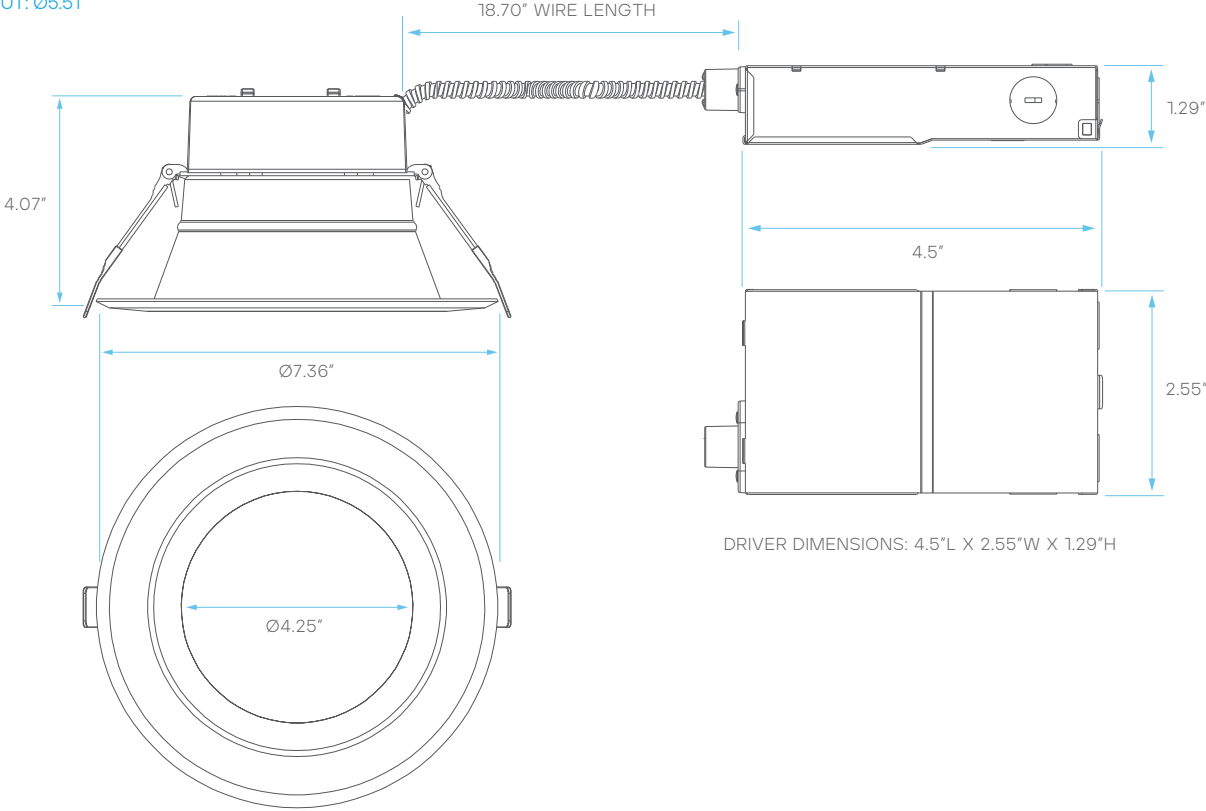
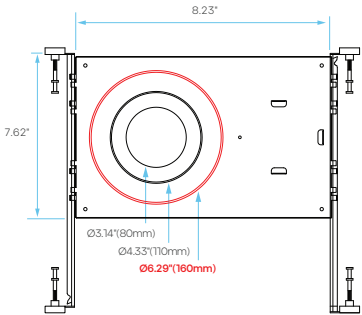


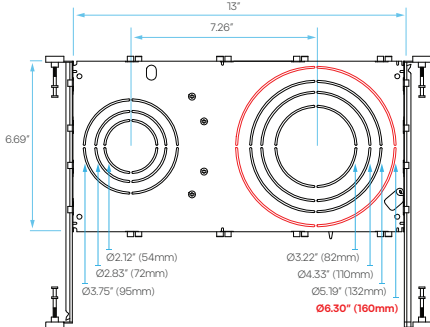
PLATE COMPATIBILITY*

*SOLD SEPARATELY

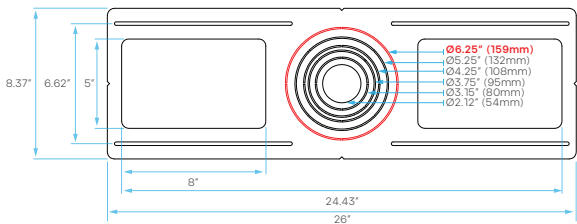
**LR41002
KNOCKOUT
2**



**LR41010
KNOCKOUT
R3**



**LR41006
KNOCKOUT
5**



LR23972

LED/CDL8HO/3WO/5CCT/JB/UNV/DD



APERTURE	8"
DISTRIBUTION	FIXED
APPLICATION	NEW CONSTRUCTION/REMODEL

ELECTRICAL

POWER	16W/24W/30W - SELECTABLE
INPUT VOLTS	120-277V
INPUT CURRENT	250mA
FREQUENCY	50/60Hz
DIMMING TYPE	TRIAC/0-10V
DIMMING RANGE	10-100%
FEED WIRE GAUGE	22AWG
BREAKER SPECIFICATION *(15A @120V)	39pcs*

*Mathematically estimated value. Actual capacity may vary by breaker type and installation environment.

PHOTOMETRIC

COLOR CCT	2700K/3000K/3500K/4000K/5000K
CRI	90
LUMEN	1800lm/2700lm/3500lm
EFFICACY	117lm/w
BEAM ANGLE	80°

CERTIFICATIONS & SAFETY

LR23972	UL, ENERGY STAR, TITLE 24
WET LOCATION	YES
IC RATED	NO
OPERATING TEMP.	-13°F to 104°F
COST/YR	\$ 3.61
WARRANTY	5 YR

MATERIAL & APPLICATION

HEAT SINK	ALUMINUM
TRIM	ALUMINUM
LENS	PC
CUTOUT	Ø7.28"
MOUNTING TYPE	RECESSED
AREA OF APPLICATION	RESIDENTIAL, COMMERCIAL
CEILING TYPE	DRYWALL, WOOD

DRIVER

	POWER	INPUT VOLTS	INPUT CURRENT	FREQUENCY	INPUT POWER	OUTPUT VOLTAGE	DIMENSIONS	KNOCKOUTS
INCLUDED DRIVER	16W/24W/30W	120-277V	250mA	50/60Hz	30W max	36V DC	4.5"L X 2.55"W X 1.29"H	4

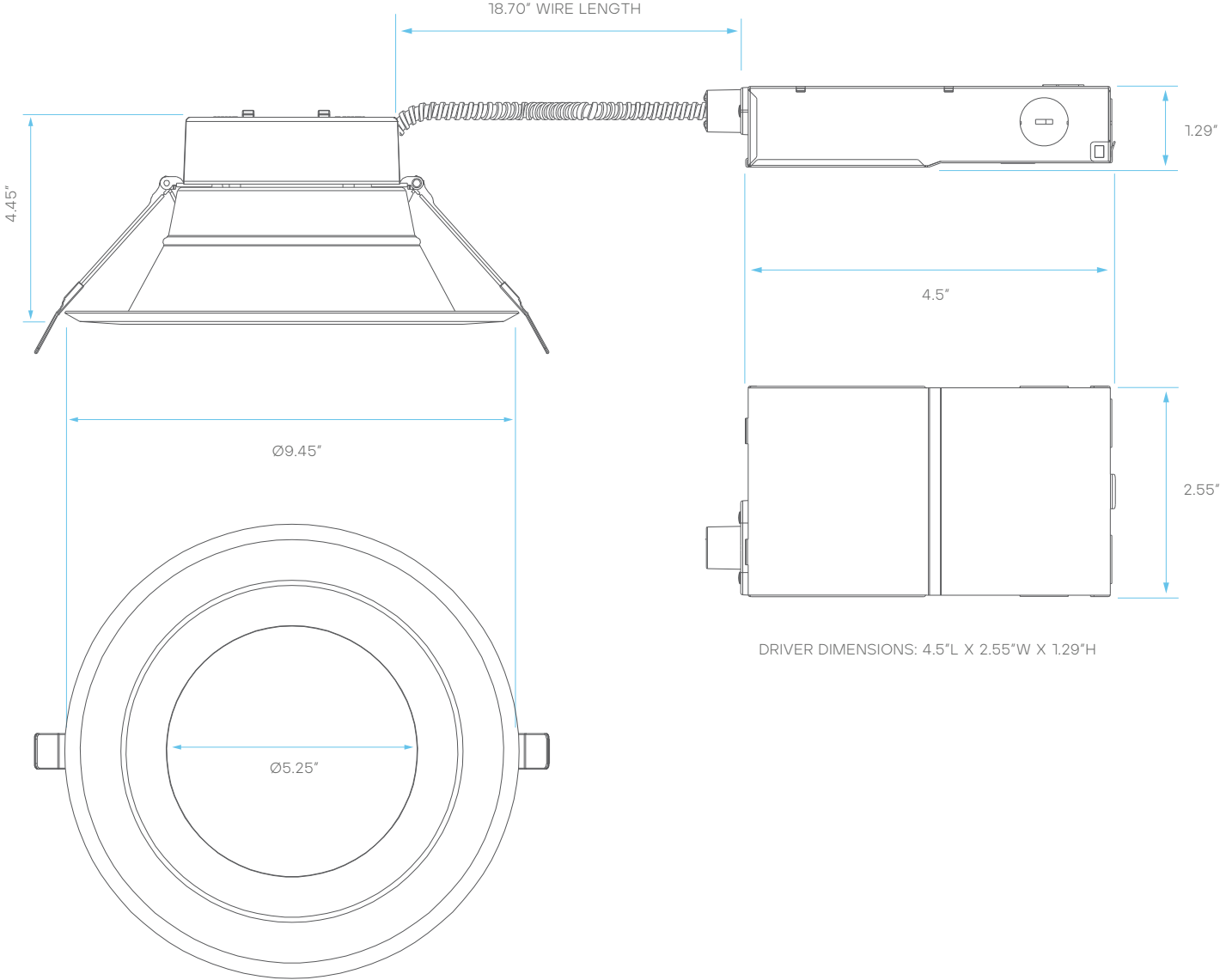
MODEL	DESCRIPTION	EM POWER	INPUT VOLTS	INPUT CURRENT	FREQUENCY	INPUT POWER	OUTPUT VOLTAGE	RECHARGE TIME	EMERGENCY TIME
LR35126**	LED/EMR/15W/AC/SF/E	15	100-347V	100mA	50/60Hz	12W max	170V DC	24HR	90MINS

*AMBIENT TEMPERATURE: 41°F ~ 122°F

**SOLD SEPARATELY

DIMENSIONS

CUTOUT: Ø7.28"



LR23973

LED/CDL10HO/3WO/5CCT/JB/UNV/DD



APERTURE	10"
DISTRIBUTION	FIXED
APPLICATION	NEW CONSTRUCTION/REMODEL

ELECTRICAL

POWER	24W/30W/37W - SELECTABLE
INPUT VOLTS	120-277V
INPUT CURRENT	310mA
FREQUENCY	50/60Hz
DIMMING TYPE	TRIAC/0-10V
DIMMING RANGE	10-100%
FEED WIRE GAUGE	22AWG
BREAKER SPECIFICATION *(15A @120V)	32pcs*

*Mathematically estimated value. Actual capacity may vary by breaker type and installation environment.

PHOTOMETRIC

COLOR CCT	2700K/3000K/3500K/4000K/5000K
CRI	90
LUMEN	2800lm/3500lm/4500lm
EFFICACY	122lm/w
BEAM ANGLE	80°

CERTIFICATIONS & SAFETY

LR23973	UL, ENERGY STAR, TITLE 24
WET LOCATION	YES
IC RATED	YES
OPERATING TEMP.	-13°F to 104°F
COST/YR	\$ 4.45
WARRANTY	5 YR

MATERIAL & APPLICATION

HEAT SINK	ALUMINUM
TRIM	ALUMINUM
LENS	PC
CUTOUT	Ø8.07"
MOUNTING TYPE	RECESSED
AREA OF APPLICATION	RESIDENTIAL, COMMERCIAL
CEILING TYPE	DRYWALL, WOOD

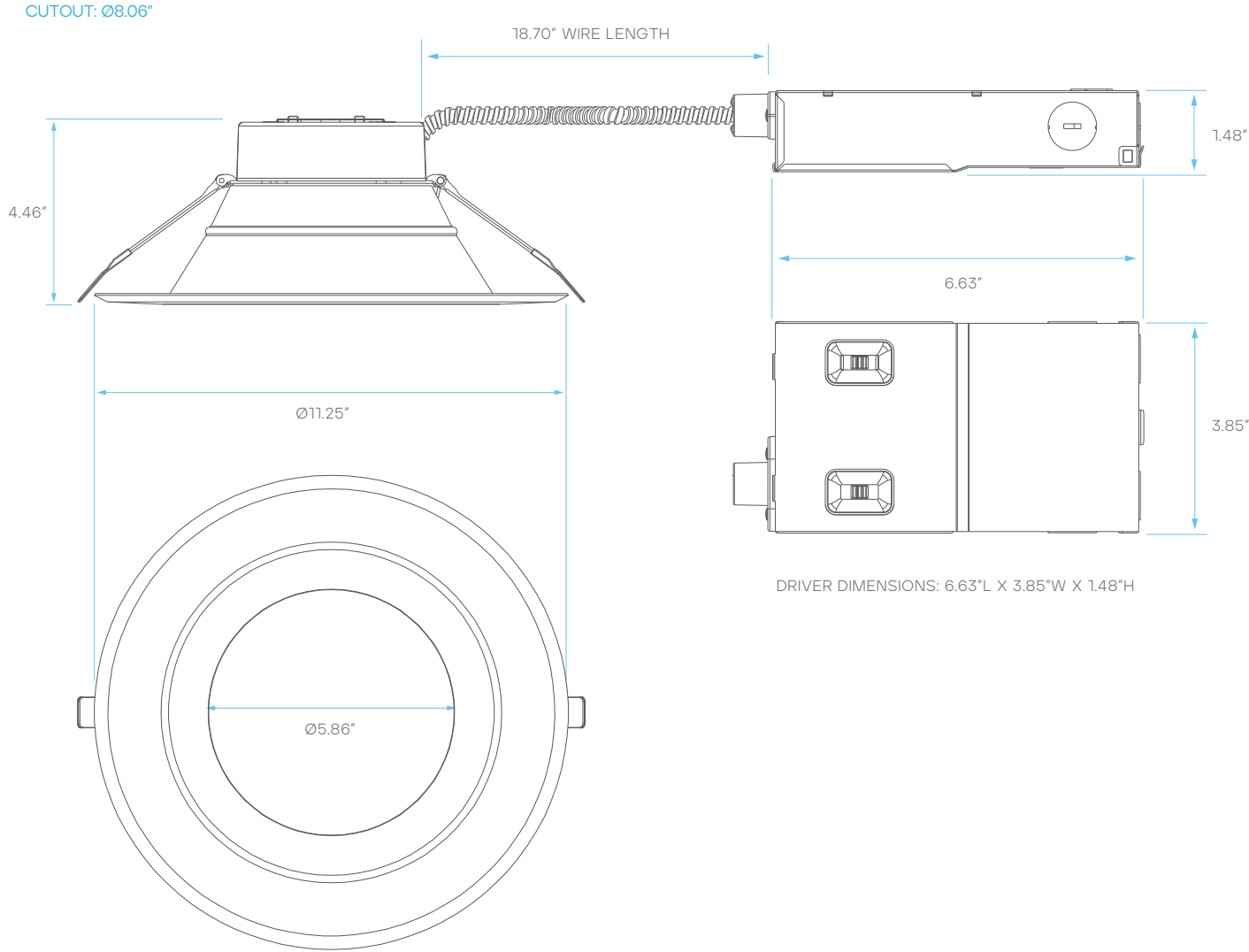
DRIVER

	POWER	INPUT VOLTS	INPUT CURRENT	FREQUENCY	INPUT POWER	OUTPUT VOLTAGE	DIMENSIONS	KNOCKOUTS
INCLUDED DRIVER	24W/30W/37W	120-277V	310mA	50/60Hz	37W max	36V DC	6.63"L X 3.85"W X 1.48"H	4

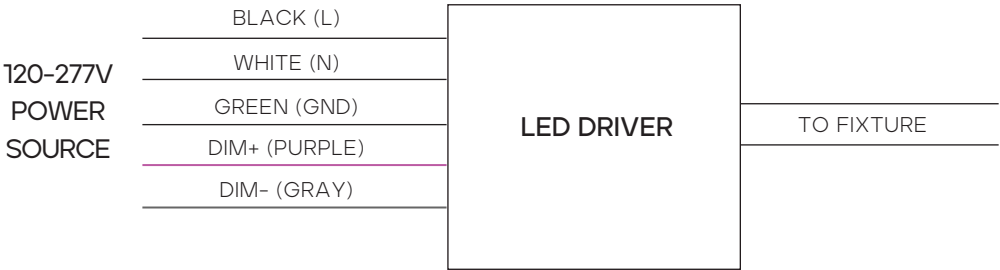
MODEL	DESCRIPTION	EM POWER	INPUT VOLTS	INPUT CURRENT	FREQUENCY	INPUT POWER	OUTPUT VOLTAGE	RECHARGE TIME	EMERGENCY TIME
LR35126**	LED/EMR/15W/AC/SF/E	15	100-347V	100mA	50/60Hz	12W max	170V DC	24HR	90MINS

*AMBIENT TEMPERATURE: 41°F ~ 122°F
*SOLD SEPARATELY

DIMENSIONS



WIRING DIAGRAM



SUGGESTED COMPATIBLE DIMMER*

TRIAC DIMMING*

LUTRON	CTCL-153P
	DVCL-153PDH
	DVCL-153P
LEVITON	6672
	6674
PASS & SEYMOUR	HCL453PTCCCV6

0-10V DIMMING*

LUTRON	DIVA - DVTV
	DIVA - NFTV
	NOVA T - NTFTV
LEVITON	ILLUMATECH - IP7
LIGHTOLIER CONTROLS	ZP600FAM120
PHILIPS	SR1200ZTUNV

*Dimmer performance may vary based on load, wiring, and installation conditions. Inclusion on this chart does not guarantee compatibility for every installation, and omission does not indicate incompatibility. Refer to the dimmer manufacturer's installation instructions and verify minimum load requirements to avoid field issues.

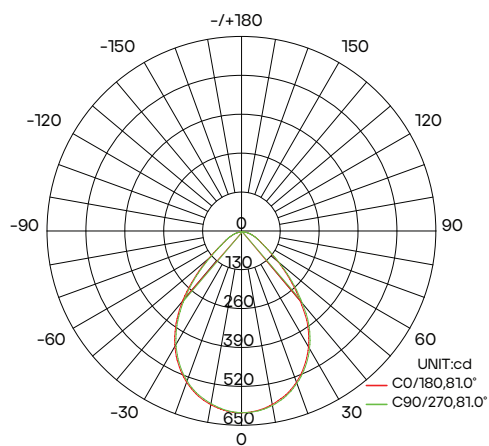
PACKAGING

MODEL	STYLE	INNER BOX DIMENSIONS	MASTER CARTON DIMENSIONS	CASE
LR23970	INNER BOX + MASTER CARTON	5.82" X 5.82" X 6.14"	12" X 6.10" X 12.83"	4
LR23971	INNER BOX + MASTER CARTON	7.67" X 7.67" X 4.72"	15.75" X 7.95" X 10.03"	4
LR23972	INNER BOX + MASTER CARTON	9.76" X 9.76" X 5.90"	20" X 10.03" X 12.40"	4
LR23973	INNER BOX + MASTER CARTON	11.61" X 11.61" X 5.31"	23.62" X 11.89" X 11.22"	4

LuxiFlow™ PHOTOMETRICS

Luxrite® LuxiFlow® tool is for informational purposes only, it is not intended to provide lighting or electrical advise.

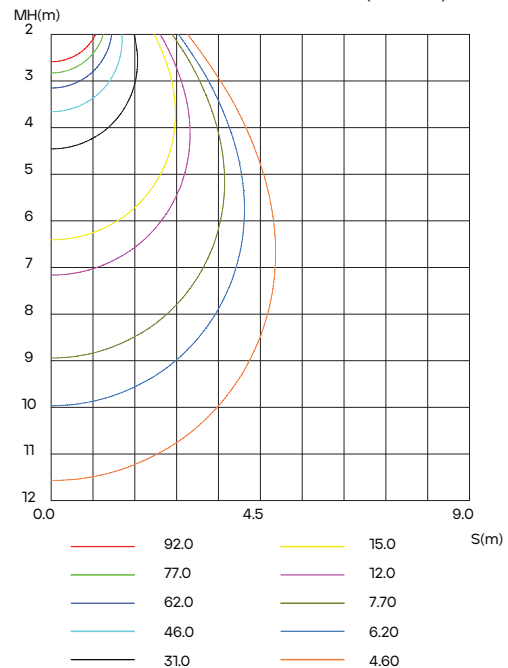
LUMINOUS INTENSITY DISTRIBUTION DIAGRAM



AVERAGE BEAM ANGLE(50%): 81.0 DEG

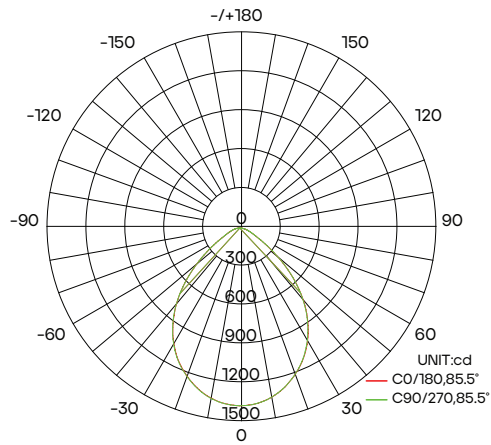
*DIAGRAM SHOWING LR23970 AT 2700K - 10W

C0 PLANE ISOLUX DIAGRAM (UNIT:lx)



Luxrite® Luxiflow® tool is for informational purposes only, it is not intended to provide lighting or electrical advise.

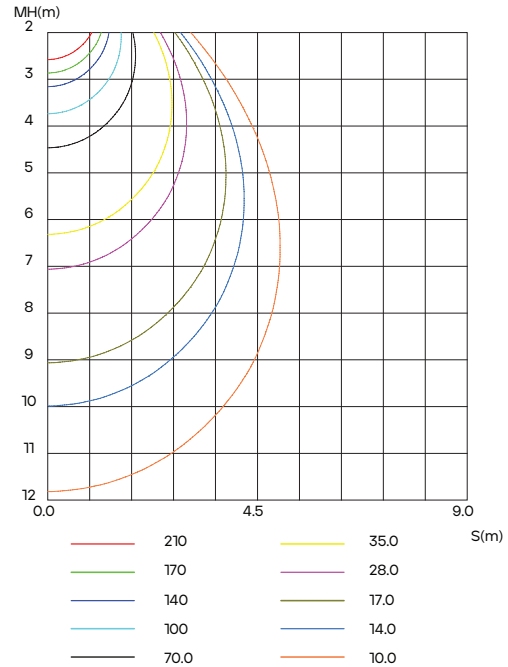
LUMINOUS INTENSITY DISTRIBUTION DIAGRAM



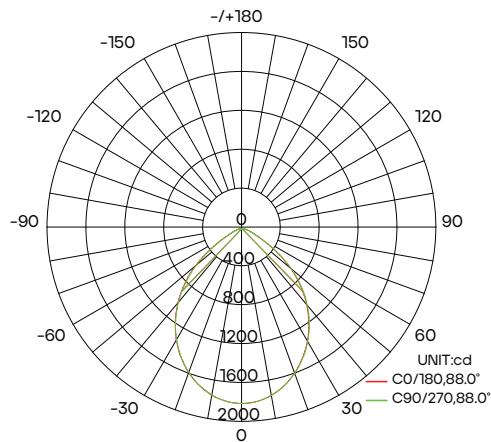
AVERAGE BEAM ANGLE(50%): 85.5 DEG

*DIAGRAM SHOWING LR23971 AT 2700K - 20W

C0 PLANE ISOLUX DIAGRAM (UNIT:lx)



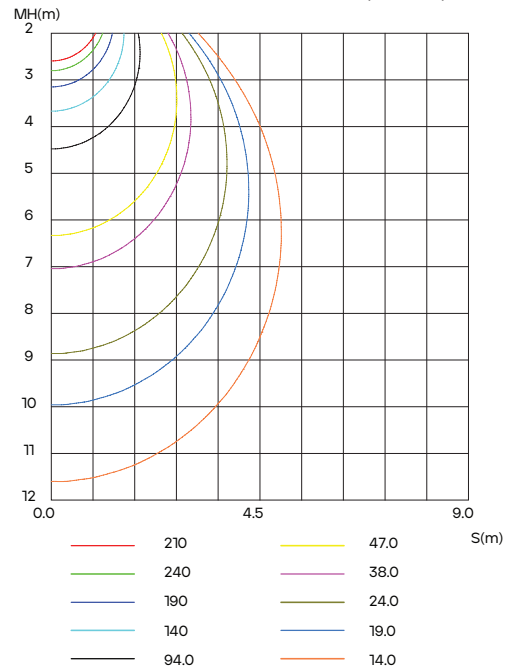
LUMINOUS INTENSITY DISTRIBUTION DIAGRAM



AVERAGE BEAM ANGLE(50%): 88.0 DEG

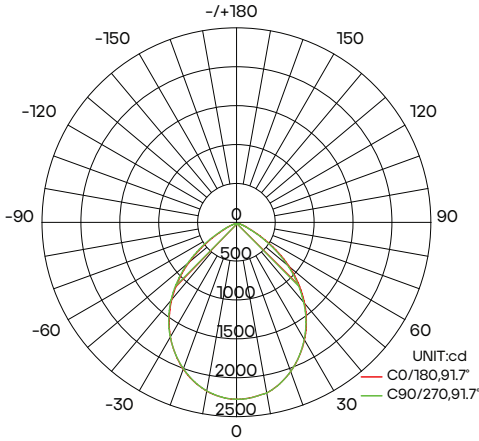
*DIAGRAM SHOWING LR23972 AT 2700K - 30W

C0 PLANE ISOLUX DIAGRAM (UNIT:lx)



Luxrite® Luxiflow® tool is for informational purposes only, it is not intended to provide lighting or electrical advice.

LUMINOUS INTENSITY DISTRIBUTION DIAGRAM



AVERAGE BEAM ANGLE(50%): 91.7 DEG

*DIAGRAM SHOWING LR23973 AT 2700K - 37W

C0 PLANE ISOLUX DIAGRAM (UNIT:lx)

