

CASAMBI



VersaDrive Wireless Specification Sheet

**96W, 24V Constant Voltage Driver,
Wireless Switching & Dimming with
Integrated Casambi Module**

120-277V

24VDC

SELV

CLASS 2

DIM DOWN TO 1%
DIMMABLE

PWM
DIM

UL
LISTED

MEETS TITLE 24/JAB REQUIREMENTS

FC

RoHS
Compliant



Key Features

- Integrated pre-wired Casambi CBU-ARP-LR wireless module
- Casambi Bluetooth controls ecosystem compatible
- Control via Casambi app or Xpress-LR wall switch
- Adaptable, labor saving installations - no cutting holes or running wire for wall controls
- Compatible with High Density & COB LED products
- Constant power overload protection reduces field issues due to wire voltage or variation in LED tape

Specification Overview

- Smooth, flicker-free dimming down to 1%
- PWM output dimming method
- On-Off switching and dim-to-off with <4W standby power
- Universal input voltage 120 to 277VAC
- Constant Voltage 24VDC output
- 22VDC Aux Output (connect to occupancy sensors, etc.)
- UL Listed, dry location only
- 5-year warranty

ORDERING INFORMATION

Part Number	Description
VAWCA96L24DC	VersaDrive Wireless, Casambi, 96W, 24VDC, 120-277VAC



Xpress-LR wall switch

Bluetooth control with the Casambi App, Casambi Xpress-LR wall switch, and other Casambi enabled controls.

Casambi controls sold by other.



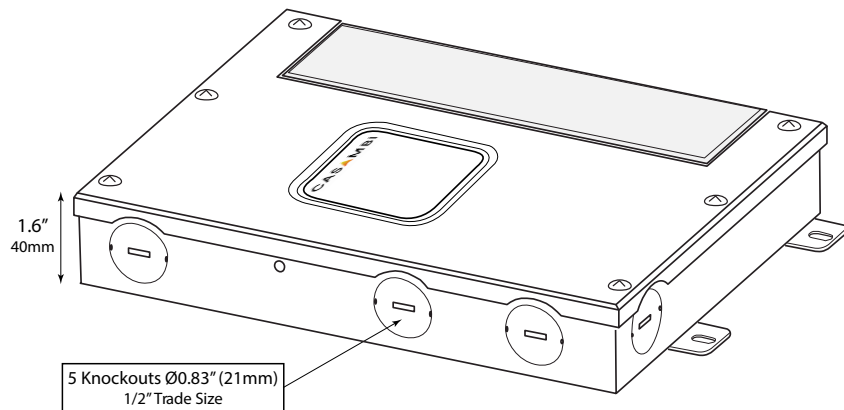
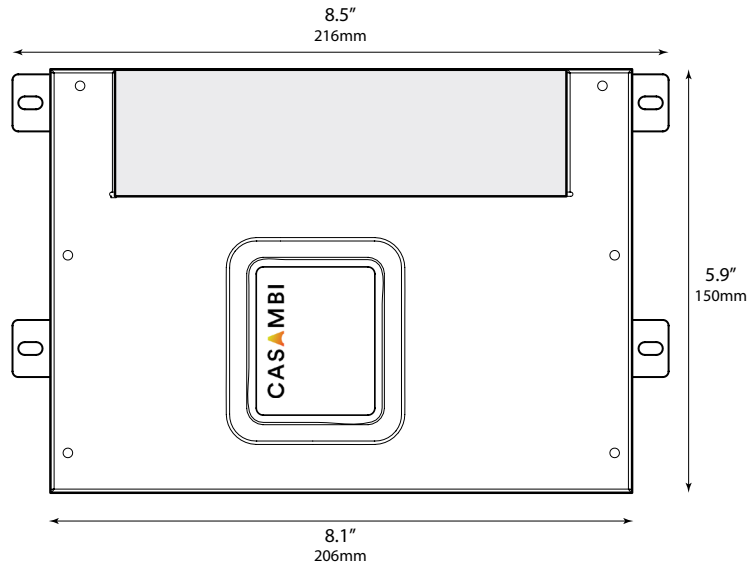
ENCLOSURE DETAILS

Dimensions	Material	Finish	Environmental
8.5" W x 5.9" H x 1.6" D (216mm x 150mm x 40mm)	Stamped Steel	Powder Coat	Indoor, Dry Location

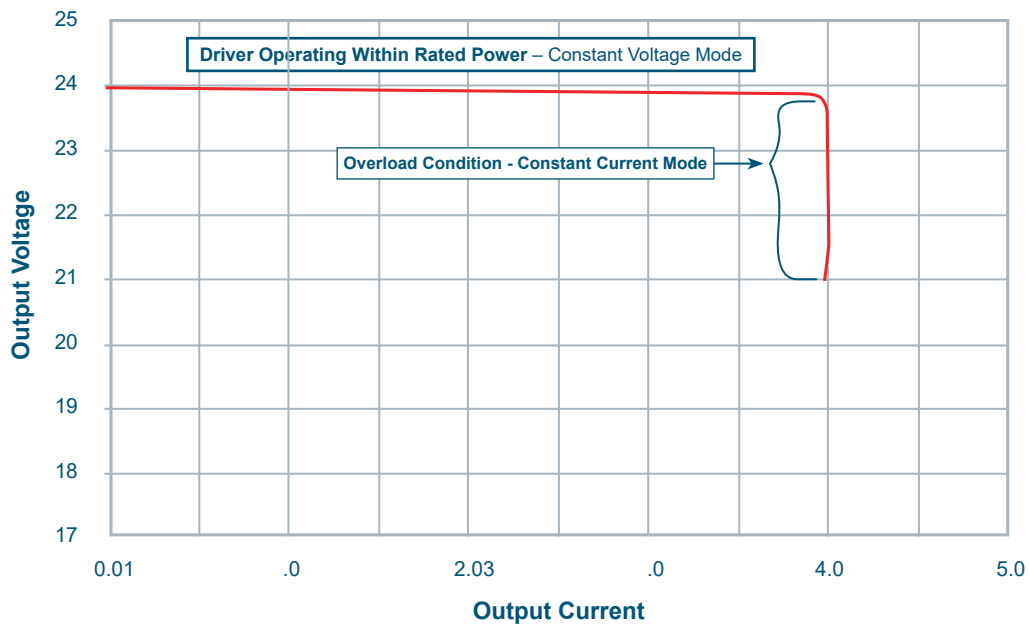
SPECIFICATIONS

Input	
Input Voltage Range	120 to 277VAC \pm 10%
Input Frequency	50 / 60Hz
Input Current	1.14A @ 120V, 0.51A @ 277V
Inrush Current	80A @ 277V
Efficiency	84% @120V, 85% @ 277V
Power Factor	> 0.94 @ Max Load
THD	< 20% @ Max Load
Output	
Output Voltage	24VDC Constant Voltage
Max Load	96W
Output Current @ Maximum Load	4.0A
Output Dimming Method	PWM
Flicker	California Title 24 / JA8
Output Ripple (Peak-to-Peak)	< 9%
Line Regulation	\pm 5%
Load Regulation	\pm 5%
Turn On Delay Time	< 0.5 sec
Auxiliary Output Voltage	22VDC
Environmental	
Ambient Operating Temperature	-40°C to 60°C / (-40°F to 140°F)
Maximum Case Temp. (Tcase)	90°C (194°F)
Storage Temperature	-40°C to +85°C / (-40°F to 185°F)
Enclosure	IP20, Indoor Location
Expected Lifetime	\geq 85,000 hrs @Tc \leq 60°C
Dimming	
Dimming Style	0-10V PWM
Minimum Dimming Level	1% w/ Dim to Off
Minimum Load for Dimming	8W
Dimming Curve	Linear
Protection	
Over Current Protection	Yes
Over Voltage Protection	Yes
Over Temperature Protection	Yes / Auto-Recovery
Overload Protection	Yes / Current Limit
Short Circuit Protection	Yes / Hiccup Mode Auto-Recovery
Connectors	
Lever Style Connectors	Pre-installed WAGO lever nuts on all wire leads
Connector Listing	UL
Approval Markings & Certifications	
Listing	UL8750
Certifications	Class 2

MECHANICAL DIAGRAMS



CURRENT LIMITING PROTECTION



- With VersaDrive, installers and designers can use LED lighting loads that match it's full rated power. No derating is required
- VersaDrive's current limiting protection avoids the problem of unwanted flashing or shut down due to the LED driver being at or near it's maximum rated output
- This protection feature makes slight reduction to the output voltage, but the current stays constant. It's the same effect as barely dimming the output to stay at the rated power
- The driver will not shut down upon an overload condition; no blinking lights and no driver resets

WIRING DIAGRAMS

