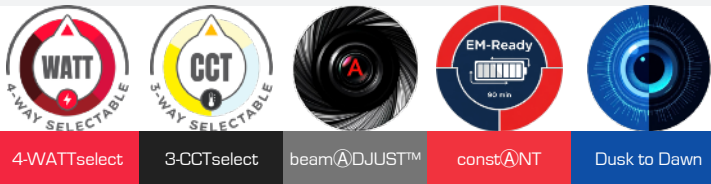


luxo **ARCH** **PRO**
LWPC | Nightwatch
Product Data Sheet



COMMERCIAL-GRADE

Full-Cutoff Wall Pack



Product Overview

INTENDED USE: Engineered for building perimeters, entryways, pathways, and commercial security lighting where full-cutoff performance is required to minimize glare and eliminate uplight. Ideal for upgrading legacy HID wall packs (up to 400W MH equivalent) with high-efficacy LED illumination and optional controls.

CONSTRUCTION: Rugged, weather-resistant two-piece die-cast aluminum housing secures the thermally conductive LED board and isolated driver chamber for optimized heat management and long life. Designed for demanding outdoor environments and suitable for extreme applications requiring 3G testing per ANSI C136.31. Mounts directly to wall or standard J-box. UL/cUL Wet Location listed. Available in Dark Bronze and Black finishes.

OPTICS: Full-cutoff, fully shielded design delivers controlled forward throw with zero uplight. Scalable performance from 3,800 to 20,000 lumens with high efficacy (up to ~150 lm/W). Available in 3000K / 4000K / 5000K; select models feature field-selectable CCT and field-selectable lumen output (100% / 80% / 60% / 40%). Prismatic optics ensure uniform distribution and glare control.

ELECTRICAL: Universal 120-277Vac input. 1-10V dimming standard (PF > 0.9, THD < 20%). Operating temperature -40°C to 40°C (-40°F to +104°F); with emergency battery, range varies by configuration. Optional photocell and microwave sensor controls available.

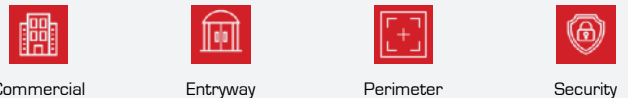
WARRANTY: 5-year limited warranty with comprehensive commercial-grade support.

ARCHIPELAGO luminaires and LED components undergo rigorous testing by an independent laboratory to meet IESNA LM-79 and LM-80 standards for light output and lumen maintenance. LED color temperature is warranted to shift no more than 180K over the standard warranty period. Correlated Color Temperature (CCT) follows the guidelines set forth in the American National Standard for Specifications for the Chromaticity of Solid State Lighting (SSL) Products, ANSI C78.377-2017.

Project Details

Project Name: _____ Project Number: _____
 Fixture Schedule: _____ Notes: _____

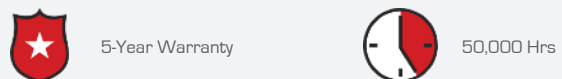
Applications



Main Features

- **Full-Cutoff Design:** Precision optics deliver controlled forward throw with zero uplight, minimizing glare and light trespass while meeting dark-sky compliance for perimeter and security applications.
- **Advanced Driver Technology:** Integrated constant-current driver with 1-10V dimming delivers precise illumination control. Premium LED components ensure superior light quality and consistency.
- **Thermal Excellence:** Two-piece die-cast aluminum housing with optimized thermal management ensures superior heat dissipation and extended operational life in demanding outdoor environments.
- **Field-Selectable Technology:** 3-CCTselect (3000K / 4000K / 5000K) and wattage-selectable options provide on-site tuning flexibility and reduce inventory complexity.
- **Weather-Resistant Construction:** UL/cUL Wet Location listed with advanced sealing ensures reliable performance in wet locations, protecting internal components from moisture and contaminants.
- **Smart Installation:** Integrated mounting plate with conduit entries and direct wall/J-box mounting reduces installation time.
- **Optical Performance:** Precision-engineered prismatic lens delivers uniform distribution with controlled beam angle, minimizing glare for entryways, pathways, and security applications.
- **Extreme Temperature Resilience:** Engineered for ambient temperatures -40°F to 104°F, suitable for diverse climate zones.

Product Warranty*



* Standard warranty. Extended warranty available.

Highlights

Features	Description
4-WATTselect™	Field-selectable output (100% / 80% / 60% / 40%) for on-site tuning to match application needs.
3-CCTselect™	Field-selectable CCT (3000K / 4000K / 5000K) reduces SKU complexity while maintaining spec flexibility.
beamADJUST™-Ready	Field-adjustable forward throw to optimize light placement and reduce glare along perimeters for select models.
constANT-Ready	Supports optional emergency lighting for code-driven applications and outage continuity.
darkARCH	Dark-sky-conscious design approach to reduce uplight and help minimize sky glow in exterior applications.
Photocell-Ready	Integrated dusk-to-dawn control for automatic operation and energy savings.
thermalARMOR	Optimized thermal pathway maintains LED performance and long-term lumen consistency.
WetGuard	Weather-sealed construction protects components from moisture for reliable outdoor operation.

Key Specifications

- **LED Chip:** Premium SMD LED, scalable 4,400–20,200 lumens
- **Operating Temperature:** –40°F to 104°F
- **Surge Protection:** Built-in surge protection
- **Input Voltage:** 120–277Vac, 50/60Hz
- **Color Consistency:** <7 SDCM across CCT range
- **IP Rating:** IP65 Wet Location; UL/cUL Listed
- **Housing:** Two-piece die-cast aluminum
- **Dimming:** 1–10V standard
- **Efficacy:** Up to 150 lm/W
- **Power Range:** 24W–135W (model dependent)
- **Power Factor:** ≥0.9, THD: ≤20%, CRI: >70

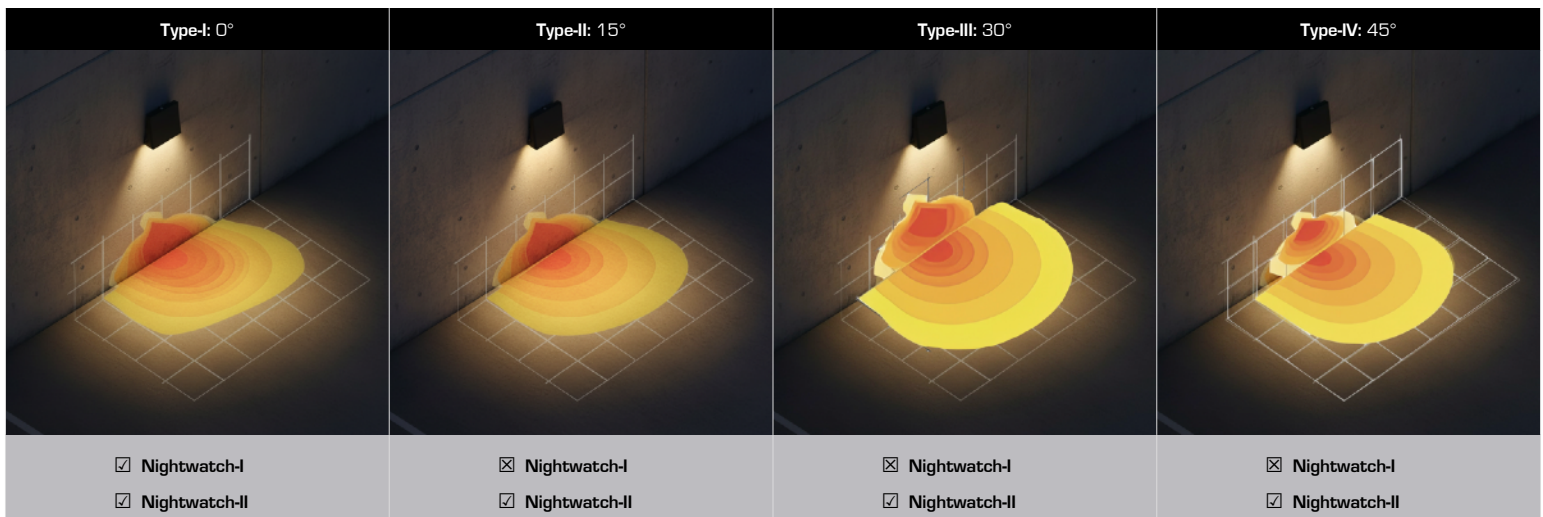
Certifications

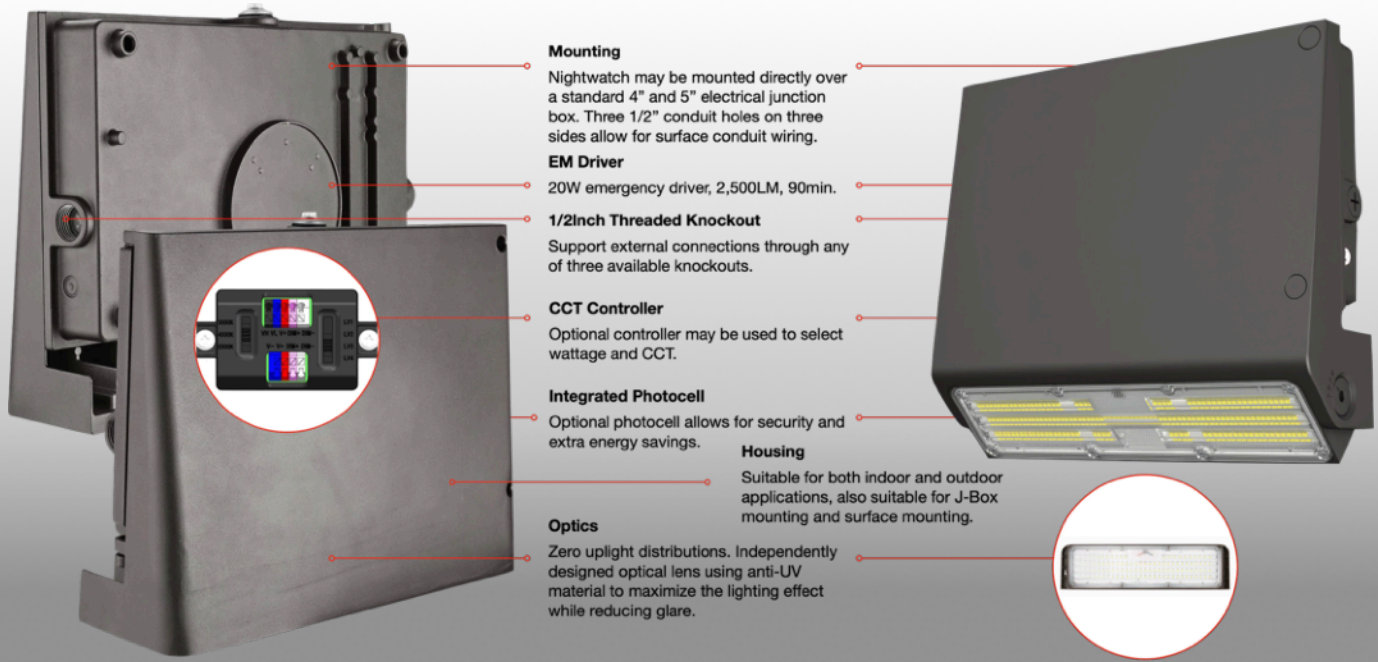


Model Specifications

Model Series	WATTselect [W]	Max Lumens (LM)	Efficacy	Optics	CCTselect	Voltage [V]	Finish	Photocell
LWPC38	17W/23W/ 31W/38W*	5,700 lm	150 lm/W	Type-I	3000K / 4000K / 5000K *	120-277Vac	Bronze* Black	Photocell Ready (Sensor Cap Included)
LWPC65	24W/35W/ 50W/65W*	9,800 lm	151 lm/W					
LWPC100	43W/62W/ 85W/100W*	14,950 lm	150 lm/W					
LWPC135	54W/80W/ 110W/135W*	20,200 lm	149 lm/W					
LWPC30	12W/18W/ 24W/30W*	4,400 lm	147 lm/W	beamADJUST™ Type-I Type-II Type-III Type-IV				
LWPC60	24W/36W/ 48W/60W*	8,400 lm	140 lm/W					
LWPC100	40W/60W/ 80W/100W*	15,000 lm	150 lm/W					

* Default settings.





Ordering Guide¹

Model Series	Wattage [W]	CCTselect [K]	Series	Voltage [V]	Finish	Distribution	Photocell		
LWPC LED Full-Cutoff Wall Pack	38 QuickShip 17W/23W/31W/38W	S3 QuickShip 3000K 4000K 5000K	N QuickShip Nightwatch-I	U QuickShip Universal Voltage 120-277V	D QuickShip Dark Bronze	<blank> QuickShip Type-I	PSB QuickShip Integrated Photocell		
	65 QuickShip 24W/35W/50W/65W								
	100 QuickShip 43W/62W/85W/100W								
	135 QuickShip 54W/80W/110W/135W								
	30 QuickShip 12W/18W/24W/30W							N2 QuickShip Nightwatch-II	BA QuickShip beamADJUST™ 0° / 15° / 30° / 45°
	60 QuickShip 24W/36W/48W/60W								
	100 QuickShip 40W/60W/80W/100W								

CATALOG #:

LWPC	-	S3	-	U		/	PSB
------	---	----	---	---	--	---	-----

Accessory Guide

constANT | Emergency Battery Backup

EM20 QuickShip
20W BBU

Photocell

PSB QuickShip
Button Photocell Sensor

OPTIONAL ACCESSORIES #:

--	--

Performance Data

Max System Watts	3000K		4000K		5000K	
	Lumens	Efficacy	Lumens	Efficacy	Lumens	Efficacy
30W	4,200 lm	140 lm/W	4,400 lm	147 lm/W	4,300 lm	143 lm/W
38W	5,600 lm	147 lm/W	6,000 lm	158 lm/W	5,700 lm	150 lm/W
60W	7,800 lm	130 lm/W	8,400 lm	140 lm/W	8,200 lm	137 lm/W
65W	9,500 lm	146 lm/W	10,000 lm	154 lm/W	9,700 lm	149 lm/W
100W	14,800 lm	148 lm/W	15,500 lm	155 lm/W	15,000 lm	150 lm/W
135W	19,000 lm	141 lm/W	20,000 lm	148 lm/W	20,000 lm	148 lm/W

Sizing & Measurements

Model Series	LWPC38 LWPC65	LWPC100 LWPC135	LWPC30 LWPC60	LWPC100
Width (in)	13.1	13.2	10.3	13.1
Height (in)	9.6	9.6	10.9	10.9
Depth (in)	3.8	5.0	3.7	3.7

What is in the Box?

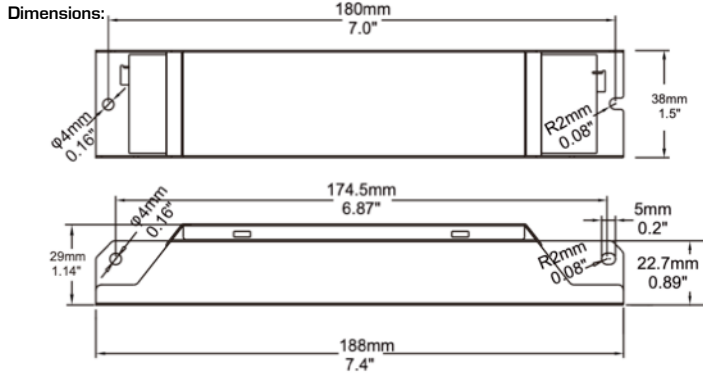



SEAMLESS INTEGRATION FOR NEW CONSTRUCTION AND LARGE-SCALE PROJECTS

constANT Factory-Install emergency battery backups are pre-installed and factory-tested for plug-and-play deployment. Ideal for new construction, large commercial projects, and applications requiring guaranteed performance out of the box. Eliminate on-site installation time while ensuring every fixture arrives code-compliant and ready for immediate operation.

LOW-POWER

Ordering Code	Model	Input Voltage	Output Voltage	Output Power	ArticGuard ¹	Extended ²	constANTLink ³	Application
EM20	EM20-CMB/260DC	100-347Vac	90-260Vdc	20W	Yes ¹	No	No	lamparARCH



Wiring Diagram:

