

# LUNA

3.5" Square Fixed, 850 Lumens, 12 Watts  
Recess Lighting

Job Information		
Project Name		Type
Location		
Quantity		Date
Contact/Phone		
Notes		

## Features

### Body

Durable airtight fixed aluminum body. Includes anodized blue heat sink to provide maximum airflow for the LED light source.

### LED Characteristics

This general application light fixture features a 12 watt LED module that maintains uniform intensity producing up to 850 lumens; with a typical CRI of 90. Available with 2700 K, 3000 K, 3500 K, 4000 K or 5000 K selectable color temperature.

### Dimming

100%-10% dimming capability. This fixture is compatible with industry standard TRIAC/ELV dimmers. For compatible dimmers, visit [www.liteline.com/lunadimmers](http://www.liteline.com/lunadimmers)

### Beam Spread

The fixture lens provides 40° beam spread.

### Mounting

Includes two spring loaded clips to attached to any ceiling material.

### LED Driver

Extruded aluminum hardwire box with 300mA dimmable class II electronic LED driver with 100-135V AC input. Includes an 18" FT6 rated cable with DC 2.1 connector between driver and fixture approved for use in plenums and suspended ceilings.

### Quick Connect push-in terminals

Three "Quick connect" push-in terminals for fast and easy wiring.

### Operating Temperature

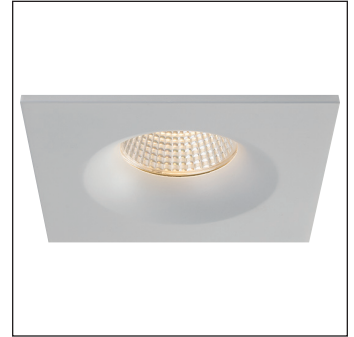
-20°C~40°C (-4°F~104°F)

### Environment

- Suitable for wet locations.
- Approved for direct contact with insulation.

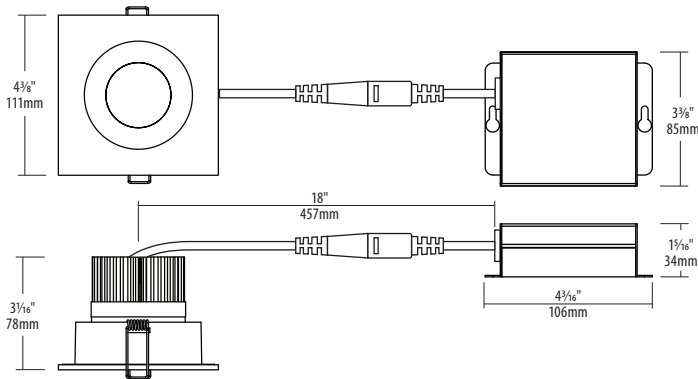
SPECIFICATION	
Application	Ceiling Recess Mount
Approved Location	Wet / Insulated Ceilings
Beam Angle	40°
CCT (selectable)	2700 K / 3000 K / 3500 K / 4000 K / 5000 K
Certification	cETLus
Class II	Yes
Color	BK / BN / WH
CRI	90
Dimming	Yes
Dimming Tech	TRIAC/ELV
Energy Star	Yes
Hole Cut	Ø 3 3/8" (92mm)
Input	100-135V AC, 60Hz
LM79	Yes
LM80	Yes
Lumens	Up to 850
Lumens per Watt	Up to 73
Power Factor	>0.90
Projected Life	70% @ 50,000 hrs
Warranty	Lifetime
Wattage	12W

CCT	LUMEN OUTPUT
2700 K	700
3000 K	750
3500 K	810
4000 K	850
5000 K	820



## Description

The RA35S-12F is a 12 watt 3.5" square fixed recessed light fixture for retrofit application. It is a high-performance, easy to install downlight solution that offers good light output, energy-efficiency and streamlined design. Suitable for wet locations.



**Notes:** Accessories are sold separately. For additional options please consult your Liteline representative. Due to our continued efforts to improve our products, product specifications are subject to change without notice.

## Ordering Guide

Driver Options	Trim Finish
RA35S-12F - [ ] - 90	[ ]
<p>Leave blank for standard 120V driver</p> <p><b>E</b> : Lutron Hi-Lume® 1% (EcoSystem®)</p> <p><b>EM</b> : Emergency Backup, 120~277V, 0-10V</p> <p><b>C</b> : 120~347V, 0-10V</p> <p><b>P</b> : 120-277V, 0-10V</p>	<p><b>BK</b> : Black</p> <p><b>BN</b> : Brushed Nickel</p> <p><b>WH</b> : White</p>

## Accessories

---



### SLM-60-FC

60" Flexible connector, for use with SlimLED fixtures.



### P-3520

3 $\frac{3}{8}$ " Round pre-mounting plate with driver attachment clip.



### P-3524

3 $\frac{3}{8}$ " Round pre-mounting plate with driver attachment clip, 24".



### P-3520NC

3 $\frac{3}{8}$ " Round new construction plate with driver attachment clip.



### P-NCMK-1

New construction mounting kit. Includes hanger bars, brackets and screws.



### VBE-1

Vapour barrier extender. For use in new construction applications.



### VBE-2

Vapour barrier extender. For use in remodel applications.



### VBE-3

Vapour barrier extender. For use in remodel applications.



### VBE-4

Vapour barrier extender. For use in remodel applications.



### LC-CRTL-3WAY-1

Smart Wi-Fi 3-Way Switch.



### LC-CRTL-DIM-1

Smart Wi-Fi dimmer, 120V.