

1" TRIMLESS SPOTLIGHT - 5CCT SELECT HIGH OUTPUT LR24917

IMPORTANT

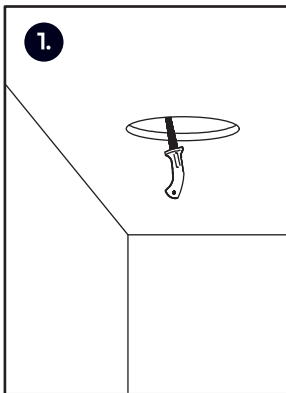
READ ALL INSTRUCTIONS BEFORE INSTALLING FIXTURES. KEEP FOR FUTURE REFERENCE.

SAFETY: FOR YOUR SAFETY, THIS FIXTURE MUST BE WIRED IN ACCORDANCE TO LOCAL ELECTRICAL CODES AND ORDINANCES. ALL WORK SHOULD BE DONE BY A QUALIFIED ELECTRICIAN.

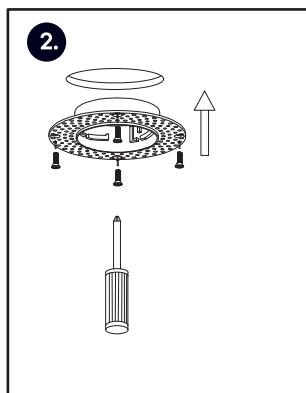
WARNING: MAKE SURE POWER IS OFF FROM THE ELECTRICAL PANEL BEFORE STARTING INSTALLATION OR ATTEMPTING ANY MAINTENANCE. INDOOR INSTALLATION ONLY.

TOOLS REQUIRED: SAW, MEASURING TAPE, ELECTRICAL WIRING (USE TAPE AND GAUGE SUITABLE FOR APPLICATION TO CONNECT THE FIXTURES).

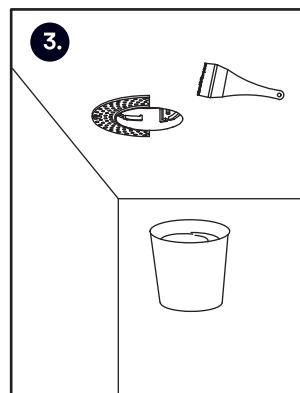
INSTRUCTIONS



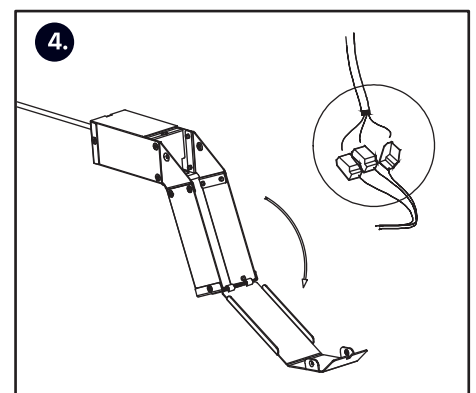
1. Determine the location for installation and cut ceiling hole in accordance with cut-hole dimensions.



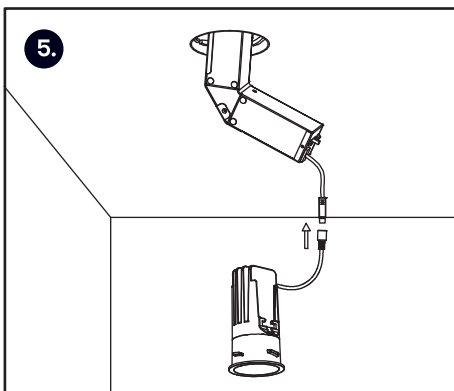
2. Fasten the trim to the ceiling with the screws.



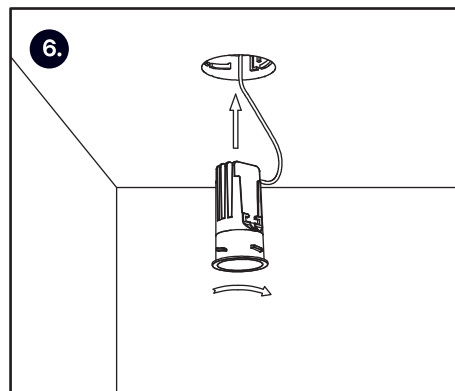
3. Spackle around trim to accomplish a trimless and smooth finish and look.



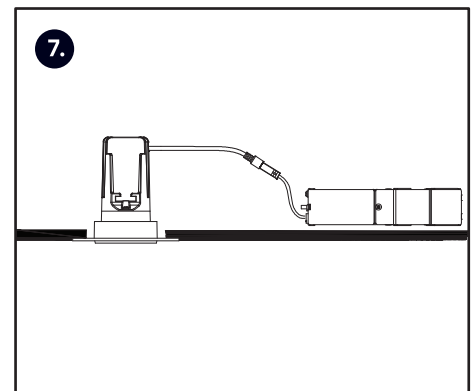
4. Open the junction box cover and remove the appropriate knockout(s). Using quick-connect push-in terminals and connect wires.



5. Push the driver box to the ceiling.



6. Turn the housing to the right to fit the trim thread.



7. Check trim flush with ceiling.