

# LUXRITE®

## LED CANLESS - SPOTLIGHT JACKSONVILLE COLLECTION

4"



LR24950  
LR24951



LR24961  
LR24966



LR24750  
LR24751

\*TRIMS SOLD SEPARATELY



\*SELECT MODELS



\*SELECT MODELS



\*SELECT MODELS



\*SELECT MODELS



\*SELECT MODELS

**LR24950**  
LED/DLMD4/5CCT/D



**LR24951**  
LED/DLMD4/5CCT/D/WFL



APERTURE	4"
DISTRIBUTION	FIXED/WALL WASH
APPLICATION	NEW CONSTRUCTION & REMODEL

## ELECTRICAL

POWER	15W
INPUT VOLTS	120V
INPUT CURRENT	150mA
FREQUENCY	60Hz
DIMMING TYPE	TRIAC/ELV
DIMMING RANGE	10-100%
FEED WIRE GAUGE	18AWG
BREAKER SPECIFICATION *(15A @120V)	79pcs*

\*Mathematically estimated value. Actual capacity may vary by breaker type and installation environment.

## CERTIFICATIONS & SAFETY

LR24950	ETL, ENERGY STAR
LR24951	ETL
IP RATING	IP-54
WET LOCATION	YES
IC RATED	YES
AIR TIGHT	YES
OPERATING TEMP.	-4°F to 104°F
COST/YR	\$ 1.81
WARRANTY	5 YR

## DRIVER

MODEL	DESCRIPTION	POWER	INPUT VOLTS	INPUT CURRENT	FREQUENCY	INPUT POWER	OUTPUT VOLTAGE	DIMENSIONS	KNOCKOUTS
	INCLUDED DRIVER	15W	120V	150mA	60Hz	15W max	36V DC	4.25"L X 2.25"W X 1.5"H	4
LR24969*	LED/DLMD4/DRIVER/UNV/0-10V	15W	120-277V	150mA	60Hz	15W max	36V DC	5.11"L X 2.32"W X 1.45"H	4

MODEL	DESCRIPTION	EM POWER	INPUT VOLTS	INPUT CURRENT	FREQUENCY	INPUT POWER	OUTPUT VOLTAGE	RECHARGE TIME	EMERGENCY TIME
LR35126**	LED/EMR/15W/AC/SF/E	15W	100-347V	100mA	50/60Hz	12W max	170V DC	24HR	90MINS

\*AMBIENT TEMPERATURE: 41°F ~ 122°F  
\*\*SOLD SEPARATELY



\*TRIMS SOLD SEPARATELY

FRONT VIEW

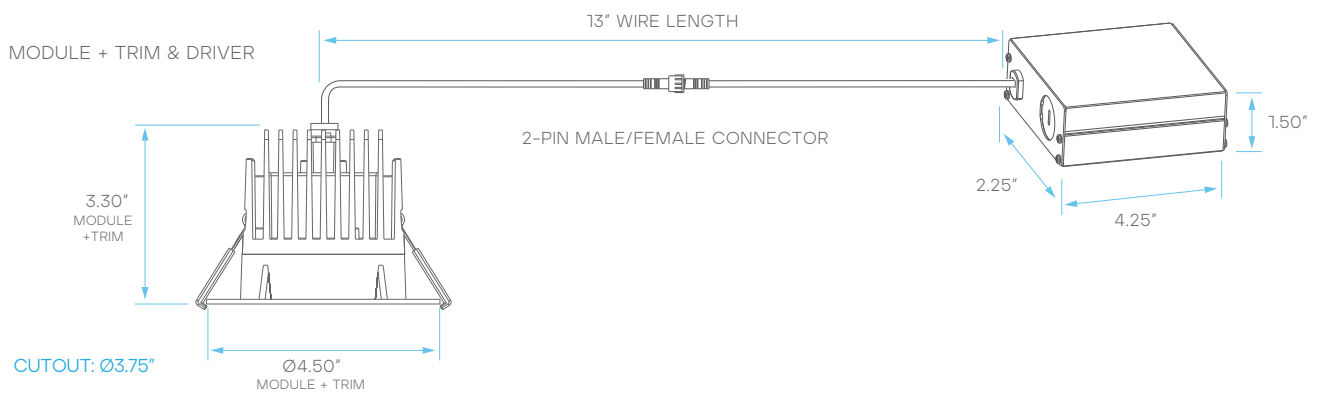
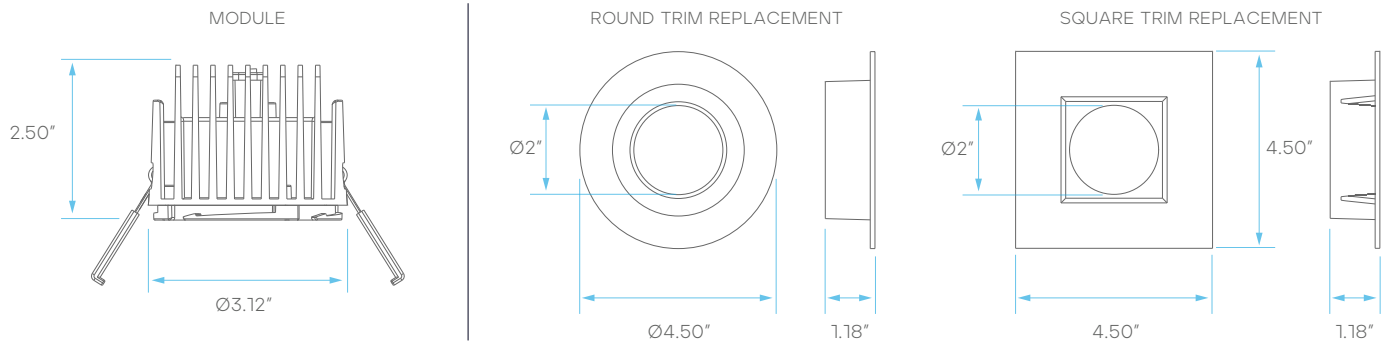
## PHOTOMETRIC

COLOR CCT	2700K/3000K/3500K/4000K/5000K
CRI	90
LUMEN	1100lm
EFFICACY	73lm/w
BEAM ANGLE	LR24950: 40°
	LR24951: 60°

## MATERIAL & APPLICATION

HEAT SINK	DIE-CAST ALUMINUM
TRIM	ALUMINUM
LENS	PC ACRYLIC
CUTOUT	Ø3.75"
MOUNTING TYPE	RECESSED
AREA OF APPLICATION	RESIDENTIAL, COMMERCIAL
CEILING TYPE	DRYWALL, WOOD

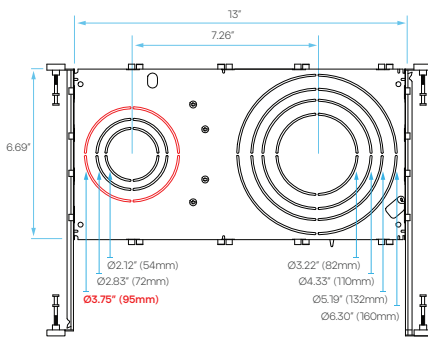
## DIMENSIONS



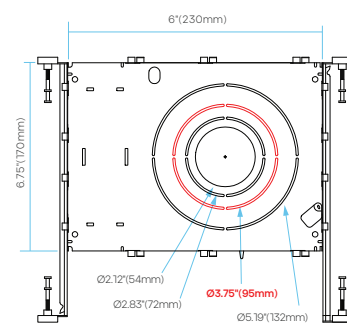
## PLATE COMPATIBILITY\*

\*SOLD SEPARATELY

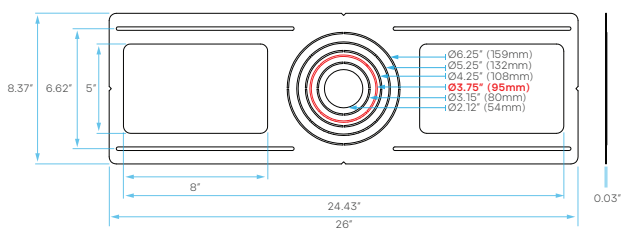
**LR41010  
KNOCKOUT  
L2**



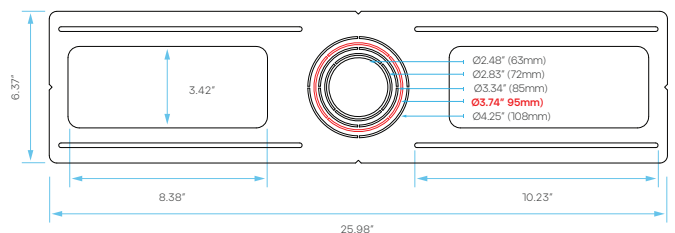
**LR41004  
KNOCKOUT  
2**



**LR41006  
KNOCKOUT  
2**



**LR41011  
KNOCKOUT  
3**



**LR24961**  
LED/DLMD4HO/5CCT/UNV/DD



**LR24966**  
LED/DLMD4HO/5CCT/UNV/DD/WFL



\*TRIMS SOLD SEPARATELY

FRONT VIEW

APERTURE	4"
DISTRIBUTION	FIXED/WALL WASH
APPLICATION	NEW CONSTRUCTION & REMODEL

## ELECTRICAL

POWER	22W
INPUT VOLTS	120-277V
INPUT CURRENT	0.184A
FREQUENCY	60Hz
DIMMING TYPE	TRIAC/0-10V
DIMMING RANGE	10-100%
FEED WIRE GAUGE	18AWG
BREAKER SPECIFICATION (15A @120V)	54pcs*

\*Mathematically estimated value. Actual capacity may vary by breaker type and installation environment.

## PHOTOMETRIC

COLOR CCT	2700K/3000K/3500K/4000K/5000K
CRI	90
LUMEN	1700lm
EFFICACY	73lm/w
BEAM ANGLE	LR24961: 38°
	LR24966: 60°

## CERTIFICATIONS & SAFETY

LR24961	ETL
LR24966	ETL
IP RATING	IP-54
WET LOCATION	YES
IC RATED	YES
AIR TIGHT	YES
OPERATING TEMP.	-4°F to 104°F
COST/YR	\$ 2.64
WARRANTY	5 YR

## MATERIAL & APPLICATION

HEAT SINK	DIE-CAST ALUMINUM
TRIM	ALUMINUM
LENS	PC ACRYLIC
CUTOUT	Ø3.75"
MOUNTING TYPE	RECESSED
AREA OF APPLICATION	RESIDENTIAL, COMMERCIAL
CEILING TYPE	DRYWALL, WOOD

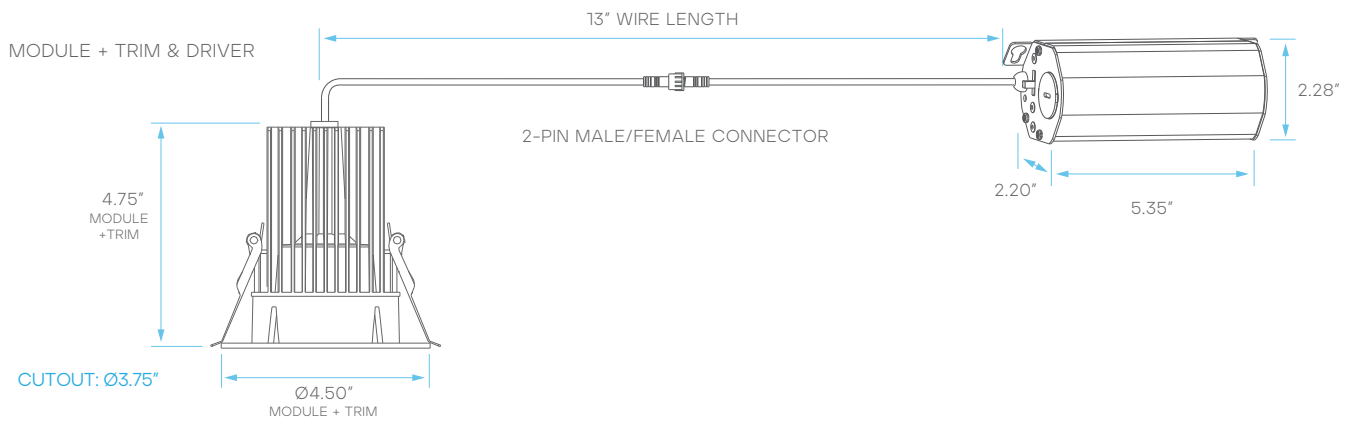
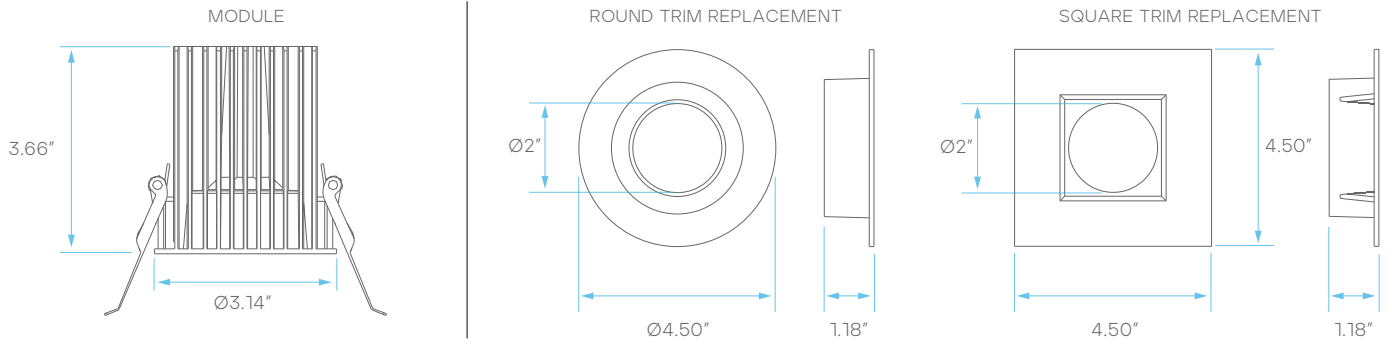
## DRIVER

MODEL	DESCRIPTION	POWER	INPUT VOLTS	INPUT CURRENT	FREQUENCY	INPUT POWER	OUTPUT VOLTAGE	DIMENSIONS	KNOCKOUTS
	INCLUDED DRIVER	22W	120-277V	220mA	60Hz	22W max	36V DC	5.35"L X 2.20"W X 2.28"H	2
LR24997*	LED/DLMD4HO/5-6/DRV/UNV/0-10V	22W	120-347V	220mA	60Hz	22W max	36V DC	3.42"L X 3.34"W X 1.29"H	2

MODEL	DESCRIPTION	EM POWER	INPUT VOLTS	INPUT CURRENT	FREQUENCY	INPUT POWER	OUTPUT VOLTAGE	RECHARGE TIME	EMERGENCY TIME
LR35124**	LED/EMR/30W/AC/FC/E	30W	100-277V	100mA	50/60Hz	7W max	50-150V DC	24HR	90MINS

\*AMBIENT TEMPERATURE: 32°F ~ 122°F  
\*SOLD SEPARATELY

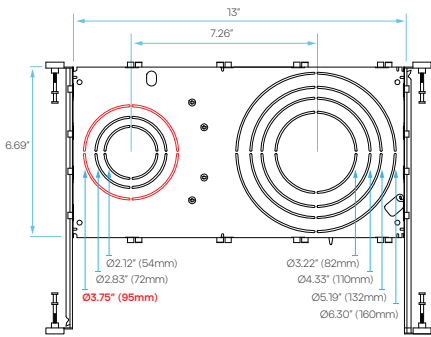
## DIMENSIONS



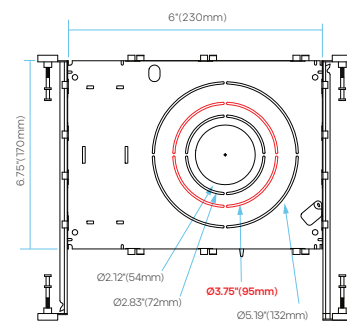
## PLATE COMPATIBILITY\*

\*SOLD SEPARATELY

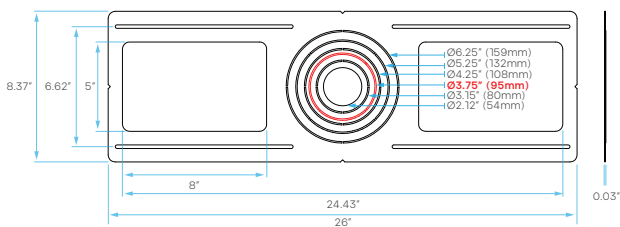
**LR41010  
KNOCKOUT  
L2**



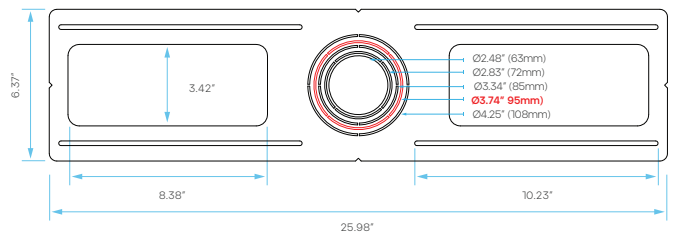
**LR41004  
KNOCKOUT  
2**



**LR41006  
KNOCKOUT  
2**



**LR41011  
KNOCKOUT  
3**





## LR24750

LED/DLMD4VHO/2WO/5CCT/DD/UNV/FL



## LR24751

LED/DLMD4VHO/2WO/5CCT/DD/UNV/WFL



\*TRIMS SOLD SEPARATELY

FRONT VIEW

APERTURE	4"
DISTRIBUTION	FIXED/WALL WASH
APPLICATION	NEW CONSTRUCTION & REMODEL

### ELECTRICAL

POWER	20W/35W
INPUT VOLTS	120-277V
INPUT CURRENT	IC: 490mA / Non-IC: 820mA
FREQUENCY	60Hz
DIMMING TYPE	TRIAC/0-10V
DIMMING RANGE	1-100%
FEED WIRE GAUGE	18AWG
BREAKER SPECIFICATION *(15A @120V)	35pcs* @35W

\*Mathematically estimated value. Actual capacity may vary by breaker type and installation environment.

### PHOTOMETRIC

COLOR CCT	2700K/3000K/3500K/4000K/5000K
CRI	90
LUMEN	1700lm (20W) 2500lm (35W)
EFFICACY	85lm/w / 71lm/w
BEAM ANGLE	LR24750: 38° LR24751: 60°

### CERTIFICATIONS & SAFETY

LR24750	ETL
LR24751	ETL
IP RATING	IP-54
WET LOCATION	YES
IC RATED	YES @ 20W
AIR TIGHT	YES
OPERATING TEMP.	-4°F to 104°F
COST/YR	\$ 4.21
WARRANTY	5 YR

### MATERIAL & APPLICATION

HEAT SINK	DIE-CAST ALUMINUM
TRIM	ALUMINUM
LENS	PC ACRYLIC
CUTOUT	Ø3.75"
MOUNTING TYPE	RECESSED
AREA OF APPLICATION	RESIDENTIAL, COMMERCIAL
CEILING TYPE	DRYWALL, WOOD

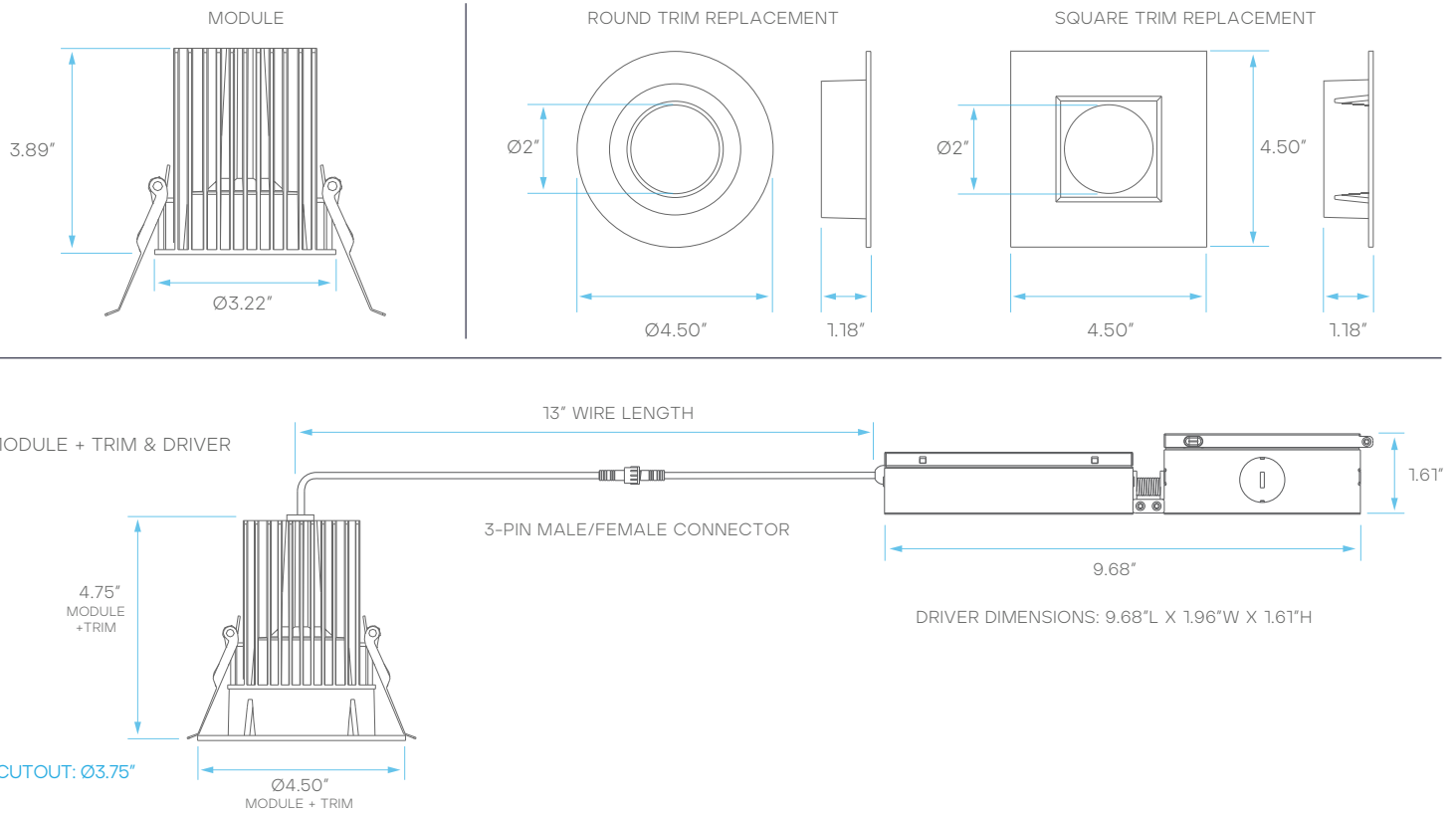
### DRIVER

	POWER	INPUT VOLTS	INPUT CURRENT	FREQUENCY	INPUT POWER	OUTPUT VOLTAGE	DIMENSIONS	KNOCKOUTS
INCLUDED DRIVER	20W/35W	120-277V	IC: 490mA / Non-IC: 820mA	60Hz	35W max	36V DC	9.68"L X 1.96"W X 1.61"H	3

MODEL	DESCRIPTION	EM POWER	INPUT VOLTS	INPUT CURRENT	FREQUENCY	INPUT POWER	OUTPUT VOLTAGE	RECHARGE TIME	EMERGENCY TIME
LR35124**	LED/EMR/30W/AC/FC/E	30W	100-277V	100mA	50/60Hz	7W max	50-150V DC	24HR	90MINS

\*AMBIENT TEMPERATURE: 32°F ~ 122°F  
\*SOLD SEPARATELY

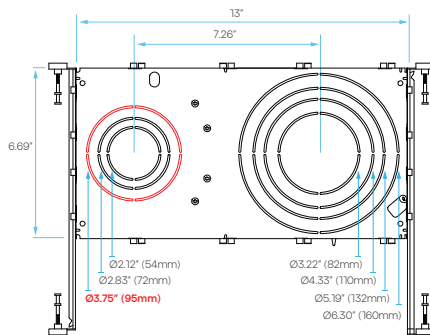
## DIMENSIONS



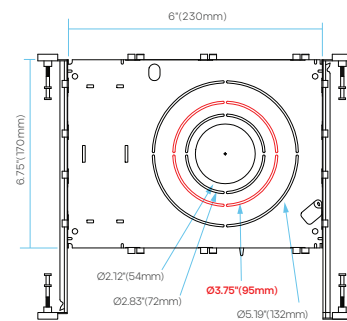
## PLATE COMPATIBILITY\*

\*SOLD SEPARATELY

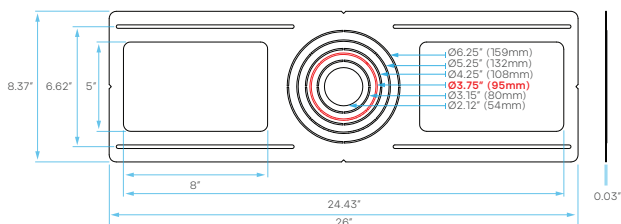
**LR41010  
KNOCKOUT  
L2**



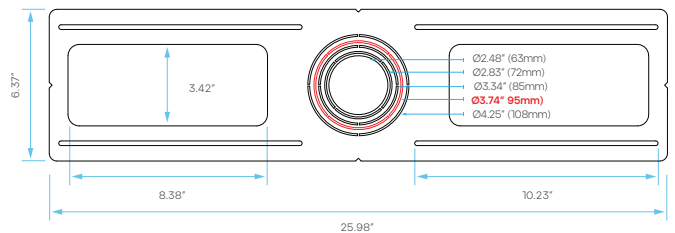
**LR41004  
KNOCKOUT  
2**



**LR41006  
KNOCKOUT  
2**













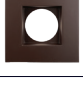




**LR41011  
KNOCKOUT  
3**



## INTERCHANGEABLE TRIM OPTIONS\*

\*SOLD SEPARATELY

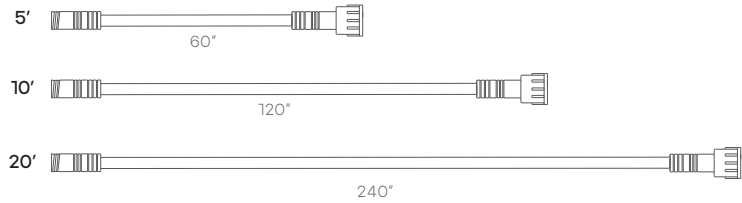
	MODEL	DESCRIPTION	SIZE	FINISH	SHAPE	APPLICATION
	LR24952	LED/DLMD4/TRIM/RD/W	4"	WHITE	ROUND	FIXED
	LR24953	LED/DLMD4/TRIM/RD/B/W	4"	WHITE	ROUND	FIXED
	LR24956	LED/DLMD4/TRIM/RD/BK	4"	BLACK	ROUND	FIXED
	LR24962	LED/DLMD4/TRIM/RD/BN	4"	BRUSHED NICKEL	ROUND	FIXED
	LR24963	LED/DLMD4/TRIM/RD/BZ	4"	BRONZE	ROUND	FIXED
	LR24967	LED/DLMD4/TRIM/RD/BK/WT	4"	BLACK/WHITE	ROUND	FIXED
	LR24948	LED/DLMD4/TRIM/WW/RD/W	4"	WHITE	ROUND	WALL WASHER
	LR24954	LED/DLMD4/TRIM/SQ/W	4"	WHITE	SQUARE	FIXED
	LR24955	LED/DLMD4/TRIM/SQ/B/W	4"	WHITE	SQUARE	FIXED
	LR24958	LED/DLMD4/TRIM/SQ/BK	4"	BLACK	SQUARE	FIXED
	LR24949	LED/DLMD4/TRIM/WW/SQ/W	4"	WHITE	SQUARE	WALL WASHER
	LR24964	LED/DLMD4/TRIM/SQ/BN	4"	BRUSHED NICKEL	SQUARE	FIXED
	LR24965	LED/DLMD4/TRIM/SQ/BZ	4"	BRONZE	SQUARE	FIXED
	LR24968	LED/DLMD4/TRIM/SQ/BK/WT	4"	BLACK/WHITE	SQUARE	FIXED
	LR24978	LED/DLMD4/TRIM/SQ/BRS	4"	BRASS	SQUARE	FIXED

## WIRE EXTENDER OPTIONS

\*SOLD SEPARATELY

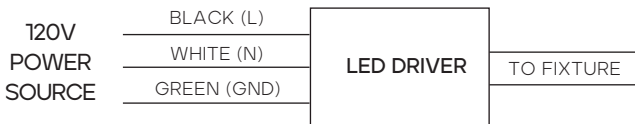


MODEL	TYPE	WIRE GAUGE
LR41050	5' - 2 PIN	22 AWG
LR41051	5' - 3 PIN	22 AWG
LR41052	10' - 2 PIN	22 AWG
LR41053	10' - 3 PIN	22 AWG
LR41054	20' - 2 PIN	22 AWG
LR41055	20' - 3 PIN	22 AWG

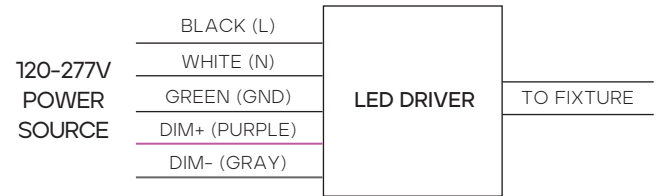


## WIRING DIAGRAM

LR25020, LR25021, LR25030, LR25031  
120V



LR25034, LR25035  
120-277V



## SUGGESTED COMPATIBLE DIMMER\*

### TRIAC DIMMING\*

LUTRON	CTCL-153P
	DVCL-153PDH
	DVCL-153P
LEVITON	6672
	6674
PASS & SEYMOUR	HCL453PTCCCV6

### 0-10V DIMMING\*

LUTRON	DIVA - DDTV
	DIVA - NDTV
	NOVA T - NTFTV
LEVITON	ILLUMATECH - IP7
LIGHTOLIER CONTROLS	ZP600FAM120
PHILIPS	SR1200ZTUNV

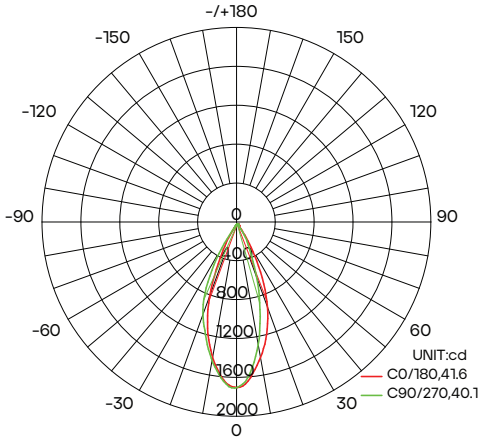
\*Dimmer performance may vary based on load, wiring, and installation conditions. Inclusion on this chart does not guarantee compatibility for every installation, and omission does not indicate incompatibility. Refer to the dimmer manufacturer's installation instructions and verify minimum load requirements to avoid field issues.

## PACKAGING

MODEL	STYLE	INNER BOX DIMENSIONS	MASTER CARTON DIMENSIONS	CASE
LR24950	INNER BOX + MASTER CARTON	5.70" X 4.33" X 4.52"	13.58" X 12" X 14.56"	18
LR24951	INNER BOX + MASTER CARTON	5.70" X 4.33" X 4.52"	13.58" X 12" X 14.56"	18
LR24961	INNER BOX + MASTER CARTON	7.67" X 5.51" X 3.54"	17.12" X 15.95" X 11.61"	18
LR24966	INNER BOX + MASTER CARTON	7.67" X 5.51" X 3.54"	17.12" X 15.95" X 11.61"	18
LR24750	INNER BOX + MASTER CARTON	7.67" X 5.51" X 3.54"	16.33" X 14.77" X 11.61"	12
LR24751	INNER BOX + MASTER CARTON	7.67" X 5.51" X 3.54"	16.33" X 14.77" X 11.61"	12

Luxrite® Luxiflow® tool is for informational purposes only, it is not intended to provide lighting or electrical advise.

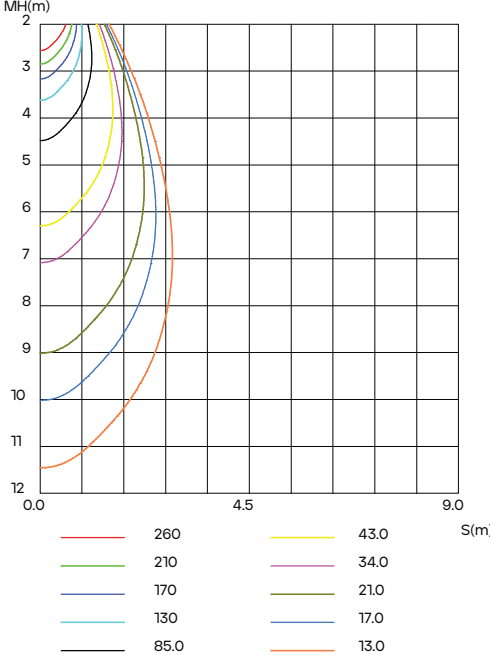
**LUMINOUS INTENSITY DISTRIBUTION DIAGRAM**



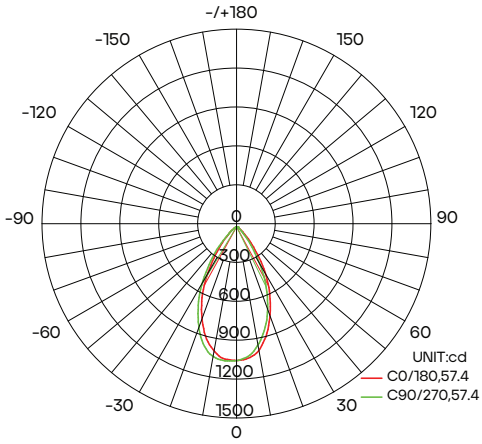
AVERAGE BEAM ANGLE(50%): 40.8 DEG

\*DIAGRAM SHOWING LR24950 AT 2700K - 15W

**C0 PLANE ISOLUX DIAGRAM (UNIT:lx)**



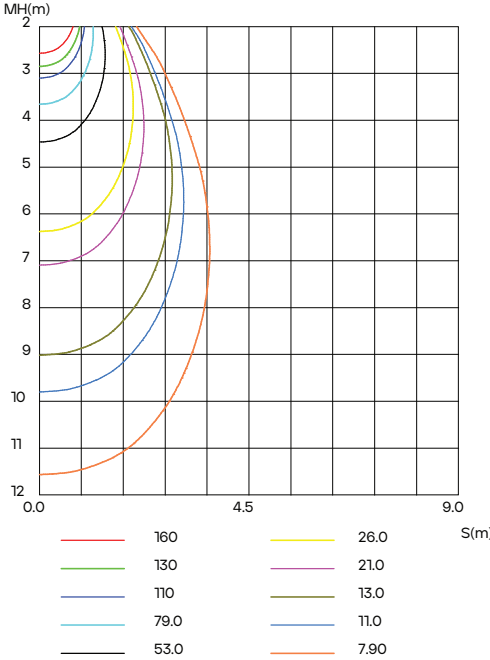
**LUMINOUS INTENSITY DISTRIBUTION DIAGRAM**



AVERAGE BEAM ANGLE(50%): 57.4 DEG

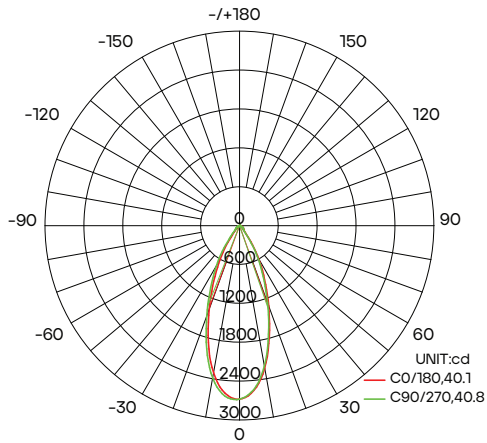
\*DIAGRAM SHOWING LR24951 AT 2700K - 15W

**C0 PLANE ISOLUX DIAGRAM (UNIT: lx)**



Luxrite® Luxiflow® tool is for informational purposes only, it is not intended to provide lighting or electrical advise.

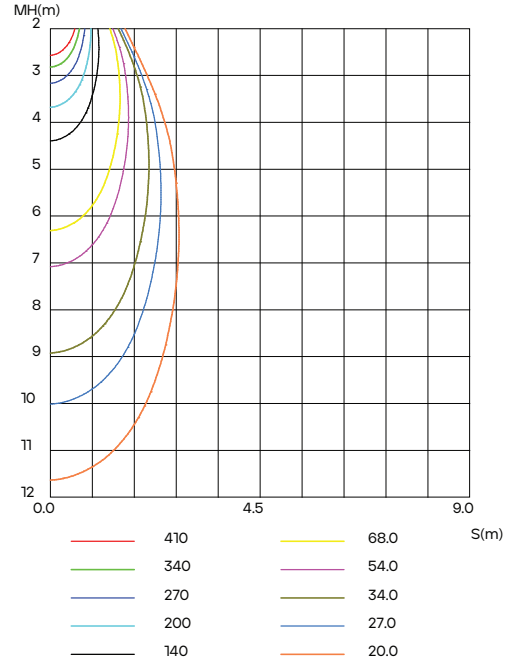
LUMINOUS INTENSITY DISTRIBUTION DIAGRAM



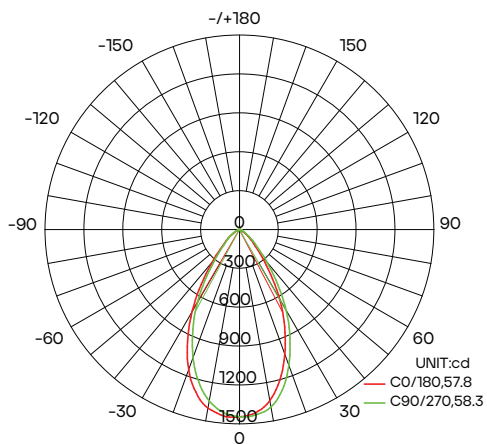
AVERAGE BEAM ANGLE(50%):40.4 DEG

\*DIAGRAM SHOWING LR24961 AT 2700K - 22W

CO PLANE ISOLUX DIAGRAM (UNIT:lx)



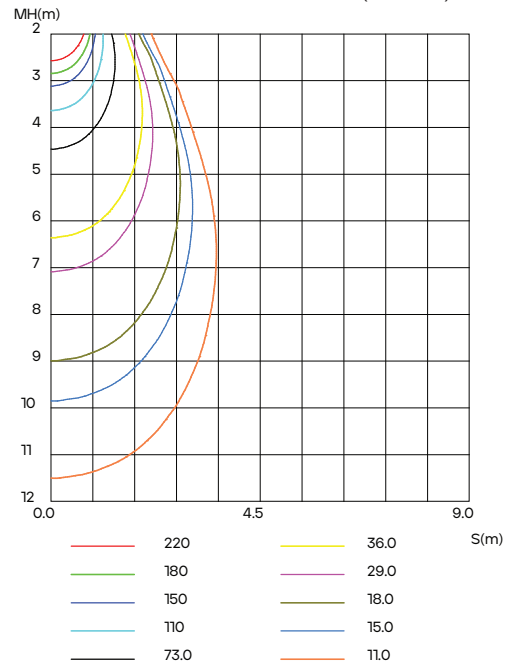
LUMINOUS INTENSITY DISTRIBUTION DIAGRAM



AVERAGE BEAM ANGLE(50%): 58.1 DEG

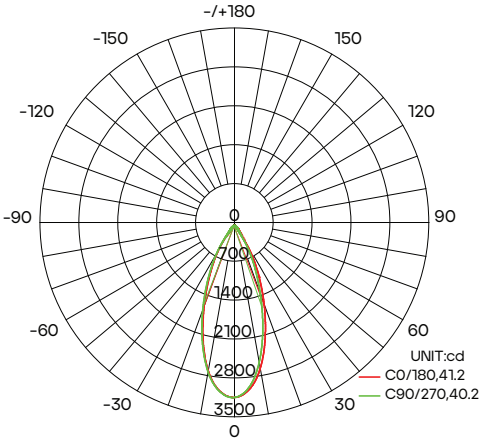
\*DIAGRAM SHOWING LR24966 AT 2700K - 22W

CO PLANE ISOLUX DIAGRAM (UNIT: lx)



Luxrite® Luxiflow® tool is for informational purposes only, it is not intended to provide lighting or electrical advise.

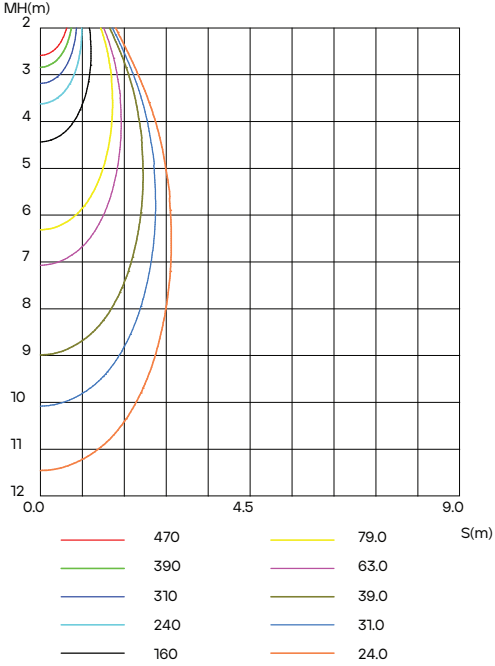
**LUMINOUS INTENSITY DISTRIBUTION DIAGRAM**



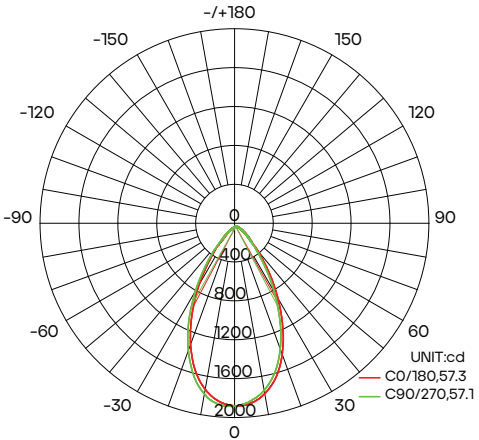
AVERAGE BEAM ANGLE(50%):40.4 DEG

\*DIAGRAM SHOWING LR24750 AT 2700K - 20W

**C0 PLANE ISOLUX DIAGRAM (UNIT:lx)**



**LUMINOUS INTENSITY DISTRIBUTION DIAGRAM**



AVERAGE BEAM ANGLE(50%): 57.2 DEG

\*DIAGRAM SHOWING LR24751 AT 2700K - 20W

**C0 PLANE ISOLUX DIAGRAM (UNIT:lx)**

