

## 1" REGRESSED GIMBAL - 5CCT SELECT LR23270

### IMPORTANT

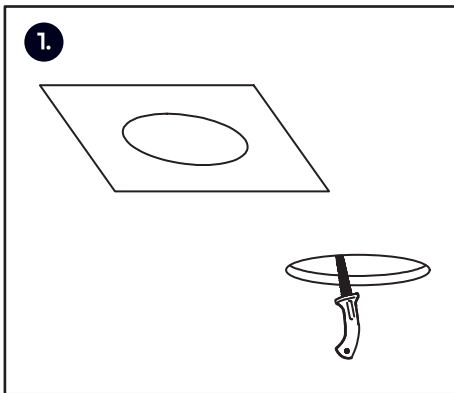
**READ ALL INSTRUCTIONS BEFORE INSTALLING FIXTURES. KEEP FOR FUTURE REFERENCE.**

**SAFETY:** FOR YOUR SAFETY, THIS FIXTURE MUST BE WIRED IN ACCORDANCE TO LOCAL ELECTRICAL CODES AND ORDINANCES. ALL WORK SHOULD BE DONE BY A QUALIFIED ELECTRICIAN.

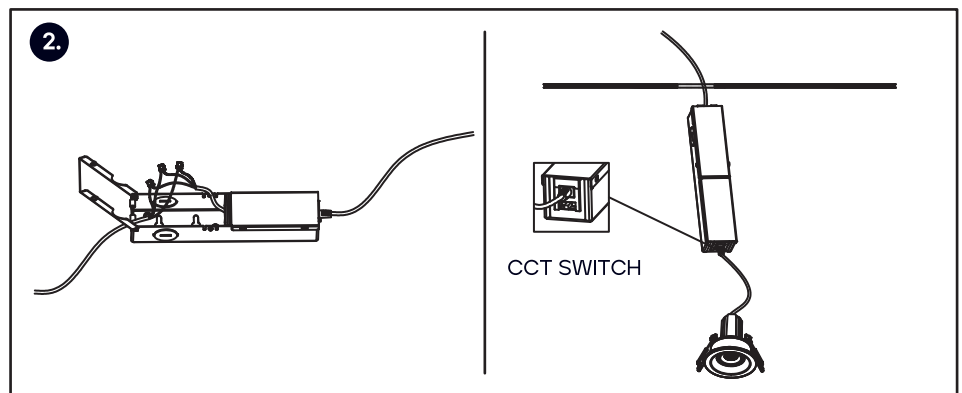
**WARNING:** MAKE SURE POWER IS OFF FROM THE ELECTRICAL PANEL BEFORE STARTING INSTALLATION OR ATTEMPTING ANY MAINTENANCE. INDOOR INSTALLATION ONLY.

**TOOLS REQUIRED:** SAW, MEASURING TAPE, ELECTRICAL WIRING (USE TAPE AND GAUGE SUITABLE FOR APPLICATION TO CONNECT THE FIXTURES).

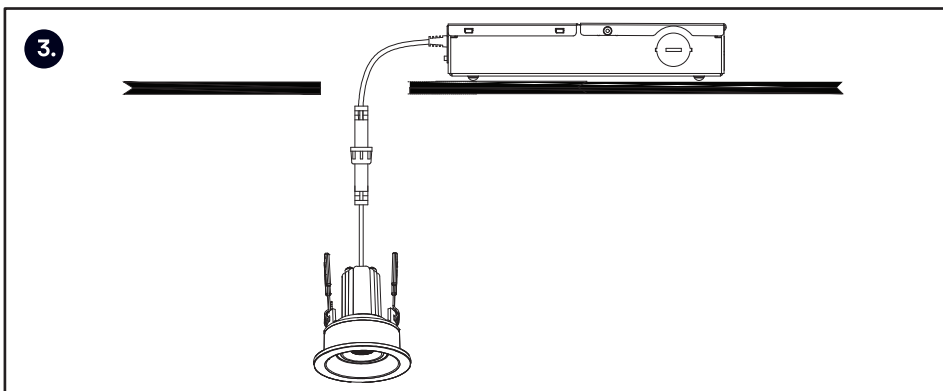
### INSTRUCTIONS



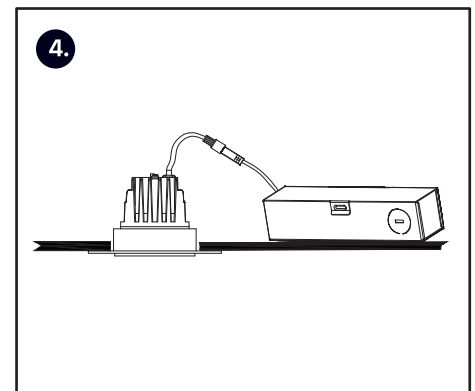
1. Determine the location for installation and cut ceiling hole in accordance with cut-hole dimensions.



2. Open the junction box cover and remove the appropriate knockout(s). Using quick-connect push-in terminals and connect wires. Select CCT using the switch on the side of the driver.



3. Push spring-loaded clips on the fixture upwards and insert fixture base into the mounting hole. Release the clips and fixture will be pulled flush with the ceiling.



4. Installation is now complete.