

EPC40W

Magnetic Non Dimmable

Outdoor Black Powder Coated Steel Enclosure

Multi Tap: **12VAC and 15VAC**

Total Wattage: **40W max**

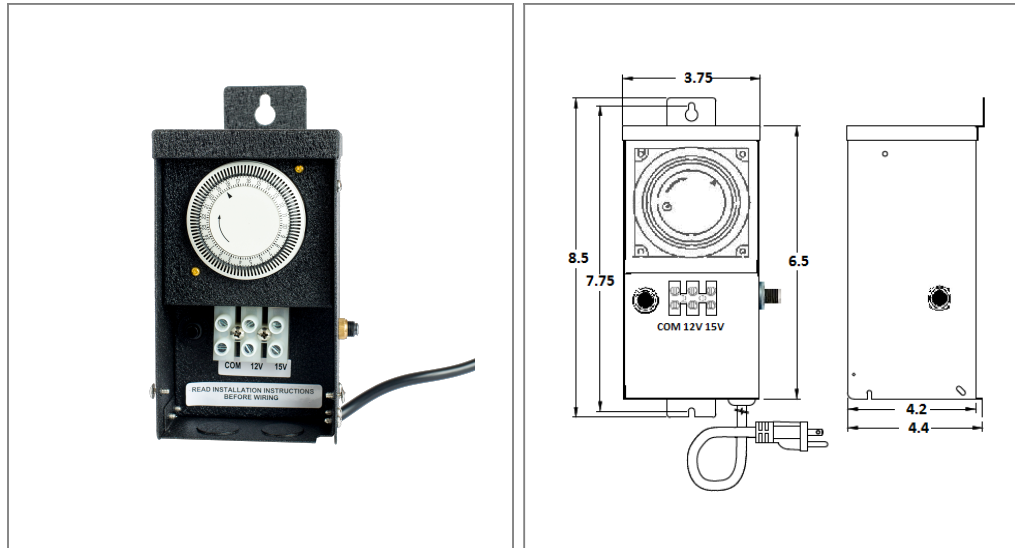
Input Voltage: **120V 60Hz**



www.emcod.com



Conforms to UL STD. 1838
Certified to CSA
STD. C22.2 No 250.0, 250.7

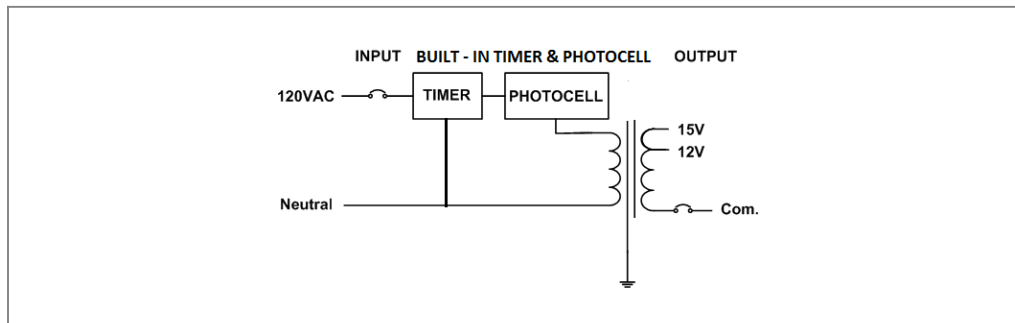


Transformer

Non dimmable if use timer or/and photocell
Temperature class B(130°C)
Thermal manually reset secondary breaker 6A
Timer and photocell build in options

Housing

The actual transformer 40W is encapsulated in the enclosure
The enclosure is Black Powder Coated Steel, NEMA 3R rated
Wiring compartment has 2 knockouts sizes for 3/8 inch screw cable connectors
Enclosure Temperature does not exceed 65°C at 45°C ambient and fully loaded
Dimensions (inch): H = 8.5, W = 3.75, D = 4.4
Weight (LBs): 0.5



Electrical Parameters

Input Voltage:	120V 60Hz
Max. input current at full load:	0.4A
Output voltage without load:	12/ 15VAC
Output voltage fully loaded:	11.5/ 14.5VAC
Max. Total Wattage:	40W
Max. Output Current:	3.3/ 2.7A
Efficiency:	90%

Mailing Address: 6925 Eton Ave. Canoga Park, CA 91303 Tech support: Arik Nirenberg phone: 818-904-3309 cellphone: 818-269-4091
Fax: 818 904 3327 info@emcod.com techsupport@emcod.com