

# Installation Guide

## JB-Series DMX

### For Models:

- JBZN-2-CVN96R24DC-DMX-(R, S)W
- JBZN-3-CVN96R24DC-DMX-(R, S)W
- JBZN-4-CVN96R24DC-DMX-(R, S)W
- JBZN-5-CVN96R24DC-DMX-(R, S)W
- JBZN-6-CVN96R24DC-DMX-(R, S)W

Quick Specs	
Input Voltage Range	120 to 277VAC ± 10%
Input Frequency	50 / 60Hz
Output Voltage	24VDC
Dimming Method(s)	DMX512
Operating Temperature	-25°C to 50°C (-4°F to 185°F)
Enclosure	Indoor, Dry Locations
Certifications	Class 2, UL Listed & Recognized Components

### ⚠ BEFORE YOU BEGIN:

This unit is to be installed in accordance with Article 450 of the National Electric Code (NEC). The unit must be installed in a well-ventilated area, free from explosive gases and vapors. Proper operation requires for free flow of air. Since this unit is hardwired, it should only be installed by a qualified electrician.

### Precautions Before Installation

- Check the label and ensure the driver has proper input voltage and wattage for the job. Check the wire markings to ensure they match the wiring diagrams below.
- If the product has any visible damage, do not install it.

### Mounting

Select a suitable location capable of supporting the weight of the JB-Series electrical box. Mount the unit using the four (4) keyholes inside the enclosure.

### Input Connections/Grounding

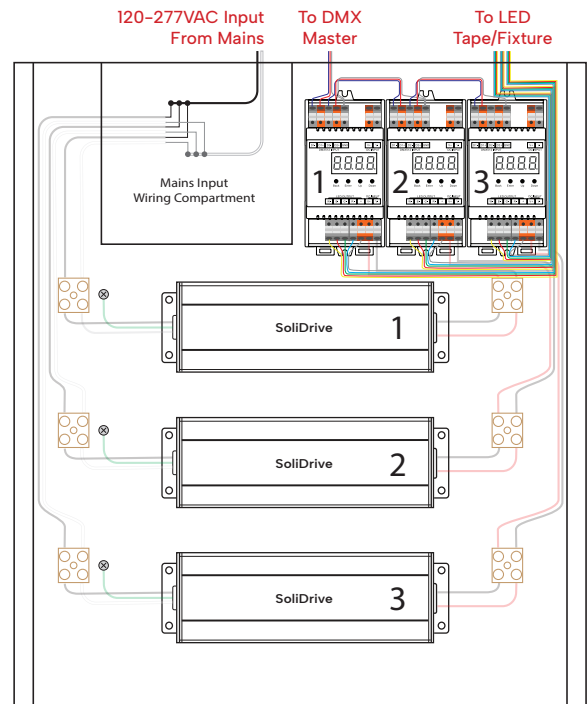
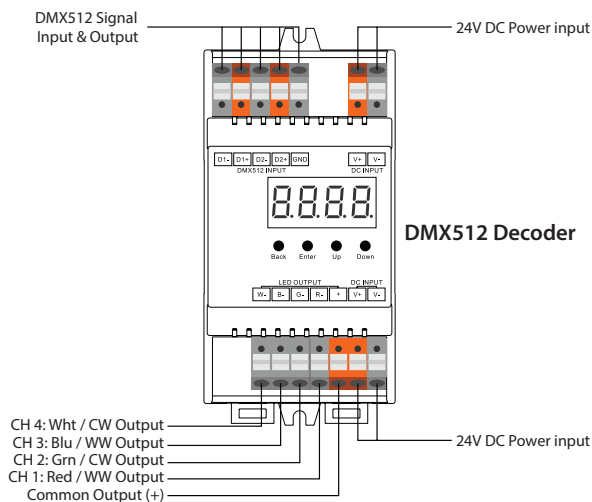
With power turned off, route the input wires through the opening of a removed knockout on the enclosure using a wire strain relief. Make connections according to the following wiring diagrams. For all wire connections, use the supplied Wago wire connectors. The unit MUST be grounded in accordance with the NEC. Input wires colors are Line (black), Neutral (white) and Ground (green).

### Output Connections

Bring the wires of each fixture through the opening of a removed knockout on the enclosure using a wire strain relief. Connect the DMX512 Master and The LED Tape/Fixture to the DMX Decoder according to the following wiring diagrams.

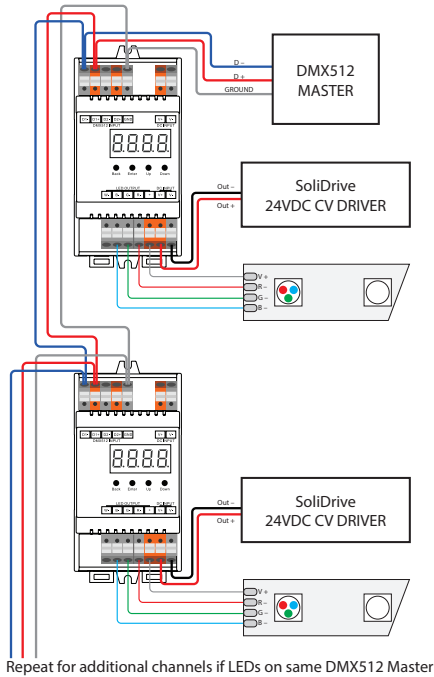
## WIRING DIAGRAMS

For detailed information on programming DMX decoder visit [magnitudeinc.com](http://magnitudeinc.com)

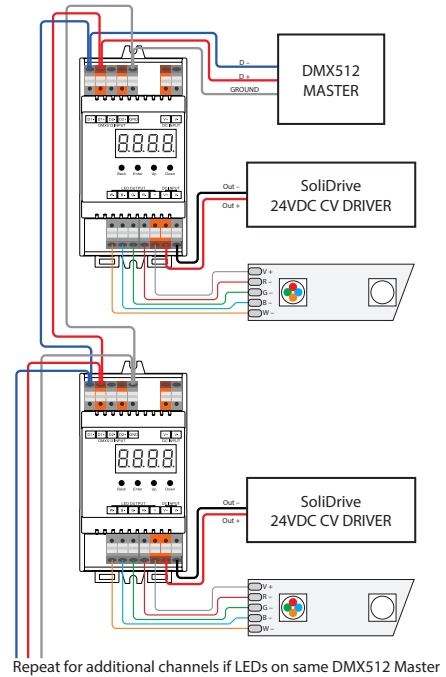


**WIRING DIAGRAMS**

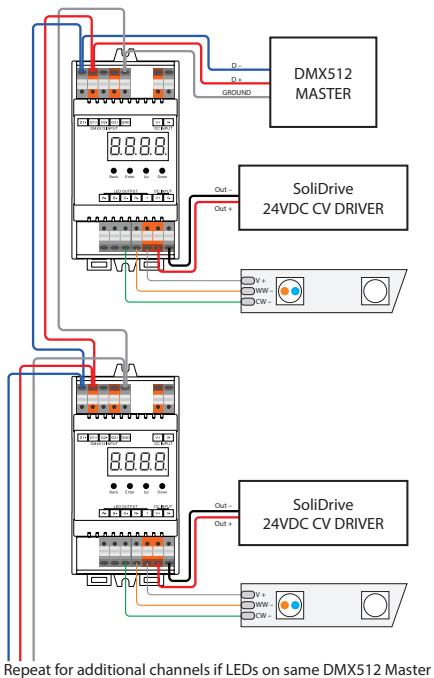
**RGB Wiring**



**RGB-W Wiring**



**3-Wire Tunable White Wiring**



**Static Color Wiring**

