

LUXRITE®

LED CANLESS - SPOTLIGHT

BOSTON COLLECTION

COMMERCIAL DOWNLIGHT

3"



LR23979

4"



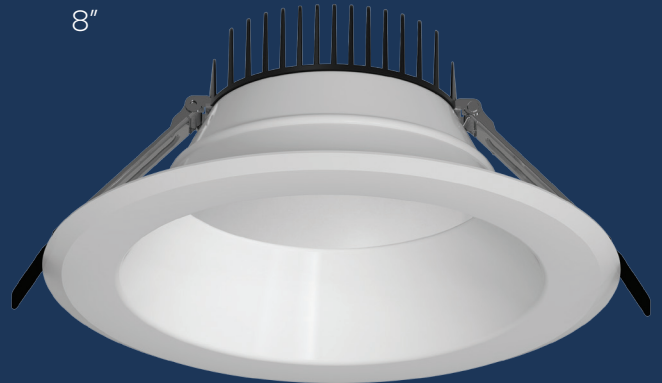
LR23980

6"



LR23981

8"



LR23982



COLOR SELECTABLE

2700K 3000K 3500K 4000K 5000K

WATTAGE
SELECTABLE

3 OPTIONS

VERY
HIGH
OUTPUT

DUAL
DIMMING
TRIAC
0-10V

IC
RATED

*SELECT MODELS

WET
LOCATION
RATED

120-
277V

5
YEAR
WARRANTY



LR23979

LED/CDL3/VHO/3WO/5CCT/JB/UNV/DD



APERTURE	3"
DISTRIBUTION	FIXED
APPLICATION	NEW CONSTRUCTION/REMODEL

ELECTRICAL

POWER	9W/12W/15W - SELECTABLE
INPUT VOLTS	120-277V
INPUT CURRENT	140mA
FREQUENCY	50/60Hz
DIMMING TYPE	TRIAC/0-10V
DIMMING RANGE	10-100%
FEED WIRE GAUGE	22AWG
BREAKER SPECIFICATION *(15A @120V)	79pcs*

*Mathematically estimated value. Actual capacity may vary by breaker type and installation environment.

PHOTOMETRIC

COLOR CCT	2700K/3000K/3500K/4000K/5000K
CRI	90
LUMEN	900lm/1200lm/1500lm
EFFICACY	100lm/w
BEAM ANGLE	80°

CERTIFICATIONS & SAFETY

LR23979	UL, ENERGY STAR, TITLE 24
WET LOCATION	YES
IC RATED	YES
OPERATING TEMP.	-13°F to 104°F
COST/YR	\$ 1.80
WARRANTY	5 YR

MATERIAL & APPLICATION

HEAT SINK	ALUMINUM
TRIM	ALUMINUM
LENS	PC
CUTOUT	Ø3"
MOUNTING TYPE	RECESSED
AREA OF APPLICATION	RESIDENTIAL, COMMERCIAL
CEILING TYPE	DRYWALL, WOOD

DRIVER

	POWER	INPUT VOLTS	INPUT CURRENT	FREQUENCY	INPUT POWER	OUTPUT VOLTAGE	DIMENSIONS	KNOCKOUTS
INCLUDED DRIVER	9W/12W/15W	120V	140mA	50/60Hz	15W max	36V DC	6.49"L X 2.55"W X 1.29"H	4

MODEL	DESCRIPTION	EM POWER	INPUT VOLTS	INPUT CURRENT	FREQUENCY	INPUT POWER	OUTPUT VOLTAGE	RECHARGE TIME	EMERGENCY TIME
LR35126**	LED/EMR/15W/AC/SF/E	15	100-347V	100mA	50/60Hz	12W max	170V DC	24HR	90MINS

*AMBIENT TEMPERATURE: 41°F ~ 122°F

**SOLD SEPARATELY

DIMENSIONS

CUTOUT: Ø3"

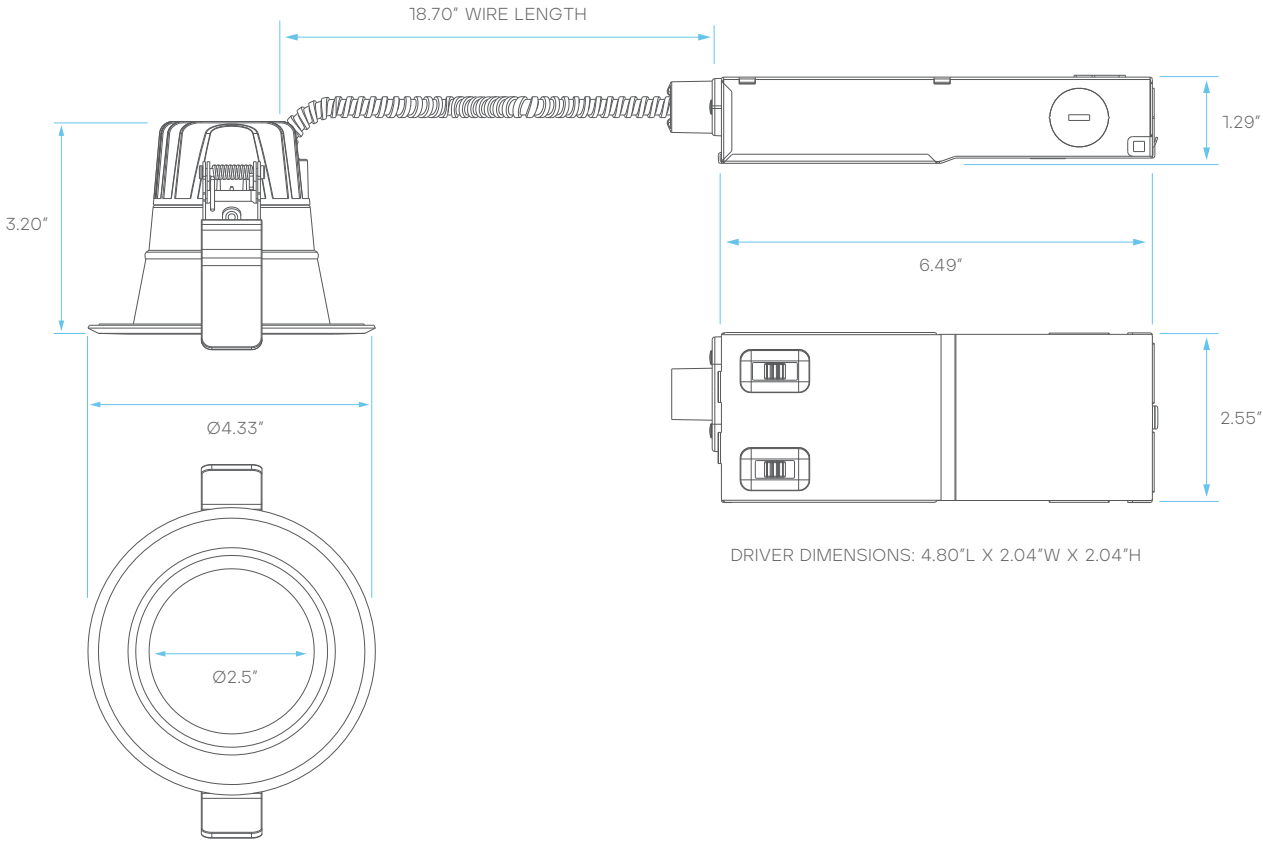
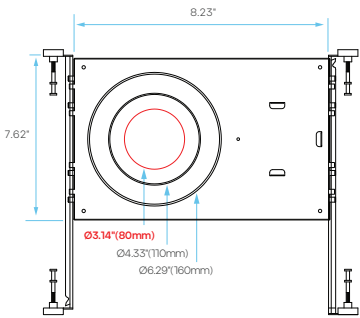


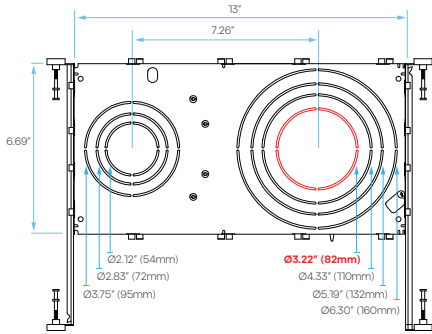
PLATE COMPATIBILITY*

*SOLD SEPARATELY

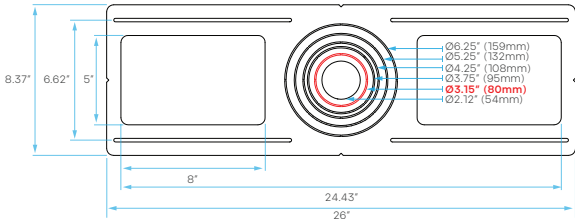
LR41002
KNOCKOUT
0



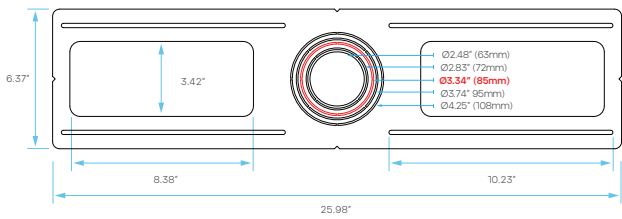
LR41010
KNOCKOUT
R0



LR41006
KNOCKOUT
1



LR41011
KNOCKOUT
2



LR23980

LED/CDL4/VHO/3WO/5CCT/JB/UNV/DD



APERTURE	4"
DISTRIBUTION	FIXED
APPLICATION	NEW CONSTRUCTION/REMODEL

ELECTRICAL

POWER	12W/16W/20W - SELECTABLE
INPUT VOLTS	120-277V
INPUT CURRENT	190mA
FREQUENCY	50/60Hz
DIMMING TYPE	TRIAC/0-10V
DIMMING RANGE	10-100%
FEED WIRE GAUGE	22AWG
BREAKER SPECIFICATION (15A @120V)	59pcs*

*Mathematically estimated value. Actual capacity may vary by breaker type and installation environment.

PHOTOMETRIC

COLOR CCT	2700K/3000K/3500K/4000K/5000K
CRI	90
LUMEN	1200lm/1600lm/2000lm
EFFICACY	100lm/w
BEAM ANGLE	80°

CERTIFICATIONS & SAFETY

LR23980	UL, ENERGY STAR, TITLE 24
WET LOCATION	YES
IC RATED	YES
OPERATING TEMP.	-13°F to 104°F
COST/YR	\$ 2.40
WARRANTY	5 YR

MATERIAL & APPLICATION

HEAT SINK	ALUMINUM
TRIM	ALUMINUM
LENS	PC
CUTOUT	Ø4.125"
MOUNTING TYPE	RECESSED
AREA OF APPLICATION	RESIDENTIAL, COMMERCIAL
CEILING TYPE	DRYWALL, WOOD

DRIVER

	POWER	INPUT VOLTS	INPUT CURRENT	FREQUENCY	INPUT POWER	OUTPUT VOLTAGE	DIMENSIONS	KNOCKOUTS
INCLUDED DRIVER	12W/16W/20W	120-277V	190mA	50/60Hz	20W max	36V DC	6.49"L X 2.55"W X 1.29"H	4

MODEL	DESCRIPTION	EM POWER	INPUT VOLTS	INPUT CURRENT	FREQUENCY	INPUT POWER	OUTPUT VOLTAGE	RECHARGE TIME	EMERGENCY TIME
LR35126**	LED/EMR/15W/AC/SF/E	15	100-347V	100mA	50/60Hz	12W max	170V DC	24HR	90MINS

*AMBIENT TEMPERATURE: 41°F ~ 122°F

**SOLD SEPARATELY

DIMENSIONS

CUTOUT: Ø4.125"

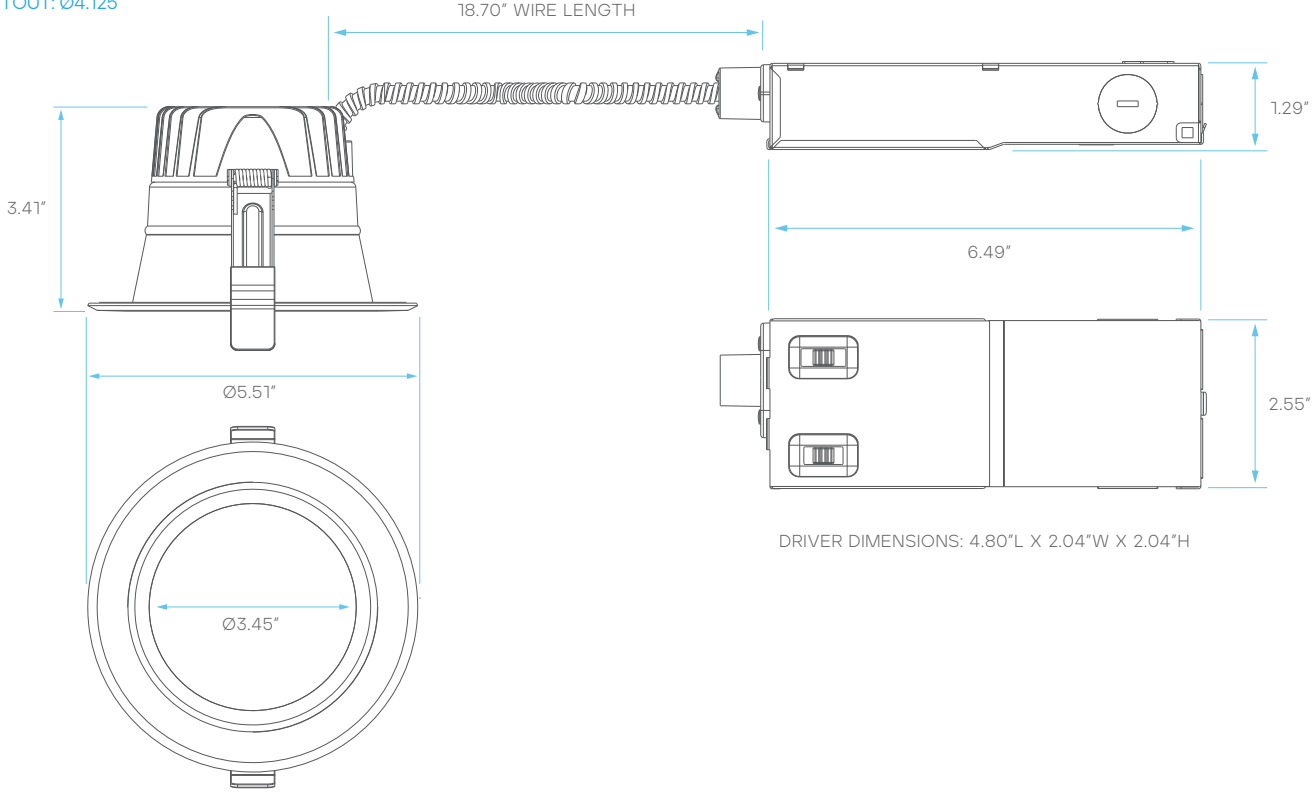
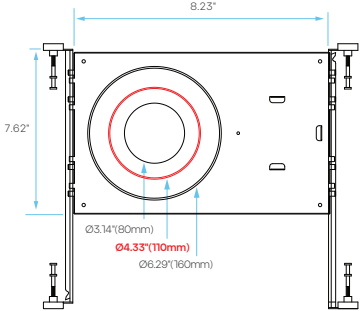


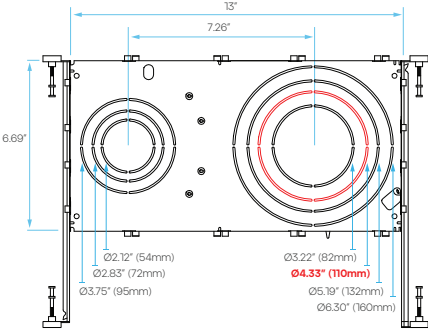
PLATE COMPATIBILITY*

*SOLD SEPARATELY

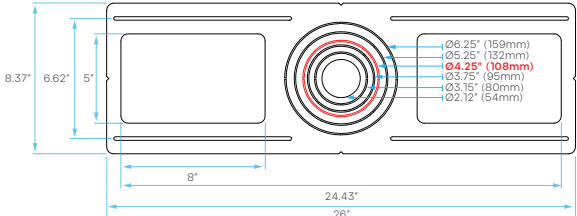
LR41002
KNOCKOUT
1



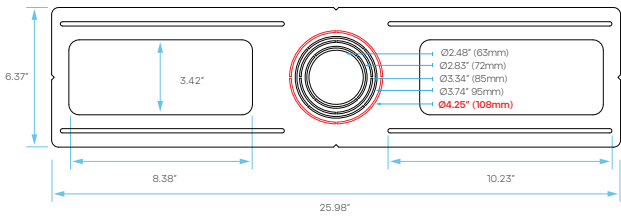
LR41010
KNOCKOUT
R1



LR41006
KNOCKOUT
3



LR41011
KNOCKOUT
4



LR23981

LED/CDL6/VHO/3WO/5CCT/JB/UNV/DD



APERTURE	6"
DISTRIBUTION	FIXED
APPLICATION	NEW CONSTRUCTION/REMODEL

ELECTRICAL

POWER	30W/40W/50W - SELECTABLE
INPUT VOLTS	120-277V
INPUT CURRENT	470mA
FREQUENCY	50/60Hz
DIMMING TYPE	TRIAC/0-10V
DIMMING RANGE	10-100%
FEED WIRE GAUGE	22AWG
BREAKER SPECIFICATION *(15A @120V)	23pcs*

*Mathematically estimated value. Actual capacity may vary by breaker type and installation environment.

PHOTOMETRIC

COLOR CCT	2700K/3000K/3500K/4000K/5000K
CRI	90
LUMEN	3000lm/4000lm/5000lm
EFFICACY	100lm/w
BEAM ANGLE	80°

CERTIFICATIONS & SAFETY

LR23981	UL, ENERGY STAR, TITLE 24
WET LOCATION	YES
IC RATED	NO
OPERATING TEMP.	-13°F to 104°F
COST/YR	\$ 6.00
WARRANTY	5 YR

MATERIAL & APPLICATION

HEAT SINK	ALUMINUM
TRIM	ALUMINUM
LENS	PC
CUTOUT	Ø6"
MOUNTING TYPE	RECESSED
AREA OF APPLICATION	RESIDENTIAL, COMMERCIAL
CEILING TYPE	DRYWALL, WOOD

DRIVER

	POWER	INPUT VOLTS	INPUT CURRENT	FREQUENCY	INPUT POWER	OUTPUT VOLTAGE	DIMENSIONS	KNOCKOUTS
INCLUDED DRIVER	30W/40W/50W	120-277V	470mA	50/60Hz	50W max	36V DC	6.63"L X 3.85"W X 1.48"H	4

MODEL	DESCRIPTION	EM POWER	INPUT VOLTS	INPUT CURRENT	FREQUENCY	INPUT POWER	OUTPUT VOLTAGE	RECHARGE TIME	EMERGENCY TIME
LR35126**	LED/EMR/15W/AC/SF/E	15	100-347V	100mA	50/60Hz	12W max	170V DC	24HR	90MINS

*AMBIENT TEMPERATURE: 41°F ~ 122°F

**SOLD SEPARATELY

DIMENSIONS

CUTOUT: Ø6"

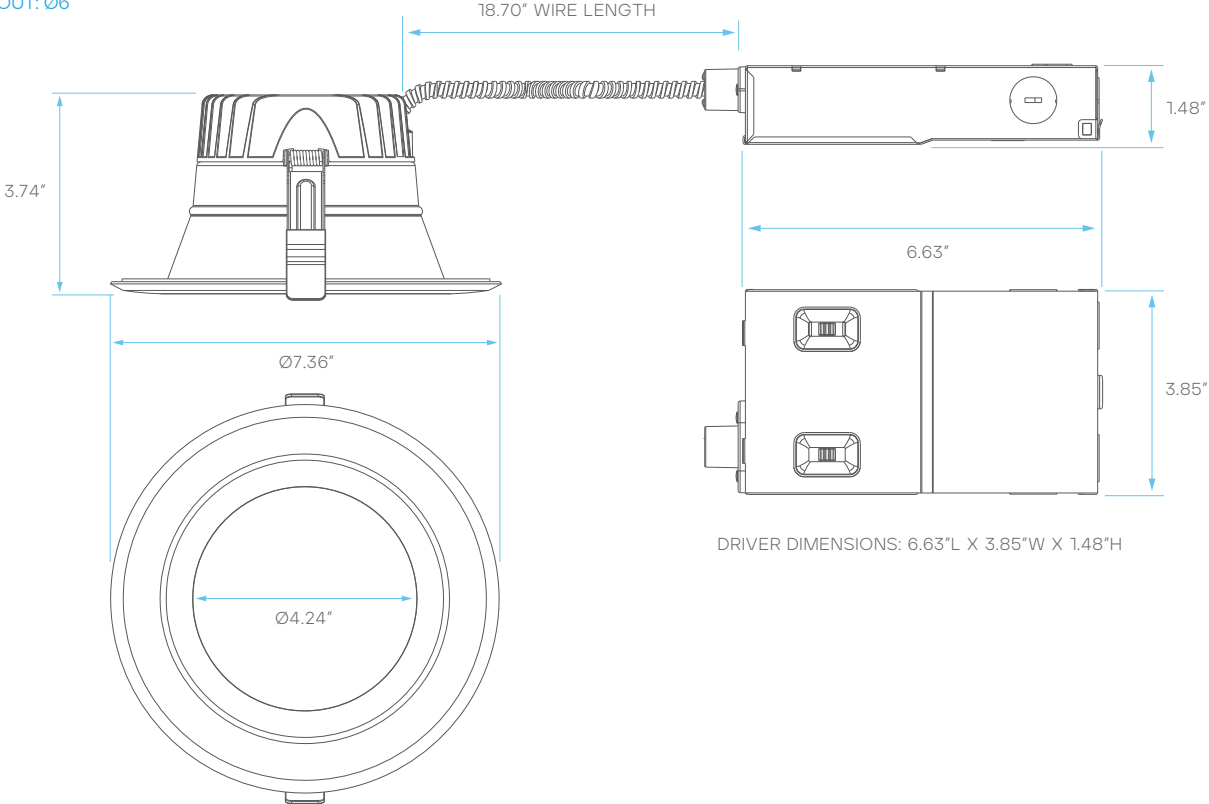
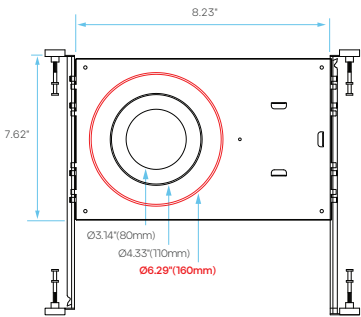


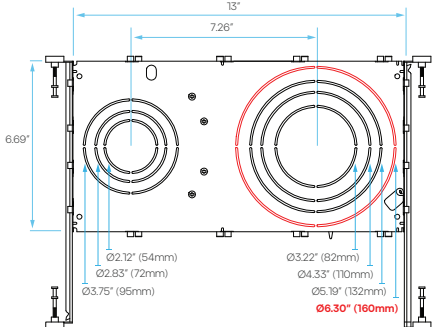
PLATE COMPATIBILITY*

*SOLD SEPARATELY

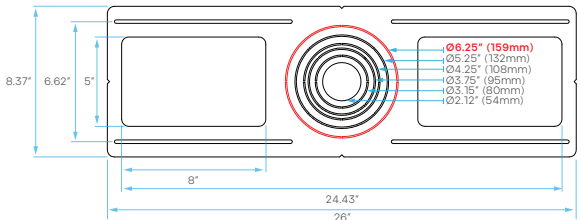
**LR41002
KNOCKOUT
2**



**LR41010
KNOCKOUT
R3**



**LR41006
KNOCKOUT
5**



LR23982

LED/CDL8/VHO/3WO/5CCT/JB/UNV/DD



APERTURE	8"
DISTRIBUTION	FIXED
APPLICATION	NEW CONSTRUCTION/REMODEL

ELECTRICAL

POWER	50W/65W/80W - SELECTABLE
INPUT VOLTS	120-277V
INPUT CURRENT	750mA
FREQUENCY	50/60Hz
DIMMING TYPE	TRIAC/0-10V
DIMMING RANGE	10-100%
FEED WIRE GAUGE	22AWG
BREAKER SPECIFICATION *(15A @120V)	14pcs*

*Mathematically estimated value. Actual capacity may vary by breaker type and installation environment.

PHOTOMETRIC

COLOR CCT	2700K/3000K/3500K/4000K/5000K
CRI	90
LUMEN	5000lm/6500lm/8000lm
EFFICACY	100lm/w
BEAM ANGLE	80°

CERTIFICATIONS & SAFETY

LR23982	UL, ENERGY STAR, TITLE 24
WET LOCATION	YES
IC RATED	NO
OPERATING TEMP.	-13°F to 104°F
COST/YR	\$ 9.63
WARRANTY	5 YR

MATERIAL & APPLICATION

HEAT SINK	ALUMINUM
TRIM	ALUMINUM
LENS	PC
CUTOUT	Ø8.06"
MOUNTING TYPE	RECESSED
AREA OF APPLICATION	RESIDENTIAL, COMMERCIAL
CEILING TYPE	DRYWALL, WOOD

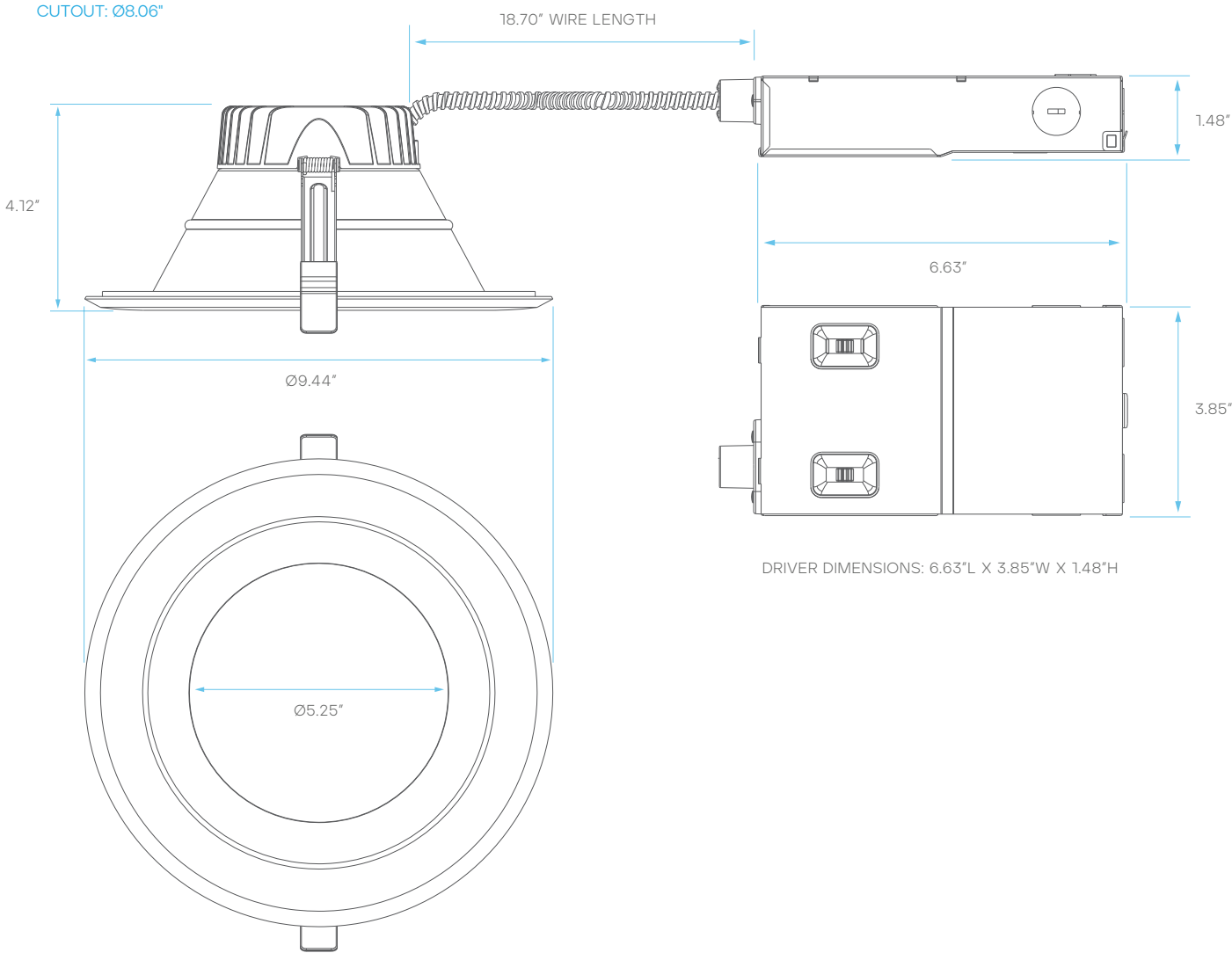
DRIVER

	POWER	INPUT VOLTS	INPUT CURRENT	FREQUENCY	INPUT POWER	OUTPUT VOLTAGE	DIMENSIONS	KNOCKOUTS
INCLUDED DRIVER	50W/65W/80W	120-277V	750mA	50/60Hz	80W max	36V DC	6.63"L X 3.85"W X 1.48"H	4

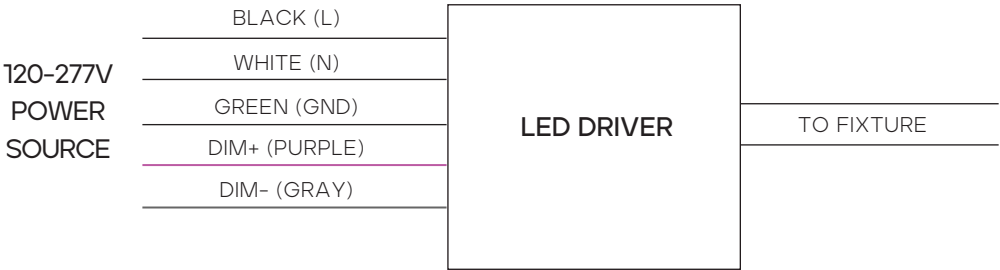
MODEL	DESCRIPTION	EM POWER	INPUT VOLTS	INPUT CURRENT	FREQUENCY	INPUT POWER	OUTPUT VOLTAGE	RECHARGE TIME	EMERGENCY TIME
LR35126**	LED/EMR/15W/AC/SF/E	15	100-347V	100mA	50/60Hz	12W max	170V DC	24HR	90MINS

*AMBIENT TEMPERATURE: 41°F ~ 122°F
*SOLD SEPARATELY

DIMENSIONS



WIRING DIAGRAM



SUGGESTED COMPATIBLE DIMMER*

TRIAC DIMMING*

LUTRON	CTCL-153P
	DVCL-153PDH
	DVCL-153P
LEVITON	6672
	6674
PASS & SEYMOUR	HCL453PTCCCV6

0-10V DIMMING*

LUTRON	DIVA - DVTV
	DIVA - NFTV
	NOVA T - NTFTV
LEVITON	ILLUMATECH - IP7
LIGHTOLIER CONTROLS	ZP600FAM120
PHILIPS	SR1200ZTUNV

*Dimmer performance may vary based on load, wiring, and installation conditions. Inclusion on this chart does not guarantee compatibility for every installation, and omission does not indicate incompatibility. Refer to the dimmer manufacturer's installation instructions and verify minimum load requirements to avoid field issues.

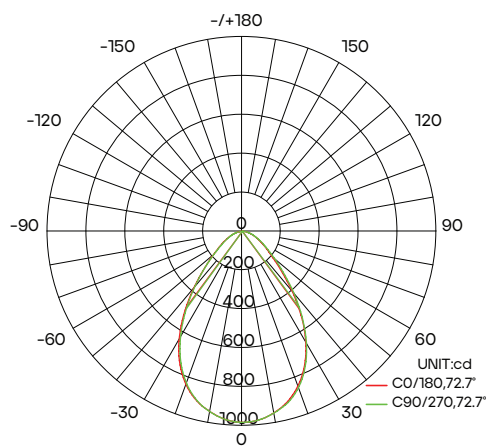
PACKAGING

MODEL	STYLE	INNER BOX DIMENSIONS	MASTER CARTON DIMENSIONS	CASE
LR23979	INNER BOX + MASTER CARTON	9.25" X 5.82" X 6.06"	12.12" X 9.53" X 12.76"	4
LR23980	INNER BOX + MASTER CARTON	9.25" X 6.88" X 6.29"	14.17" X 9.52" X 13.22"	4
LR23981	INNER BOX + MASTER CARTON	9.25" X 7.87" X 6.69"	16.14" X 9.52" X 14.01"	4
LR23982	INNER BOX + MASTER CARTON	11.41" X 9.84" X 7.16"	20.15" X 11.73" X 14.96"	4

LuxiFlow™ PHOTOMETRICS

Luxrite® Luxiflow® tool is for informational purposes only, it is not intended to provide lighting or electrical advise.

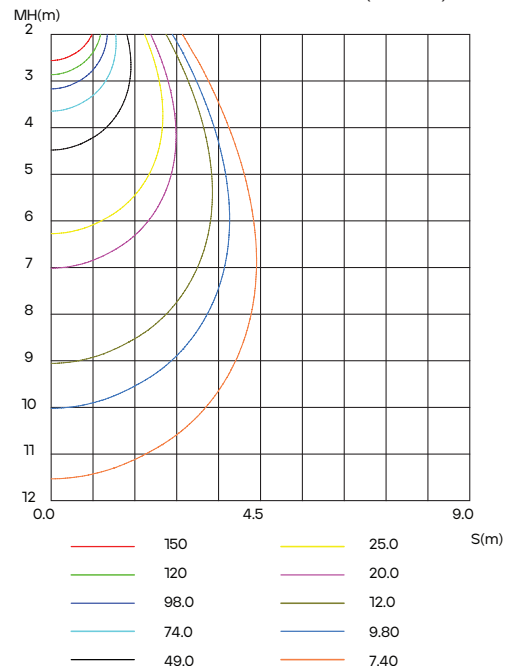
LUMINOUS INTENSITY DISTRIBUTION DIAGRAM



AVERAGE BEAM ANGLE(50%): 72.7 DEG

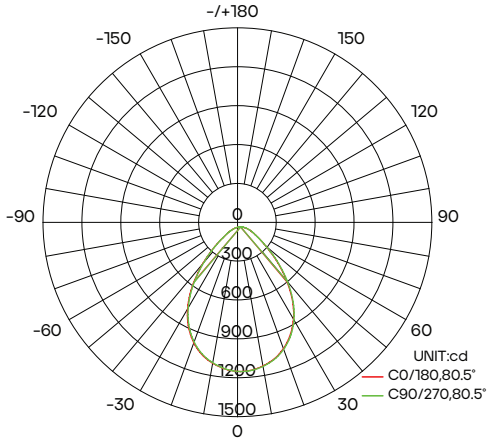
*DIAGRAM SHOWING LR23979 AT 2700K - 15W

C0 PLANE ISOLUX DIAGRAM (UNIT:lx)



Luxrite® Luxiflow® tool is for informational purposes only, it is not intended to provide lighting or electrical advise.

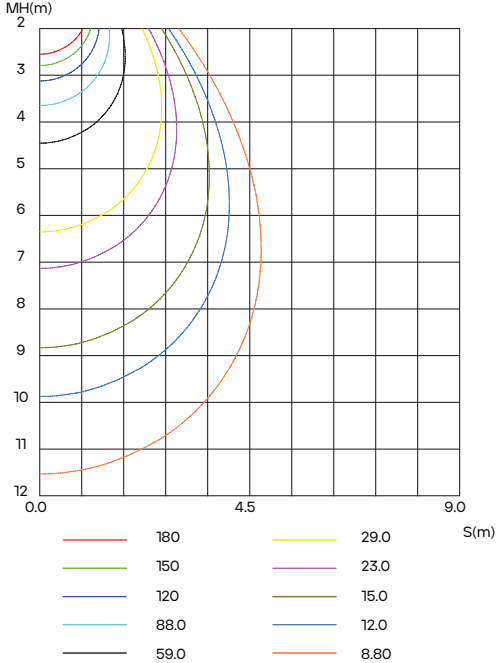
LUMINOUS INTENSITY DISTRIBUTION DIAGRAM



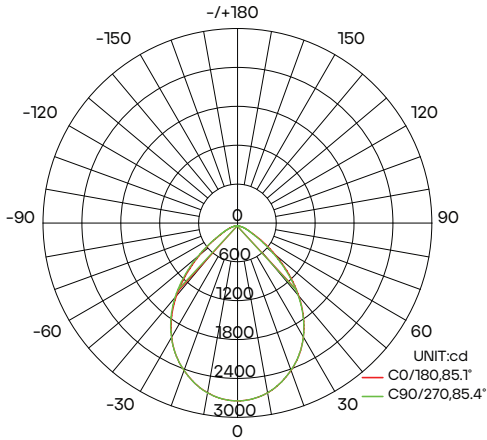
AVERAGE BEAM ANGLE(50%): 80.5 DEG

*DIAGRAM SHOWING LR23980 AT 2700K - 20W

C0 PLANE ISOLUX DIAGRAM (UNIT:lx)



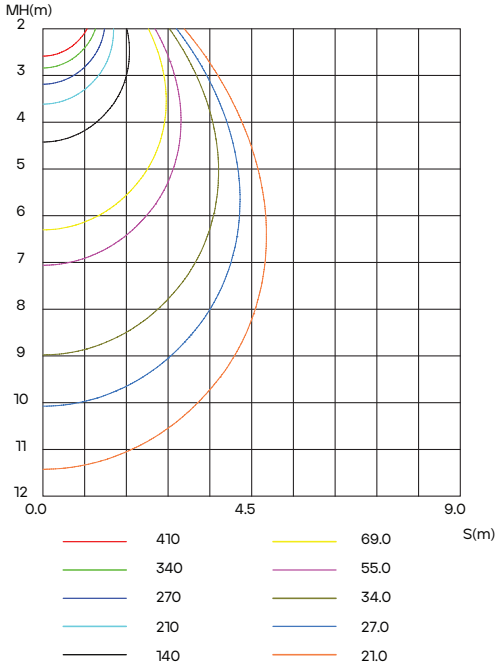
LUMINOUS INTENSITY DISTRIBUTION DIAGRAM



AVERAGE BEAM ANGLE(50%): 85.3 DEG

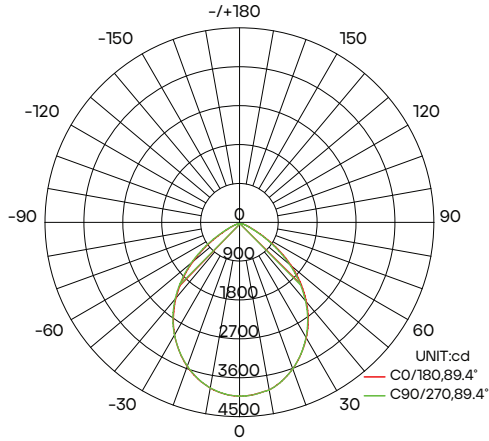
*DIAGRAM SHOWING LR23981 AT 2700K - 50W

C0 PLANE ISOLUX DIAGRAM (UNIT:lx)



Luxrite® Luxiflow® tool is for informational purposes only, it is not intended to provide lighting or electrical advice.

LUMINOUS INTENSITY DISTRIBUTION DIAGRAM



AVERAGE BEAM ANGLE(50%): 89.4 DEG

*DIAGRAM SHOWING LR23982 AT 2700K - 80W

C0 PLANE ISOLUX DIAGRAM (UNIT:lx)

