

OUC4

LED Canopy Light

Product Description

The OUC4 LED Canopy offers high performance in an economical and practical design. The OUC4 achieves even light distribution using a prismatic, frosted lens that is UV- and fire-resistant while its die-cast aluminum housing has convenient knockouts for easy J-Box, surface mount, or pendant installations. The OUC4 is an efficient outdoor canopy lighting solution for exterior ceilings or for parking garages, carports, covered walkways, or other commercial spaces, and is equipped with an integrated heat sink and a Type V distribution precision lens. The OUC4 offers two models with selectable wattages (75W/60W/45W), (120W/96W/72W) and selectable CCT (3000K/4000K/5000K). Factory mounted photocell standard.

Construction

- High-quality, die-cast aluminum housing with integrated heat sink
- Easy to use mounting brackets allows for quick installation to J-Boxes (standard)
- ½" knockouts for conduit wiring or sensor additions
- UV- and fire-resistant lens
- Stainless steel hardware

Optical System

- High performance prismatic lens that is frosted for even distribution
- Utilizes advanced LED technology with selectable CCT of 3000K, 4000K and 5000K
- CRI 70+

Electrical

- Thermally-protected, high-efficiency driver
- Operating temperature rating of -40° to 113°F (-40°C to 45°C)
- 4KV surge protection standard
- Input voltage of 120-277VAC with power factor >0.9
- Selectable wattages with 75 and 120 watt max
- Driver delivers full-range dimming from 0 - 10VDC
- Factory mounted photocell standard (can be disabled in field)

Finish

- Fine-textured, UV-stabilized powder coat in bronze and white finish

Mounting and installation

- Varied installation methods:
 - J-Box (hinged mounting plate and an EVA stopper provided)
 - Ceiling/conduit (1/2" threaded openings on sides)
 - Pendant (3/4" provided by others)
- For installations where power surge may be possible, NICOR recommends installing additional surge protection at the electrical distribution panel

Listings

- cULus 1598 Listed for wet locations
- DLC 5.1 Premium Listed
- IP65 rated
- RoHS Compliant
- Meets FCC Part 15, Subpart B, Class A standards for conducted and radiated emissions
- TM-21 Reported L70 life >54,000 hours
- LM-79, LM-80 testing performed in accordance with IESNA standards

Warranty

- 5-year limited system warranty standard
- Warranty does not cover product failure due to an overvoltage event (power surge)

Project

Catalog

Type

Date



OUC4
LED Canopy
Wattage Selectable
CCT Selectable



Ordering

Ordering Information

Example: OUC4075SUNVSBZ

Series	Version	Wattage (Selectable)	Voltage	CCTs Selectable	Finish	Controls
OUC	4	075S (75/60/45W)	UNV (120-277)	S (3/4/5000K)	BZ (Bronze)	_Blank (Photocell) ¹
		120S (120/96/72W)			WH (White)	S (12V 3.5mm Socket)

Specifications and dimensions subject to change without notice.

1. Photocell is a standard feature of OUC4. Please refer to the installation instructions for turning off the photocell switch.

Performance Data

Performance Data						
Model Number	CCT	Lumens	Watts	Lumens/Watt		
OUC4075SUNVS	3000	5527	45	123		
	4000	5859		130		
	5000	5638		125		
	OUC120SUNVS	3000	7370	60	123	
		4000	7812		130	
		5000	7517		125	
		OUC120SUNVS	3000	9212	75	123
			4000	9765		131
			5000	9396		126
OUC120SUNVS	3000		8800	72	122	
	4000		9328		130	
	5000		8976		125	
	OUC120SUNVS		3000	11734	96	122
			4000	12438		130
			5000	11968		125
		OUC120SUNVS	3000	14667	120	124
			4000	15547		131
			5000	14960		126

Motion Sensors - Accessories

Low Voltage Adjustable Arm	H12VADJARM1WH
Low Voltage Infrared Motion Sensor	H12VSENSORPIR
Microwave Motion Sensor	H12VSENSORMW
Remote Control for H12V Sensors	H12VREMOTE

Recommended 0-10VDC Dimmers*

Lutron NTSTV
Lutron DVSTV
Cooper SF10P
Legrand RH4FBL3PW

*Not a complete list. Check compatibility before installation.

Both arm and sensor must be purchased in order to have sensor face the proper direction.



H12VADJARM1WH



H12VSENSORPIR



H12VSENSORMW

Photometric Data

OUC4075 3000K

Input Voltage (VAC)	120
System Level Power (W)	74.5
120V Current (A)	0.62
277V Current (A)	0.28
Delivered Lumens (Lm)	9712
System Efficacy (Lm/W)	122.8
Correlated Color Temp (K)	3086
Color Rendering Index (CRI)	>70
Horizontal Beam Angle (°)	145.8
Spacing Criteria (0-180)	1.62
BUG Rating	B3-U3-G3

Intensity Summary (Candle Power)

Angle	Mean CP
0	1927
5	1979
15	2084
25	2170
35	2143
45	1954
55	1716
65	1495
75	1052
85	452
90	126

Zonal Lumen Summary

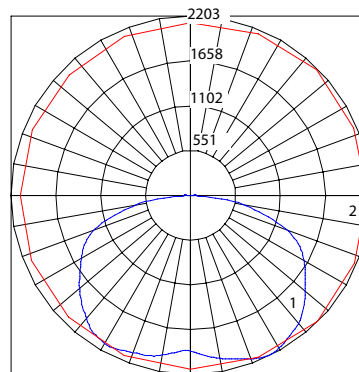
Zone	Lumens	% of Luminaire
0-30	1771	19.2%
0-40	3079	33.4%
0-60	6054	65.7%
0-90	8975	97.4%
90-180	238	2.6%
0-180	9212	100%

CCT Data Multiplier

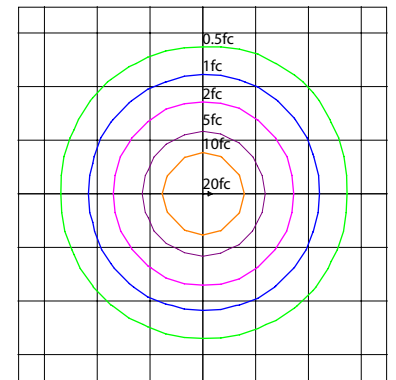
3000K	1.0
4000K	1.06
5000K	1.02

Wattage Multiplier

45	0.60
60	0.80



1 - Vertical Plane Through Horizontal Angle
2 - Horizontal Cone Through Vertical Angle



10' Mounting Height (1 square = 100 sq ft)

Cone of Light Tabulation

Mounted height (Feet)	Footcandles Beam Center	Diameter (Feet)
4	121.1	26.0
6	54.2	39.0
8	30.7	52.0
10	19.8	65.0
12	13.8	78.0
14	10.2	91.0
16	7.8	104.0

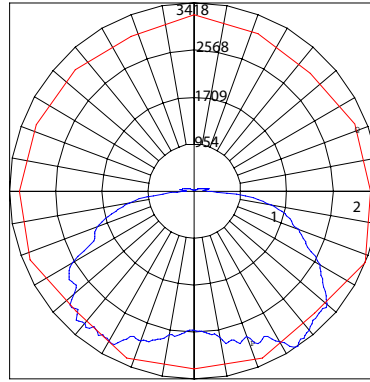
Photometric Data

OUC4120 3000K

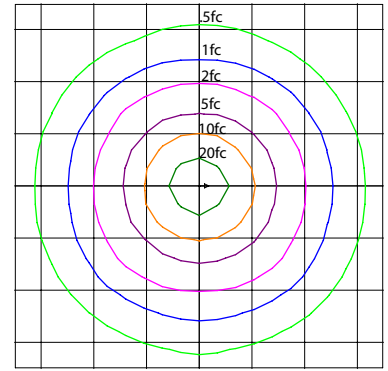
Input Voltage (VAC)	120
System Level Power (W)	118.3
120V Current (A)	0.99
277V Current (A)	0.43
Delivered Lumens (Lm)	14667
System Efficacy (Lm/W)	124
Correlated Color Temp (K)	3086
Color Rendering Index (CRI)	>70
Horizontal Beam Angle (°)	141.9
Spacing Criteria (0-180)	1.88
BUG Rating	B3-U3-G3

Intensity Summary (Candle Power)

Angle	Mean CP
0	1344
5	1400
15	1422
25	1497
35	1608
45	1527
55	1147
65	827
75	475
85	175
90	0



1 - Vertical Plane Through Horizontal Angle
2 - Horizontal Cone Through Vertical Angle



10' Mounting Height (1 square = 100 sq ft)

CCT Data Multiplier

3000K	1.0
4000K	1.06
5000K	1.02

Wattage Multiplier

72	0.60
96	0.80
25	0.56
35	0.78

Zonal Lumen Summary

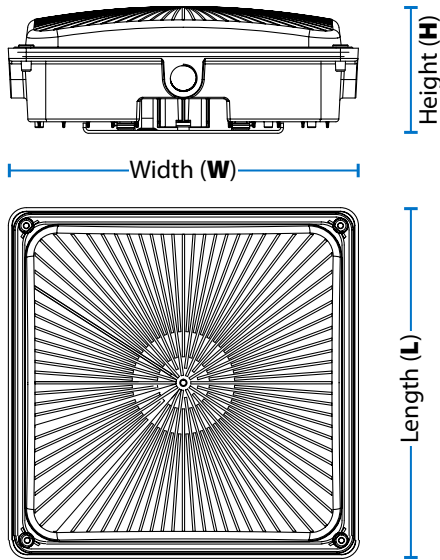
Zone	Lumens	% of Luminaire
0-30	2419	16.5%
0-40	4411	30.1%
0-60	9308	63.5%
0-90	14095	96.1%
90-180	571	3.9%
0-180	14667	100%

Cone of Light Tabulation

Mounted height (Feet)	Footcandles Beam Center	Diameter (Feet)
4	159.0	23.2
6	70.8	34.8
8	40.0	46.3
10	25.8	57.9
12	18.0	69.5
14	13.3	81.1
16	10.2	92.7

Fixture tested per LM-79-08. Photometric data is of the performance of a representative fixture. Results may vary in the field.

Dimensions



	75W	120W
Fixture Length (L)	9.6 in (243 mm)	12.4 in (314 mm)
Fixture Width (W)	9.6 in (243 mm)	12.4 in (314 mm)
Fixture Height (H)	3.46 in (87.9 mm)	4.1 in (130 mm)
Fixture Weight	4.1 lbs (1.86 Kg)	7.07 lbs (3.21 Kg)

This device complies with part 15 of the FCC Rules. Operation is subject to the following two conditions: (1) This device may not cause harmful interference, and (2) this device must accept any interference received, including interference that may cause undesired operation.

NOTE: This equipment has been tested and found to comply with the limits for a Class A digital device, pursuant to part 15 of the FCC Rules. These limits are designed to provide reasonable protection against harmful interference in a residential installation. This equipment generates, uses and can radiate radio frequency energy and, if not installed and used in accordance with the instructions, may cause harmful interference to radio communications. However, there is no guarantee that interference will not occur in a particular installation. If this equipment does cause harmful interference to radio or television reception, which can be determined by turning the equipment off and on, the user is encouraged to try to correct the interference by one or more of the following measures:

- Reorient or relocate the receiving antenna.
- Increase the separation between the equipment and receiver.
- Connect the equipment into an outlet on a circuit different from that to which the receiver is connected.
- Consult the dealer or an experienced radio/TV technician for help.