

DESCRIPTION

The DDX Series is a 120V, surface mount, LED dome downlight that provides project flexibility with field-selectable color temperature (2700K, 3000K, 3500K, 4000K, and 5000K CCT). The DDX is available in 4" and offers 830 lumens. The twist-lock diffuser and included hardware allow for easy installation directly to a junction box. The DDX can also seamlessly retrofit 4" cans with optional friction or torsion clips and E26 medium screw-base Edison connector. This fixture is Energy Star certified and California Title 24 JA8 compliant. This low-profile, attractive surface mount downlight is ideally suited for residential, retail, light commercial and other interior spaces that utilize a traditional downlight or surface mount product.

SPECIFICATIONS

Construction:

- Stamped steel construction in a white finish
- Twist-lock polycarbonate diffused lens produces soft uniform illumination and can easily be removed for product's easy installation
- Low profile construction – only 0.95"

Optics/LEDs:

- 4" 10W unit, up to 830 lumens
- 110° beam angle
- CCT Selectable between 5 CCTs; 2700K, 3000K, 3500K, 4000K & 5000K CCT
- L70 > 100,000 hours
- CRI ≥90

Electrical:

- 120VAC, 60Hz Input
- CCT Switch located under the lens
- TRIAC & ELV Dimming down to 10%
- Power factor > 0.90

Installation:

- Easily mounts to 4" junction box with included hardware
- Twist off lens and install directly to intended surface
- CCT switch easily accessible under the lens
- Optional mounting accessories available for retrofit applications
 - 4" Kit includes friction clips and medium E26 Edison base (DDX-FRK-4)

Testing & Compliance:

- cETLus Listed for Wet Locations
- Certified to the high efficacy requirements of California Title 24 JA8 2016-2022
- Energy Star certified
- Operating temperature: -20°C to 40°C (-4°F to 104°F)

Warranty:

- Five Year Warranty (Terms and Conditions Apply)

Model: _____ Date: _____
 Accessories: _____
 Job Name: _____ Type: _____



Specs at a Glance

Diameter (Nominal)	4"
Wattage (W)*	10
Lumens (lm)	830
CCT (K)	2700K-3000K-3500K-4000K-5000K Switchable
CRI	≥90
Input Voltage	120VAC, 50/60Hz
Operating Temp	-20°C to 40°C (-4°F to 104°F)
Certifications	ETL Listed for Wet Locations, Energy Star, California Title 24 JA8
Warranty	5 Years

* Nominal Wattage, tested at 4000K CCT. See performance table for details.

Note: Environment and application will affect actual performance. Typical values and 25°C (77°F) used for testing. Specifications subject to change without notice.

ORDERING INFORMATION (Example: DDX-D4-10-C5)

Model	Description
DDX-D4-10-C5	LED Surface Mount Dome Downlight, 4", 10W, 120VAC, Color Selectable 2700K/3000K/3500K/4000K/5000K CCT, White Finish

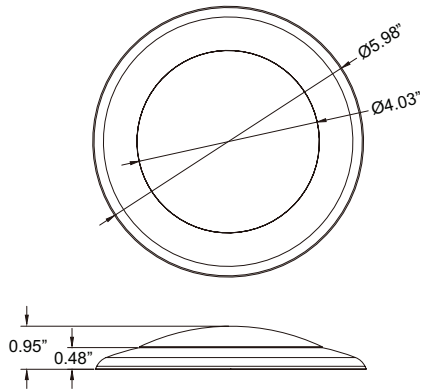
Accessories (Field installed, order as separate line item)

DDX-FRK-4 = 4" Retrofit Kit, (3) Friction Mounting Clips, (3) Mounting Screws, (1) E26 Base (for DDX-D4-10-C5 only)

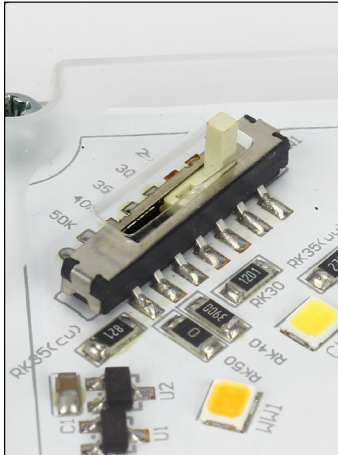
PERFORMANCE DATA

Model	Wattage	CCT	Lumens	LPW
DDX-D4-10-C5 (2700K)	10W	2700K	800	80
DDX-D4-10-C5 (3000K)	10W	3000K	820	82
DDX-D4-10-C5 (3500K)	10W	3500K	830	83
DDX-D4-10-C5 (4000K)	10W	4000K	830	83
DDX-D4-10-C5 (5000K)	10W	5000K	820	82

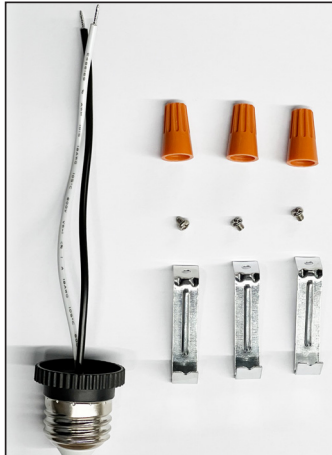
DIMENSIONS



CCT SWITCH DETAIL



MOUNTING ACCESSORIES



MOUNTING DETAIL

