

NXRCFX SERIES

FX ROOM CONTROLLER

DATE: _____ LOCATION: _____

TYPE: _____ PROJECT: _____

CATALOG #: _____

FEATURES

- Single or dual relay versions for ON/OFF or bi-level control
- Approved for use with controlled receptacles
- Single or dual 0-10V interface for full range dimming control
- FX bus enabled, allows for up to 32 room controllers per NX Zone Segment
- SmartPORT™ auto configuration support for NX Occupancy Sensors, Daylight Sensors and Smart Wall Stations
- Intelligently and automatically responds to sensors and switches in the most efficient manner
- Schedules are held in the devices themselves with integral Time Clock requiring no additional devices for scheduling
- Advanced configuration, power metering, and control through either NX Area Controller or NX Lighting Controls mobile app



SPECIFICATIONS

CONSTRUCTION

- Housing: GSM UL Rated 94 HB Plastic
- Gray
- 4 oz. (113.4g)
- 5.75" (146.05MM) L x 3.85" (97.79MM) W x 1.30" (33.02MM) H
- Complies with requirements for use in a plenum area
- Plenum rated for external junction box mounting

MOUNTING

- Mounts directly to an external junction box through an extended ½" chase nipple

ELECTRICAL

Input

- 120/277/347VAC, 20A Max, 50/60 Hz
- Single feed connection regardless of one or two relays

Output¹

- 20A, Tungsten, 120VAC only
- 20A, Magnetic Ballast
- 16A, Electronic Ballast
- 1 H.P. Motor @120V, 3/4 H.P. @277V; 1/2 H.P.@347V

Low Voltage Ports

- Class 2

ELECTRICAL (CONTINUED)

Low Voltage Ports (Continued)

- 24VDC, 250mA MAX (all outputs combined)
- RS485 digital communication

Standby Power (W)

- 120VAC: 1.2W
- 277VAC: 1.5W
- 347VAC: 1.5W

Dimming

- Class 2/Class 1
- Installation as Class 1 requires 600 volt insulation on dimming conductors sharing a conduit with line voltage conductors

Power Metering

- NXRC devices are factory calibrated to provide power metering accuracy of +/- 5% (Rating assumes standard load within specified voltage and temperature rating for NXRC; all values provided in Watts)¹

OPERATING ENVIRONMENT

- Operating temperature: 32° to 104°F (0° to 40°C)
- Relative humidity (non-condensing): 0% to 95%

CERTIFICATIONS

- Conforms with UL916 and Certified to CAN/CSA C22.2 No. 205-M1983
- IC Approved
- Title 24 compliance
- This product meets federal procurement law requirements under the Buy American Act (FAR 52.225-9) and Trade Agreements Act (FAR 52.225-11). See [Buy America\(n\) Solutions](#).

WARRANTY

- 5 year limited warranty

Notes:

- 1 For (2) relay models the maximum combined output of both relays: 20A

NXRCFX SERIES

FX ROOM CONTROLLER

ORDERING GUIDE

Example: NXRCFX2-1RD-UNV

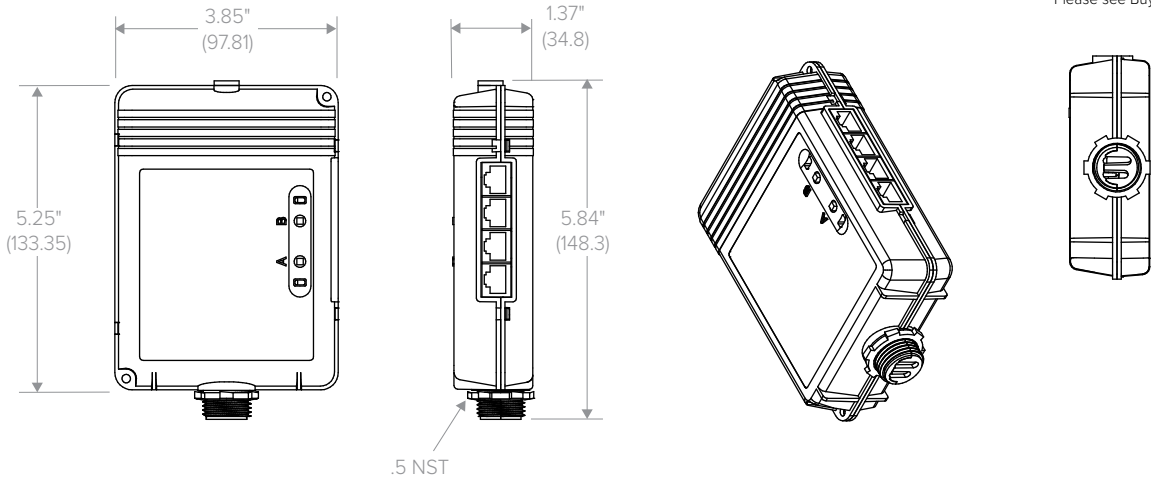
CATALOG #

NXRCFX2-2RD	UNV	
Model	Voltage	BAA/TAA*
NXRCFX2-1RD NX Room Controller, FX Bus Compatible, 1 SPST Switched, One 0-10VDC Dimming Output	UNV 120/277/347 VAC	Blank Standard Product * See Buy American Solutions below
NXRCFX2-2RD NX Room Controller, FX Bus Compatible, 2 SPST Switched, Two 0-10VDC Dimming Output		

*Buy American Solutions	
BAA	TAA
NXRCFX2-2RD-UNV-U	NXRCFX-2RD-UNV-T ¹
NXRCFX2-1RD-UNV-U	NXRCFX-1RD-UNV-T ¹

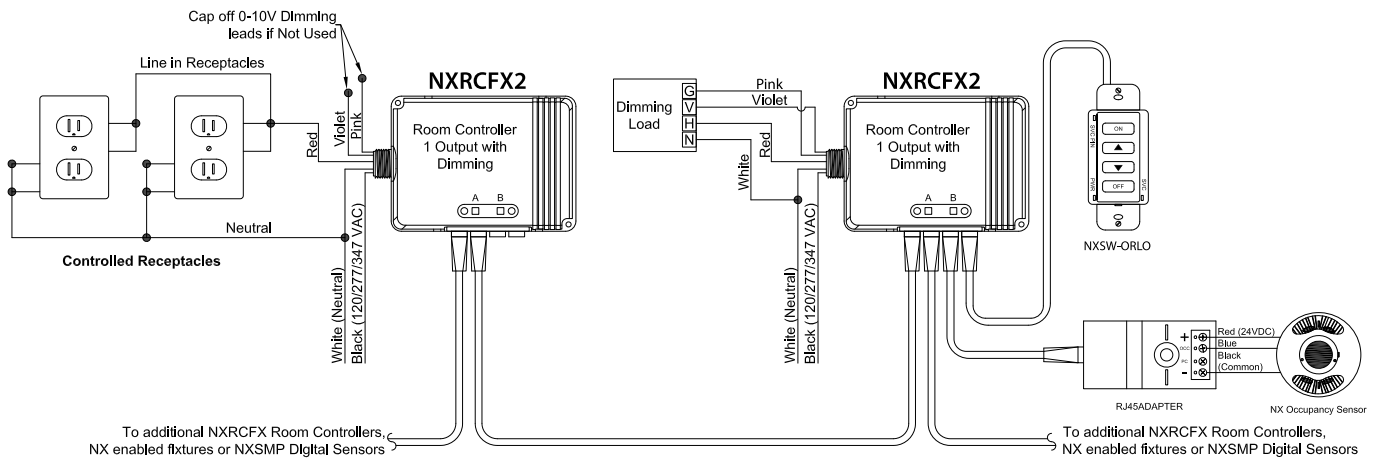
Notes:
 1 Base model number is different
 *Please see Buy American Solutions table above

DIMENSIONS



ADDITIONAL INFORMATION

Wiring Diagrams



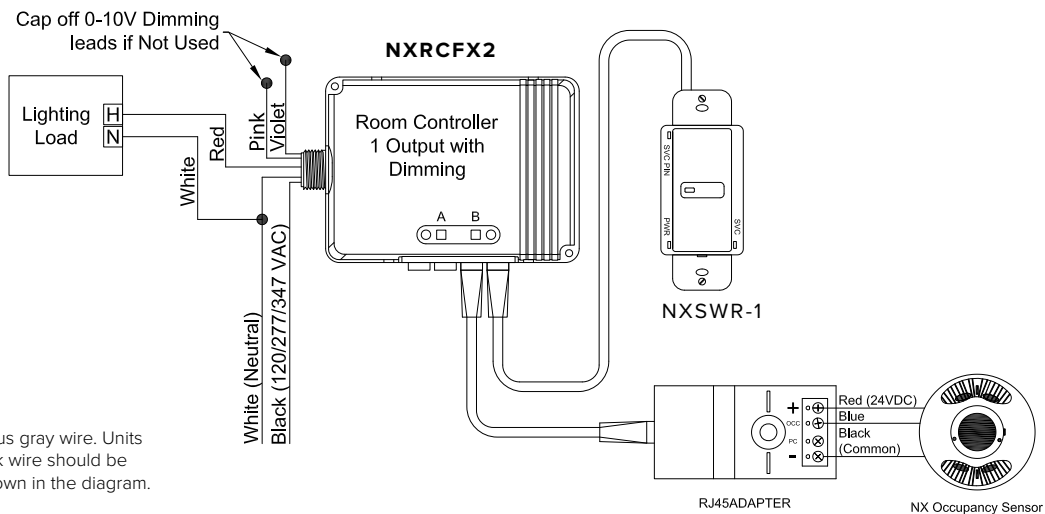
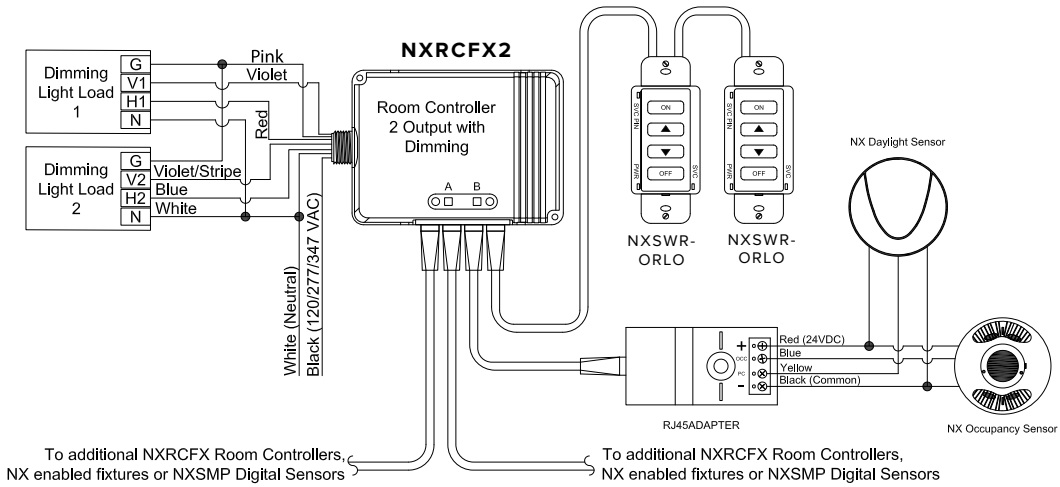
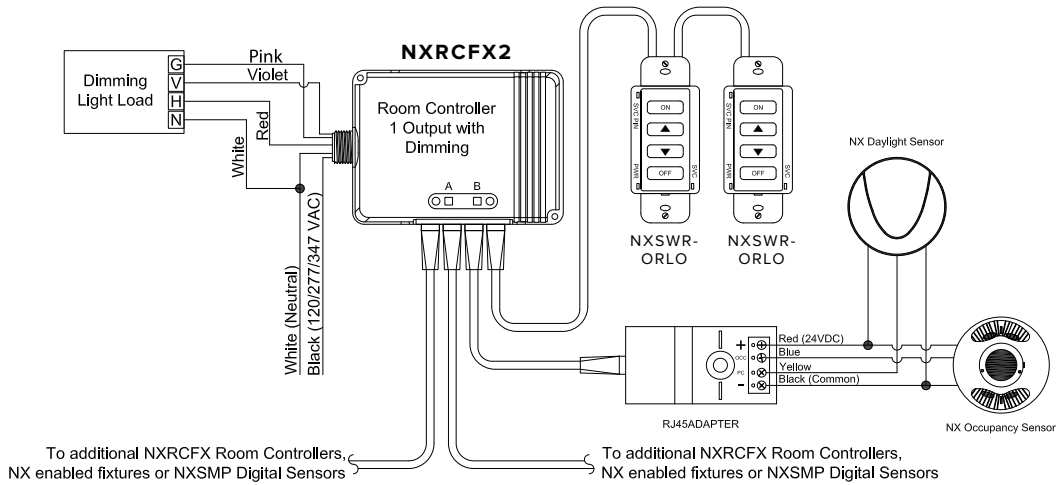
Pink wire replaces previous gray wire. Units with a gray instead of pink wire should be wired as the pink wire shown in the diagram.

NXRCFX SERIES

FX ROOM CONTROLLER

ADDITIONAL INFORMATION (CONTINUED)

Wiring Diagrams (Continued)



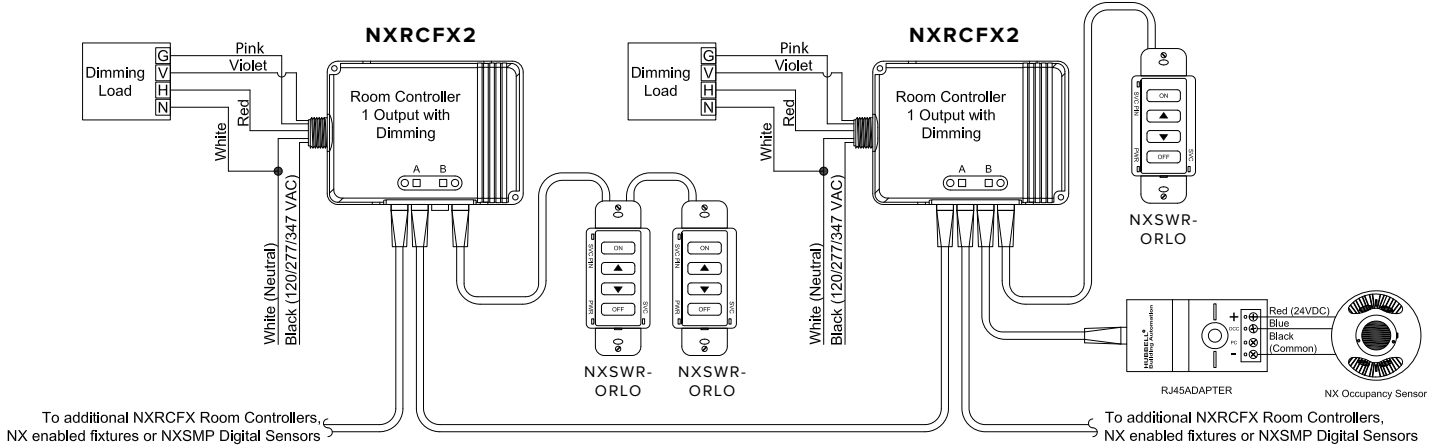
Pink wire replaces previous gray wire. Units with a gray instead of pink wire should be wired as the pink wire shown in the diagram.

NXRCFX SERIES

FX ROOM CONTROLLER

ADDITIONAL INFORMATION (CONTINUED)

Wiring Diagrams (Continued)



Pink wire replaces previous gray wire. Units with a gray instead of pink wire should be wired as the pink wire shown in the diagram.