

CAPELLA

Canopy, Track SW



992 blue



990 clear



991 amber



993 green



994 merlot

DESCRIPTION

- Bruck's European and American Artisan, mouth-blown glass is known throughout the world for its quality and beauty. Offered with cutting edge LED technology along with several mounting options, colors and finishes allow for a unique design. Most of Bruck's mini-pendant glass allows for easy screw-on/screw-off for a simple installation or design change. Pendant L₇₀ is 145,000 hours of operation.

HOUSING

- The hardware is offered in matte chrome or chrome finish and seconds as the pendant thermal heatsink.

MOUNTING

- The pendant can be mounted from Bruck's field adjustable canopy. The standard overall cable length of 59" can be field-cut or specified when ordering. Overall cable length is measured and begins from top of canopy. See the decorative Junction Box Cover for open ceiling applications.

- Optional track mounting: Global Trac Systems, GEO track, ECO track / HALO® Power track, and Zonyx track. Overall cable length begins at the shoulder of the ECO/GEO adapter and the track center of the Zonyx adapter. Cable length measurement ends at the top of glass or to the mounting arms.

- Kevlar coated cable for easy cleaning, short circuit protection, no discoloration and fraying over time.

LISTING

- Listed to UL1598 and UL1574 (Suitable for dry locations only)
 - Listed to CSA C22.2 #250.0 and #9.0

PROJECT INFORMATION

JOB NAME		TYPE	
ORDERING CODE			



ORDERING CODE

LIGHT SOURCE	MLED ¹	standard white LED, 450 lm
CCT	30K 35K	3000K 3500K
CRI	90	90 CRI
SHADE COLOR	990 991 992 993 994	clear amber blue green merlot
FINISH	CH MC	chrome with clear braided cable matte chrome with clear braided cable
MOUNTING OPTIONS	P ² ECOBK ECOWH ECOMC GEOBK GEOWH GEOMC ZONMC	canopy pendant ECO/HALO black ECO/HALO white ECO/HALO matte chrome GEO black GEO white GEO matte chrome Zonyx matte chrome

ORDERING CODE

Follow the steps to specify your fixture, example:

MLED - 30K - 90 - 990 - MC - P

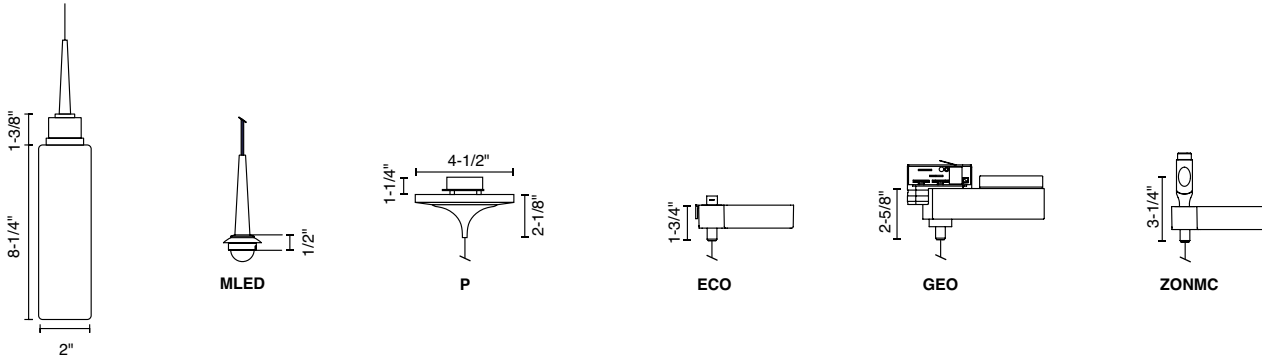
NOTES

1. For LED info see page 2.
2. Canopy matches the finish chosen.

*Cable info: Clear Cable. 0.120" outer diameter. Rated to 300V & 105°C.

JOB NAME		TYPE	
ORDERING CODE			

MOUNTING OPTIONS



Dimensions may vary slightly.

LIGHT SOURCE

Light Source	MLED - Static White LED
Performance	
LED	Cree XHP50
Lumens	450lm
CCT	3000K or 3500K
SDCM	2-Step MacAdam Ellipse
CRI	>90
Lumen Maintenance	L ₇₀ > 145,000 hours
Technical Specs	
Socket Listing	<ul style="list-style-type: none"> • Integrated LED module • ETLus Listed to UL1598, and UL1574 (Suitable for dry locations only) • cETL Listed to CSA C22.2 #250.0 and #9.0
Mounting	
Canopy	<ul style="list-style-type: none"> • 120-277Vac, 50/60Hz input • 7.0W, 7.5VA • Tri-mode dimming (Triac, ELV and 0-10V) • Mount to 3-1/2" to 4" round J-Box • Short circuit protection • Thermal protection
Line Voltage Track	<ul style="list-style-type: none"> • 120Vac, 50/60Hz input • 7.0W, 7.5VA • Triac and ELV phase dimming • Connects to line voltage adapter (ECO, GEO, Zonyx)
Warranty	
	<ul style="list-style-type: none"> • 5 year limited fixture warranty