

# LUXRITE®

## LED CANLESS - SPOTLIGHT MULTI-LIGHT ARCHITECTURAL



5-LIGHT  
LR32094



10-LIGHT  
LR32099



## LR32094 LEDML5/10W/5CCT/B/D



APERTURE	5-LIGHT
DISTRIBUTION	FIXED
APPLICATION	NEW CONSTRUCTION & REMODEL

### ELECTRICAL

POWER	11W
INPUT VOLTS	120V
INPUT CURRENT	100mA
FREQUENCY	50/60Hz
DIMMING TYPE	TRIAC
DIMMING RANGE	10-100%
FEED WIRE GAUGE	18AWG
BREAKER SPECIFICATION (15A @120V)	119pcs*

\*Mathematically estimated value. Actual capacity may vary by breaker type and installation environment.

### PHOTOMETRIC

COLOR CCT	2700K/3000K/3500K/4000K/5000K
CRI	90
LUMEN	600lm
EFFICACY	60lm/w
BEAM ANGLE	45°

### CERTIFICATIONS & SAFETY

LR32094	ETL
IP RATING	IP44
DAMP LOCATION	YES
IC RATED	YES
AIR TIGHT	YES
OPERATING TEMP.	-4°F to 104°F
COST/YR	\$ 1.20
WARRANTY	5 YR

### MATERIAL & APPLICATION

HEAT SINK	DIE-CAST ALUMINUM
TRIM	ALUMINUM
LENS	ACRYLIC
CUTOUT	5.47" X 1.41"
MOUNTING TYPE	RECESSED
AREA OF APPLICATION	RESIDENTIAL, COMMERCIAL
CEILING TYPE	DRYWALL, WOOD

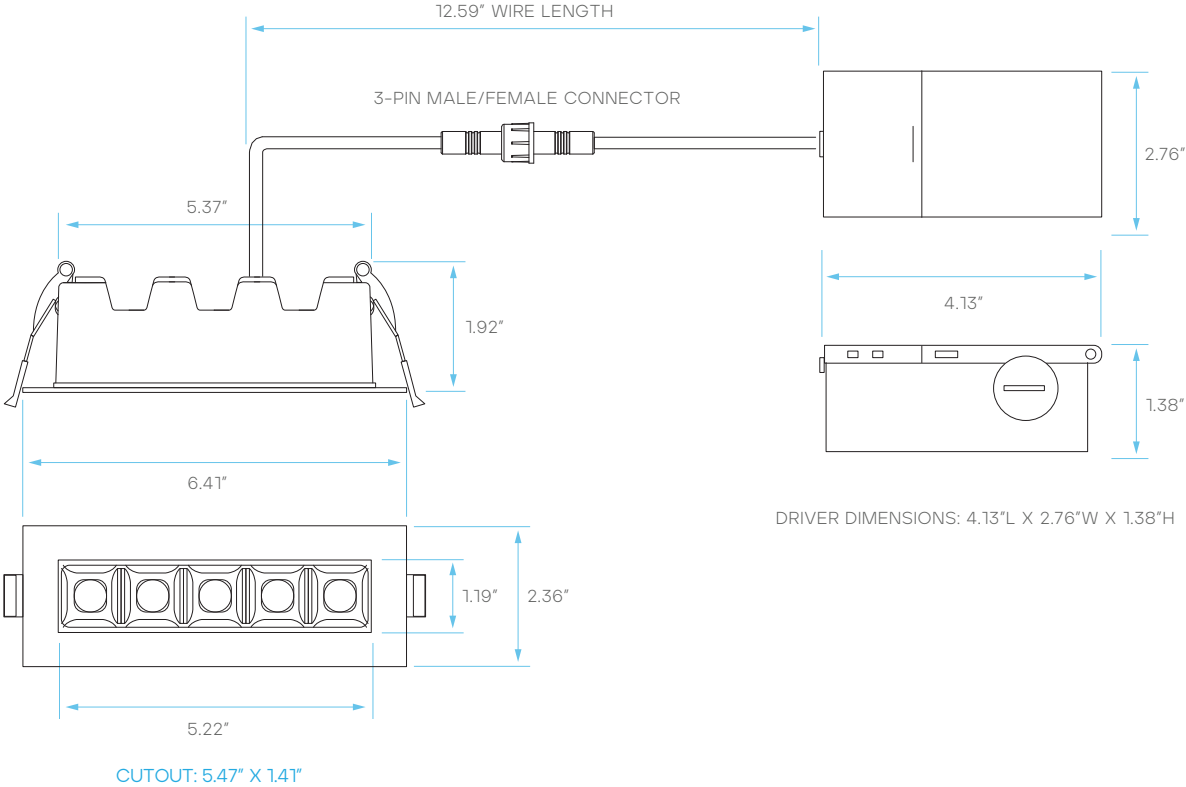
### DRIVER

	POWER	INPUT VOLTS	INPUT CURRENT	FREQUENCY	INPUT POWER	OUTPUT VOLTAGE	DIMENSIONS	KNOCKOUTS
INCLUDED DRIVER	11W	120V	100mA	50/60Hz	11W max	36V DC	4.13"L X 2.76"W X 1.38"H	2

MODEL	DESCRIPTION	EM POWER	INPUT VOLTS	INPUT CURRENT	FREQUENCY	INPUT POWER	OUTPUT VOLTAGE	RECHARGE TIME	EMERGENCY TIME
LR35126**	LED/EMR/15W/AC/SF/E	15	100-347V	100mA	50/60Hz	12W max	170V DC	24HR	90MINS

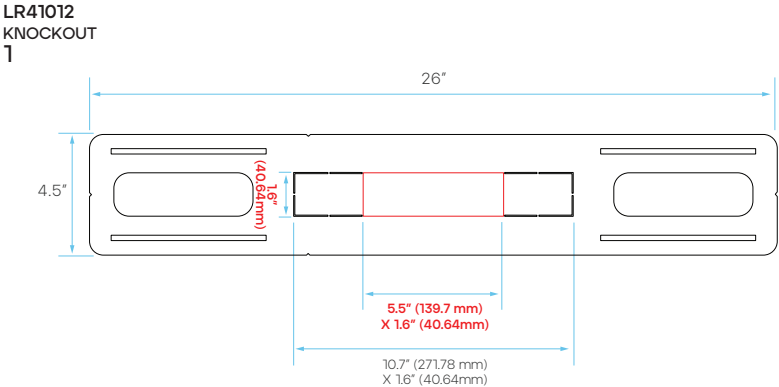
\*AMBIENT TEMPERATURE: 41°F ~ 122°F  
\*\*SOLD SEPARATELY

## DIMENSIONS



## PLATE COMPATIBILITY\*

\*SOLD SEPARATELY



## LR32099

LEDML10/18W/5CCT/B/D



APERTURE	10-LIGHT
DISTRIBUTION	FIXED
APPLICATION	NEW CONSTRUCTION & REMODEL

### ELECTRICAL

POWER	18W
INPUT VOLTS	120V
INPUT CURRENT	180mA
FREQUENCY	50/60Hz
DIMMING TYPE	TRIAC
DIMMING RANGE	10-100%
FEED WIRE GAUGE	18AWG
BREAKER SPECIFICATION (15A @120V)	66pcs*

\*Mathematically estimated value. Actual capacity may vary by breaker type and installation environment.

### PHOTOMETRIC

COLOR CCT	2700K/3000K/3500K/4000K/5000K
CRI	90
LUMEN	1200lm
EFFICACY	67lm/w
BEAM ANGLE	45°

### CERTIFICATIONS & SAFETY

LR32094	ETL
IP RATING	IP44
DAMP LOCATION	YES
IC RATED	YES
AIR TIGHT	YES
OPERATING TEMP.	-4°F to 104°F
COST/YR	\$ 2.17
WARRANTY	5 YR

### MATERIAL & APPLICATION

HEAT SINK	DIE-CAST ALUMINUM
TRIM	ALUMINUM
LENS	ACRYLIC
CUTOUT	10.7" X 1.41"
MOUNTING TYPE	RECESSED
AREA OF APPLICATION	RESIDENTIAL, COMMERCIAL
CEILING TYPE	DRYWALL, WOOD

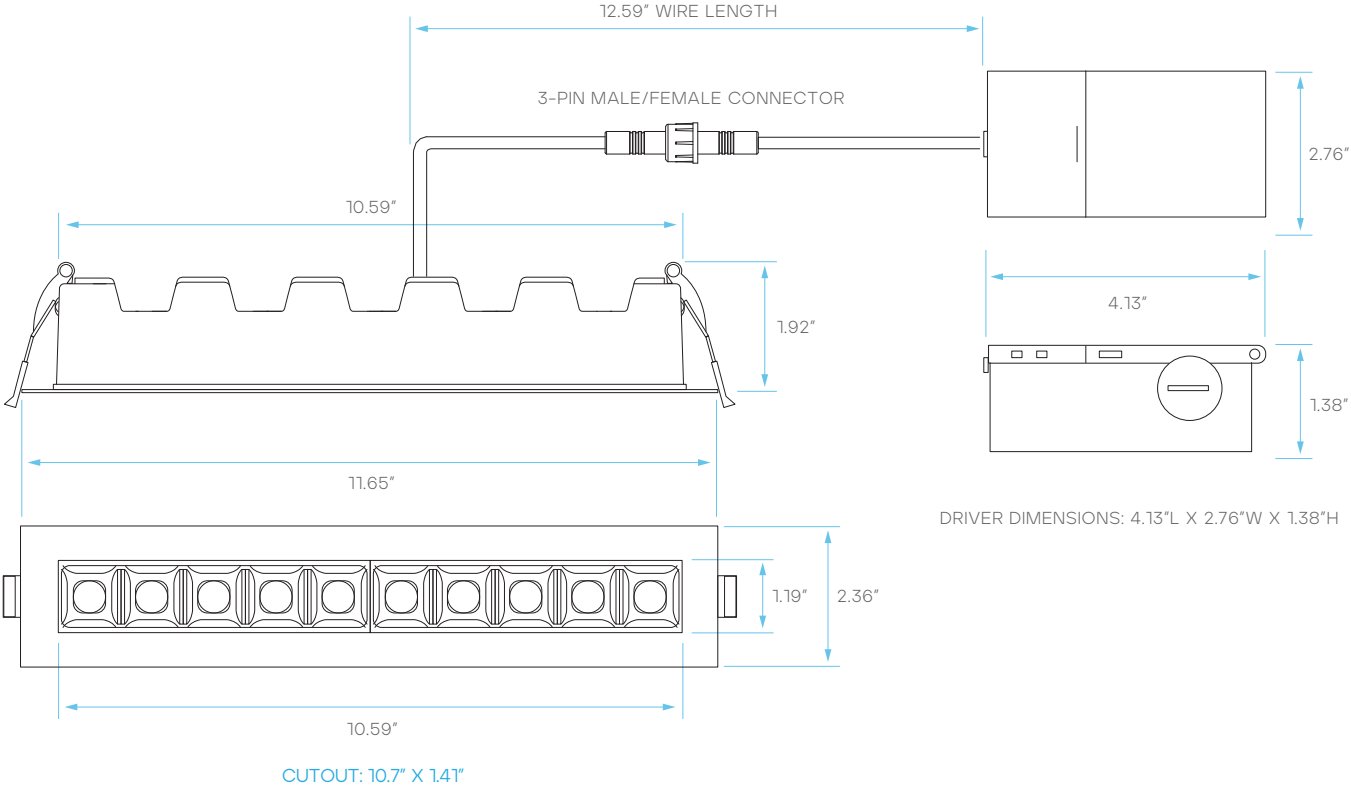
### DRIVER

	POWER	INPUT VOLTS	INPUT CURRENT	FREQUENCY	INPUT POWER	OUTPUT VOLTAGE	DIMENSIONS	KNOCKOUTS
INCLUDED DRIVER	18W	120V	180mA	50/60Hz	18W max	36V DC	4.13"L X 2.76"W X 1.38"H	2

MODEL	DESCRIPTION	EM POWER	INPUT VOLTS	INPUT CURRENT	FREQUENCY	INPUT POWER	OUTPUT VOLTAGE	RECHARGE TIME	EMERGENCY TIME
LR35126**	LED/EMR/15W/AC/SF/E	15	100-347V	100mA	50/60Hz	12W max	170V DC	24HR	90MINS

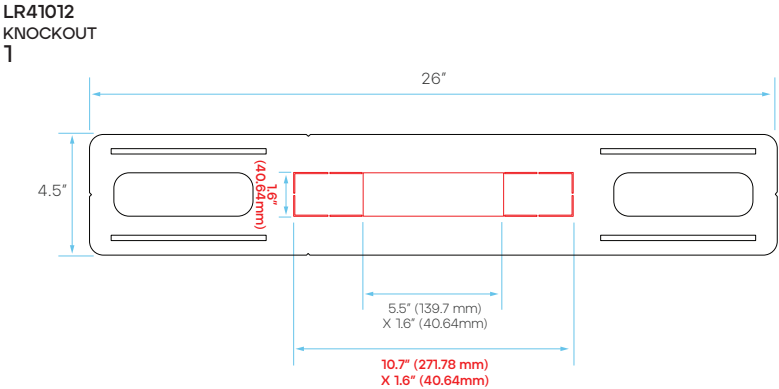
\*AMBIENT TEMPERATURE: 41°F ~ 122°F  
\*\*SOLD SEPARATELY

## DIMENSIONS

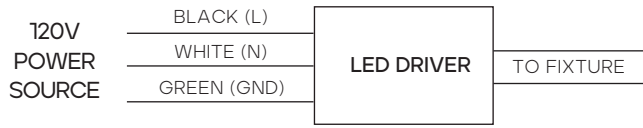


## PLATE COMPATIBILITY\*

\*SOLD SEPARATELY



## WIRING DIAGRAM



## SUGGESTED COMPATIBLE DIMMER\*

LUTRON	CTCL-153P
	DVCL-153PDH
LEVITON	DVCL-153P
	6672
PASS & SEYMOUR	6674
	HCL453PTCCCV6

\*Dimmer performance may vary based on load, wiring, and installation conditions. Inclusion on this chart does not guarantee compatibility for every installation, and omission does not indicate incompatibility. Refer to the dimmer manufacturer's installation instructions and verify minimum load requirements to avoid field issues.

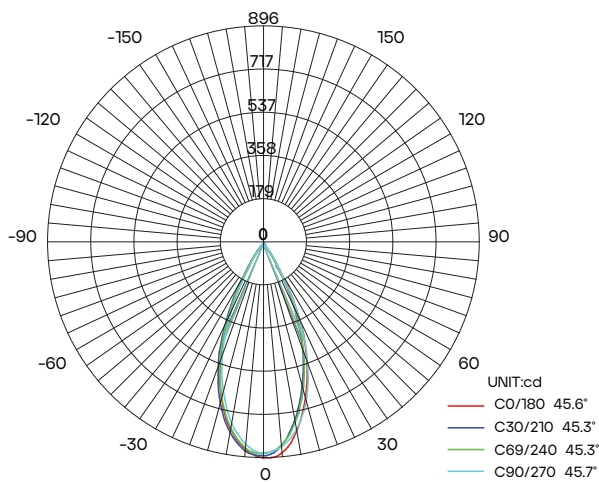
## PACKAGING

MODEL	STYLE	INNER BOX DIMENSIONS	MASTER CARTON DIMENSIONS	CASE
LR32094	INNER BOX + MASTER CARTON	7.87" X 6.53" X 2.67"	20.86" X 13" X 10.62"	20
LR32099	INNER BOX + MASTER CARTON	18.38" X 2.75" X 2.44"	18.5" X 10.23" X 11.02"	20

## LuxiFlow™ PHOTOMETRICS

Luxrite® LuxiFlow® tool is for informational purposes only, it is not intended to provide lighting or electrical advice.

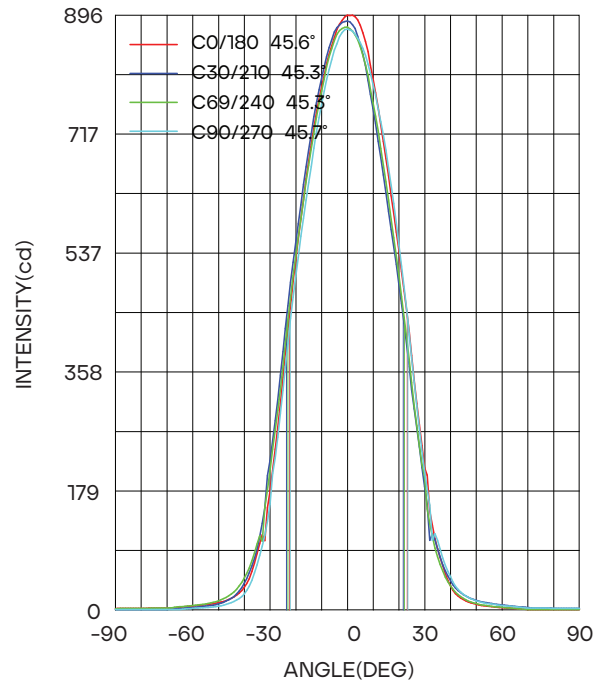
### LUMINOUS INTENSITY DISTRIBUTION DIAGRAM



AVERAGE BEAM ANGLE(50%): 45.5 DEG

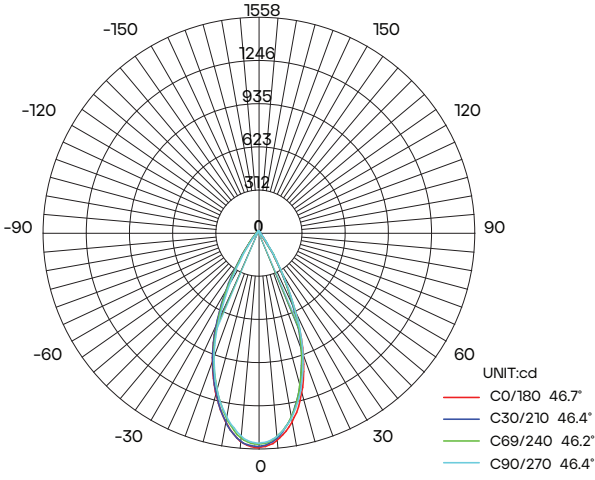
\*DIAGRAM SHOWING LR32094 AT 2700K

### LUMINOUS INTENSITY DISTRIBUTION



Luxrite® Luxiflow® tool is for informational purposes only, it is not intended to provide lighting or electrical advise.

### LUMINOUS INTENSITY DISTRIBUTION DIAGRAM



AVERAGE BEAM ANGLE(50%): 46.4 DEG

\*DIAGRAM SHOWING LR32099 AT 2700K

### LUMINOUS INTENSITY DISTRIBUTION

